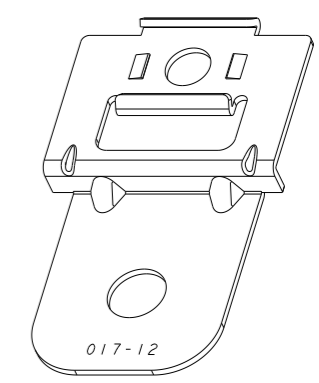
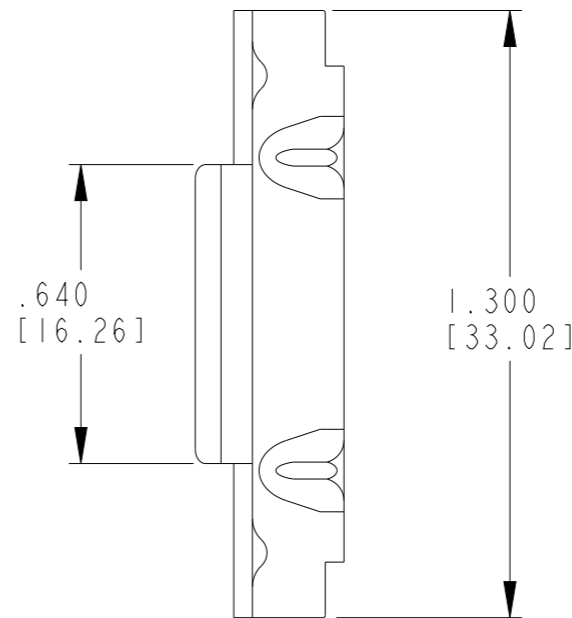
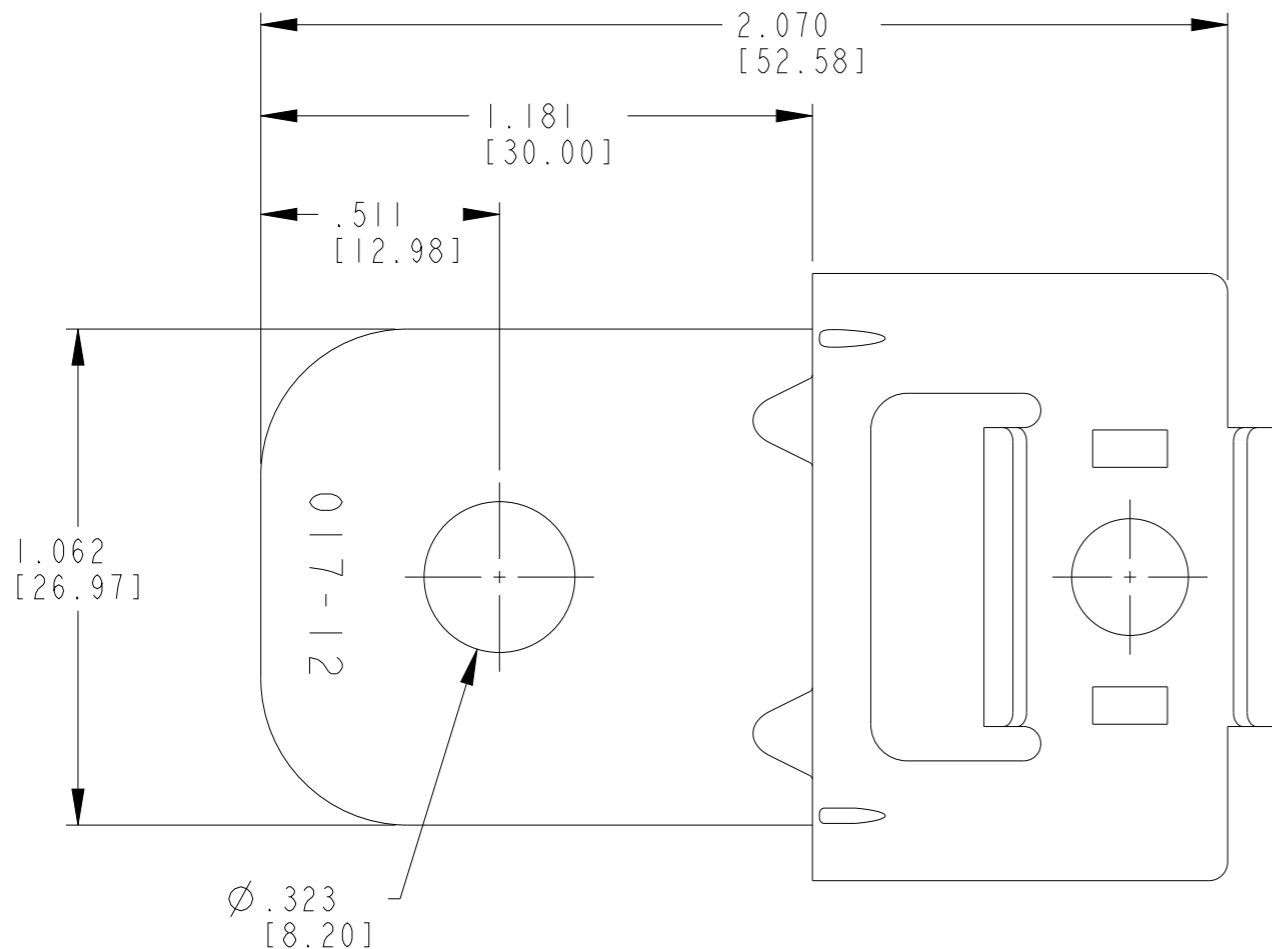
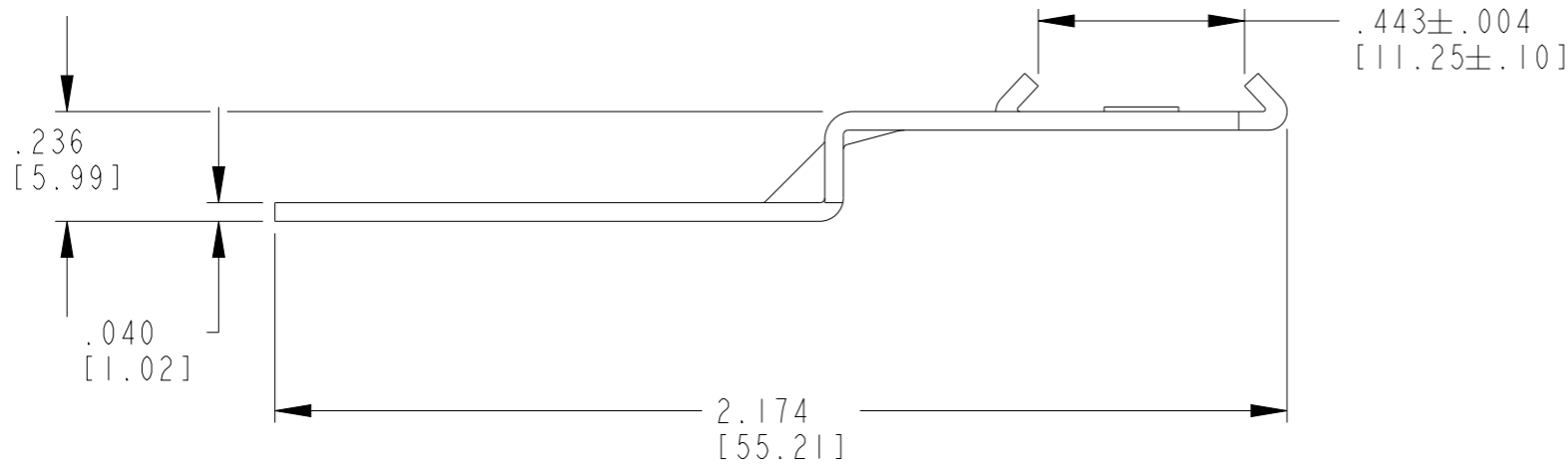


| LOC | DIST | REVISIONS                    |           |     |      |
|-----|------|------------------------------|-----------|-----|------|
| P   | LTR  | DESCRIPTION                  | DATE      | DWN | APVD |
|     | A2   | REVISED PER ECO-16-001711    | 23DEC2015 | DH  | DM   |
|     | A3   | REVISED PER PCN :E-19-003807 | 11MAR2019 | DD  | DM   |
|     | A4   | REVISED PER PCN E-21-001566  | 11FEB2021 | MK  | IG   |
|     | A5   | REVISED PER PCN-23-189980    | 16OCT2023 | GB  | CB   |



**3D VIEW**



- 3. PART IS IN ACCORDANCE WITH RoHS STANDARDS.
- 2. CLIP RETENTION FORCE SHALL BE 20 LBF [89] MINIMUM.
- 1. THIS PART MATES WITH ALL DT (EXCEPT 8P), DTM, DTP, DTHD, DTCE RECEPTACLES OR OTHER PARTS WITH THE CLIP RETENTION FEATURE.

(A5)

NOTES: UNLESS OTHERWISE SPECIFIED

|  |  |                                   |   |                    |
|--|--|-----------------------------------|---|--------------------|
| THIS DRAWING IS A CONTROLLED DOCUMENT. |  | DWN 26APR2013<br>JAIME C. APOSTOL | TE Connectivity   |                    |
| DIMENSIONS:<br>INCHES [mm]             |  | CHK 26APR2013<br>ROBERT MILLIGAN  |   |                    |
| TOLERANCES UNLESS OTHERWISE SPECIFIED: |  | APVD 26APR2013<br>ROBERT MILLIGAN | NAME<br>METAL CLIP, 8.2MM HOLE<br>SIDE MOUNTING BRACKET |                    |
|  |  | PRODUCT SPEC<br>-                 | APPLICATION SPEC<br>114-151009                          |                    |
| MATERIAL<br>STEEL                      |  | FINISH<br>ZINC                    | WEIGHT<br>12.6g   | RESTRICTED TO<br>- |
| CUSTOMER DRAWING                       |  |                                   | SIZE<br>A3  | CAGE CODE<br>4AFU8 |
| SCALE<br>NONE                          |  |                                   | DRAWING NO<br>C=1027-017-1200                           | SHEET 1 OF 1       |
|  |  |                                   | REV<br>A5   |                    |