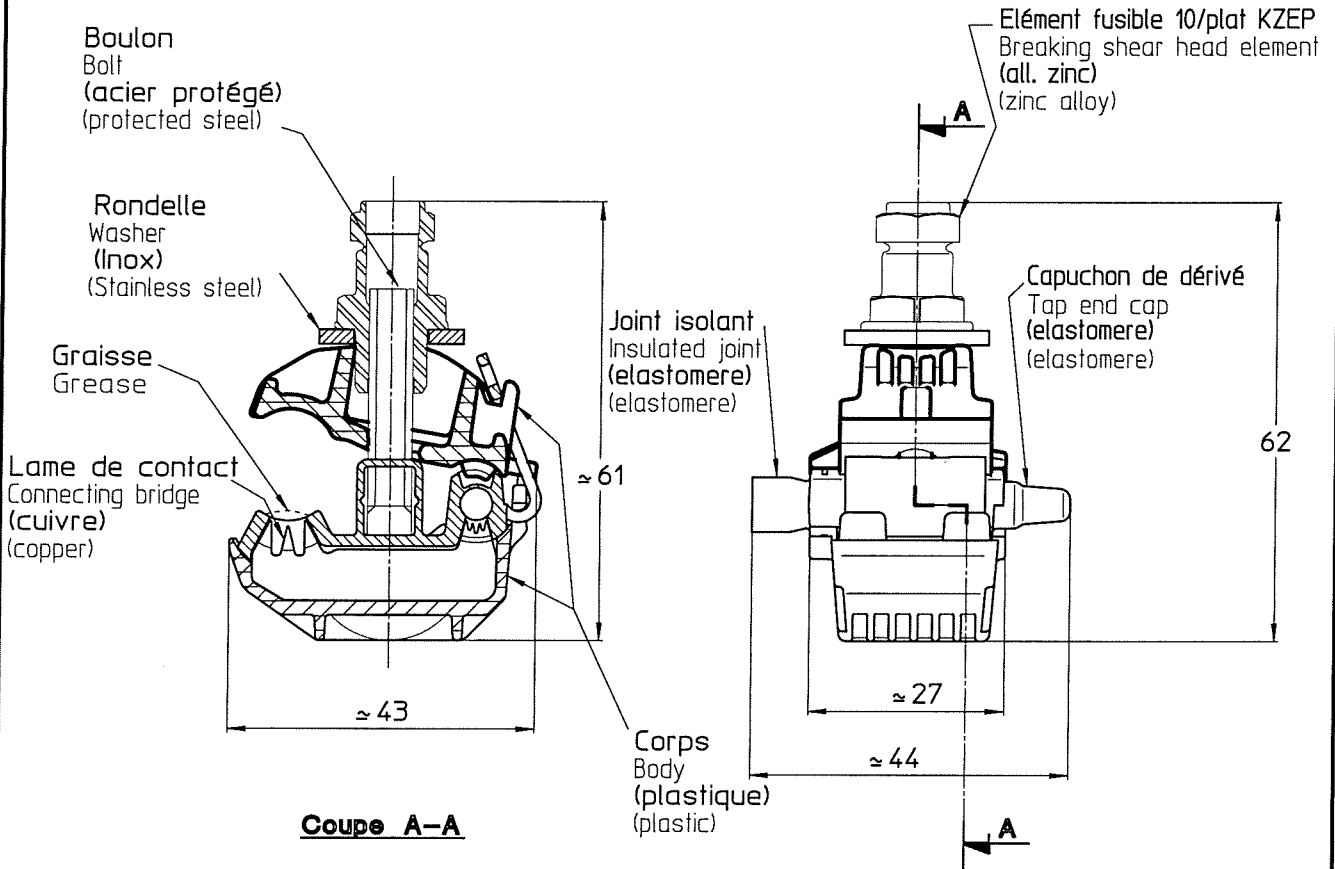


LOC	DIST	REVISIONS					
		P	LTR REV	DESCRIPTION MODIFICATIONS	DATE	DWN DESS.	APVD APPR
-	-		C	Mise à jour matière rondelle	26/08/13	JB	GN



Marquage/Marking: REFERENCE, CAPACITES, DATE

PN	Code SIMEL	Ref. EDF	Ref SIMEL	CAPACITES - CAPACITIES		Couple de rupture de l'élément fusible Breaking shear head torque	Clé de serrage à douille hexagonale Hexagonal wrench
				Principal Main	Dérivé Tap		
1018563-2	018985	CES/CT 70	KZEP	16-70 mm ²	1.5-6 mm ²	6.6 à 8 Nm	10 mm

2011
 RELEASED FOR PUBLICATION
 LIBRE A LA DIFFUSION
 ALL RIGHTS RESERVED.
 TOUS DROITS RESERVES
 BY TYCO ELECTRONICS CORPORATION
 COPYRIGHT 2011
 THIS DRAWING IS UNPUBLISHED.
 DIFFUSION RESTREINTE

DIMENSIONS: mm	DWN /DESSINE J BERLAND	26/08/13	MATERIAL MATIERE	-	FINISH FINITION	-
	CHK /VERIFIE E DEREY	-	TE connectivity SIMEL PRODUCTS			
TOLERANCES UNLESS OTHERWISE SPECIFIED PER TOLERANCES NON SPECIFIEES SELON :	APVD /APPROUVE G NEDELLEC	-				
	PRODUCT SPEC SPEC. PRODUIT	-	SIZE FORMAT	A4	DRAWING NO No PLAN	RESTRICTED TO RESERVE A
	APPLICATION SPEC SPEC. APPLICATION	-	CAGE CODE	00779	© = 1018563	-
	APPROX. WEIGHT MASSE APPROX.	-	DRAWING NO No PLAN	00779	© = 1018563	-
CUSTOMER DWG / PLAN CLIENT			UNIQUEMENT POUR REFERENCE	SCALE ECHELLE	1:1	SHEET FEUILLE
					1	OF DE
					1	REV C