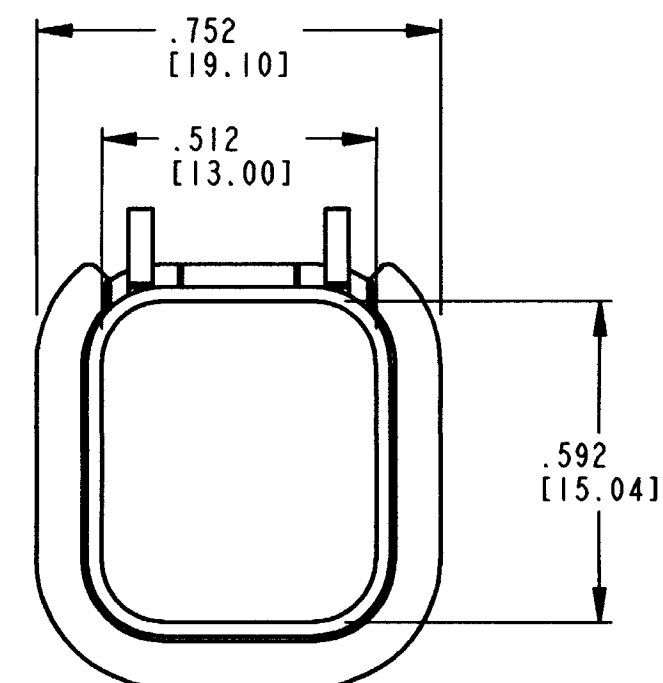
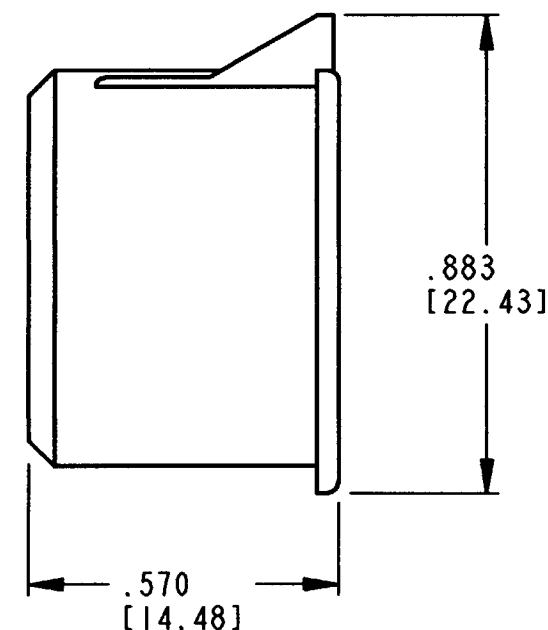
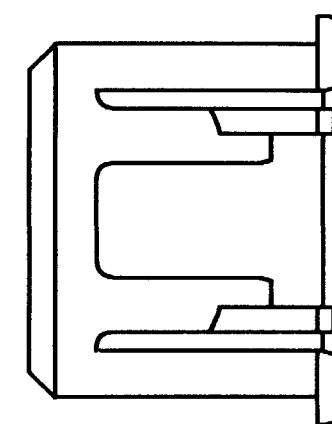


5. ASSEMBLE SLEEVE RETAINER AS SHOWN. SNAP SLEEVE RETAINER INTO RECEPTACLE. VERIFY SLEEVE RETAINER RETENTION FINGERS ARE FULLY SEATED BEHIND RECEPTACLE LATCH BUMPS. RECEPTACLE AND INTERFACE SEAL SHOWN FOR REFERENCE ONLY.

- 4. MATERIAL: PLASTIC
 - 3. PART DESIGNED TO FIT DTM04-6P-**** (**** = ALL MODIFICATIONS) CONSULT FACTORY FOR MODIFICATIONS.
 - 2. DIMENSIONS ARE ±.025 [.64]
 - 1. DIMENSIONS ARE IN INCHES [mm]
- NOTES: UNLESS OTHERWISE SPECIFIED

REV NC 1011-086-0605

REVISIONS			
SYM	DESCRIPTION	DATE	APPROVED
NC	NEW RELEASE PER E.O. P18258	8-22-03	ADR



SIGNATURE & DATE	
DR	V. TOMSA AUG-5-03.
CHK	<i>[Signature]</i> 8/19/03
PE	<i>Vladimir Tomsa</i> AUG 7 03
APPD	<i>[Signature]</i> 8/11/03
SCALE	NONE

SLEEVE RETAINER
FOR 6 PIN RECEPTACLE
COLOR: BLACK
DTM SERIES

ENVELOPE

CP	MATL. CODE
The Deutch Company DEUTSCH I.P.D. 3850 INDUSTRIAL AVE. HEMET, CALIF. 92545	
B	1011-086-0605
DWG SIZE	CODE SHEET OF