



# NEW TV-8 RATED OJT 10A SERIES POWER RELAY

## High Inrush Capability, Miniature Design

TE Connectivity (TE) announces new TV-8 rated 10A OJT Relays. This compact relay offers a high 117A inrush capability and is UL TV-8 rated. This makes them ideal for use in applications that require high inrush resistance on loads which inrush current occurs. Contacts in a 1 form A, 1 NO (normally open) arrangement are rated up to 10 amps at 250 volts AC, resistive with through-hole technology (THT) printed circuit board (PCB) terminals. Its miniature design results in a size about 40% less than similar relay offerings. The 450mW coil is offered in 5 through 24 volt DC versions.

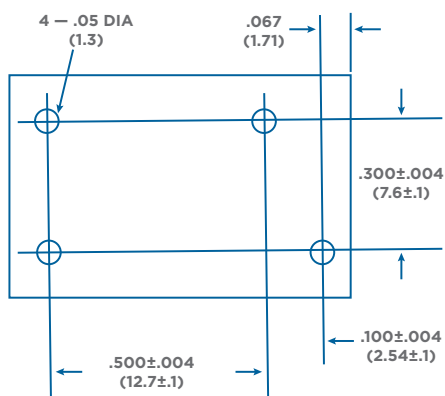
### APPLICATIONS

- Appliances: such as washing machines, refrigeration, and cooking
- HVAC
- Industrial controls
- Industrial machinery
- Lighting
- Motors
- Power supply controls
- Printers
- Smart plugs

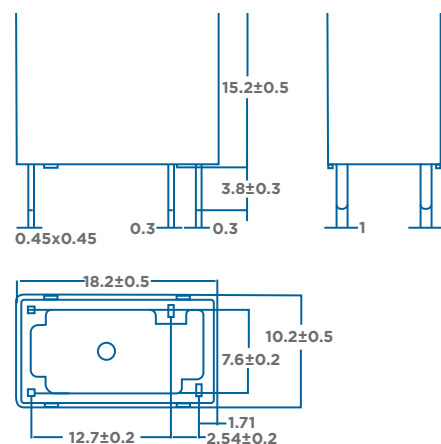
### KEY FEATURES

- 1 form A, 1 NO (normally open) contact arrangement rated up to 10 amps at 250 volts AC and 85°C
- Through-hole technology (THT) printed circuit board (PCB) terminals offer more robust and durable board mounting option
- With a mounted height of only 15.2mm above the board, the OJT relay has a compact design to save space on and above the board
- $\geq 4\text{kV}$  dielectric strength between contacts and coil
- 5 through 24 volt DC coils require 450mW coil power
- Complies with IEC 61810 and is UL recognized, VDE approved and CQC certified

PCB layout - Bottom view on solder pins



Outline Dimensions



# TV-8 Rated OJT 10A Series Power Relay

## CONTACT DATA

- Contact arrangement: 1 form A, 1 NO (normally open)
- Rated Voltage: 250VAC
- Rated Current: 10A
- Contact material: AgSnO
- Electrical endurance:
  - 10A, 250VAC res, +85°C 10x10<sup>3</sup> ops.
  - 10A, 250VAC res, +25°C 30x10<sup>3</sup> ops.

## COIL DATA

- Coil voltage range: 5 to 24 VDC
- Nominal coil power: 450mW

## INSULATION DATA

- Initial dielectric strength
  - Between contacts and coil: 4000Vrms

## PART NUMBERS

Description	Coil Voltage	Contacts	Part Number
OJT-SS-105HM,00000	5VDC	Standard	<a href="#">2071507-1</a>
OJT-SS-112HM,00000	12VDC	Standard	<a href="#">2071508-1</a>
OJT-SS-124HM,00000	24VDC	Standard	<a href="#">2071509-1</a>

## OTHER DATA

- Ambient temperature: -40°C to +85°C max.
- Category of protection: RTII—flux proof
- Terminal type: PCB-THT

## AGENCY APPROVALS:

- UL Recognized, File E82292
- VDE Approved, Certificate 40007630
- CQC Certified, Certificate 18002202082
- TUV Certified, Certificate R 50432700



## TE TECHNICAL SUPPORT CENTER

USA: +1 (800) 522-6752

Canada: +1 (905) 475-6222

Mexico: +52 (0) 55-1106-0800

Latin/S. America +54 (0) 11-4733-2200

Germany: +49 (0) 6251-133-1999

UK: +44 (0) 800-267666

France: +33 (0) 1-3420-8686

Netherlands: +31 (0) 73-6246-999

China: +86 (0) 400-820-6015

## te.com

TE, TE Connectivity, TE (logo) and TE connectivity (logo) are trademarks owned or licensed by the TE Connectivity Ltd. family of companies. All other logos, products and/or company names referred to herein might be trademarks of their respective owners.

The information given herein, including drawings, illustrations and schematics which are intended for illustration purposes only, is believed to be reliable. However, TE Connectivity makes no warranties as to its accuracy or completeness and disclaims any liability in connection with its use. TE Connectivity's obligations shall only be as set forth in TE Connectivity's Standard Terms and Conditions of Sale for this product and in no case will TE Connectivity be liable for any incidental, indirect or consequential damages arising out of the sale, resale, use or misuse of the product. Users of TE Connectivity products should make their own evaluation to determine the suitability of each such product for the specific application.

© 2019 TE Connectivity Ltd. family of companies All Rights Reserved.

1-1773983-2 12/19 Original