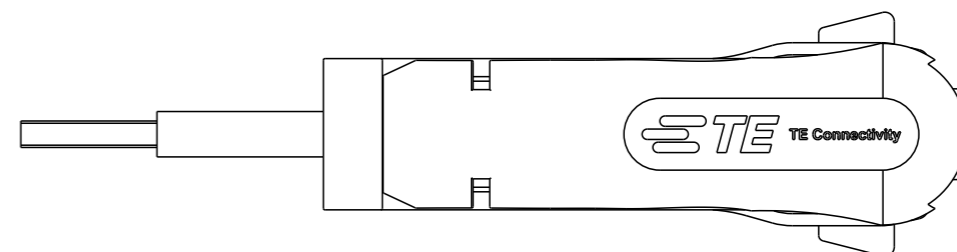
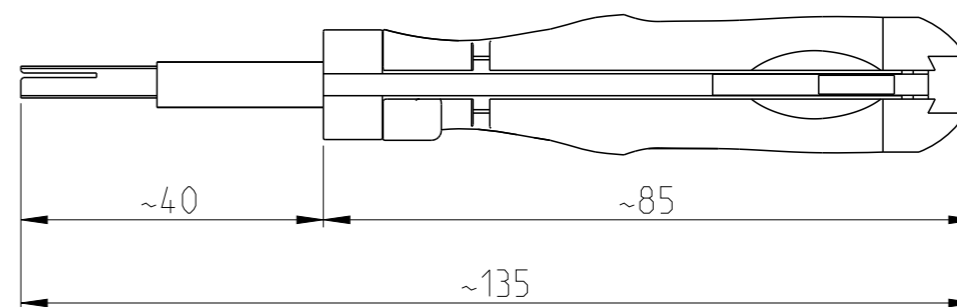
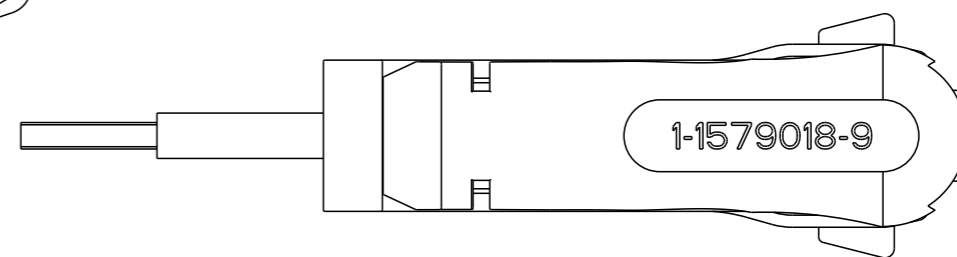
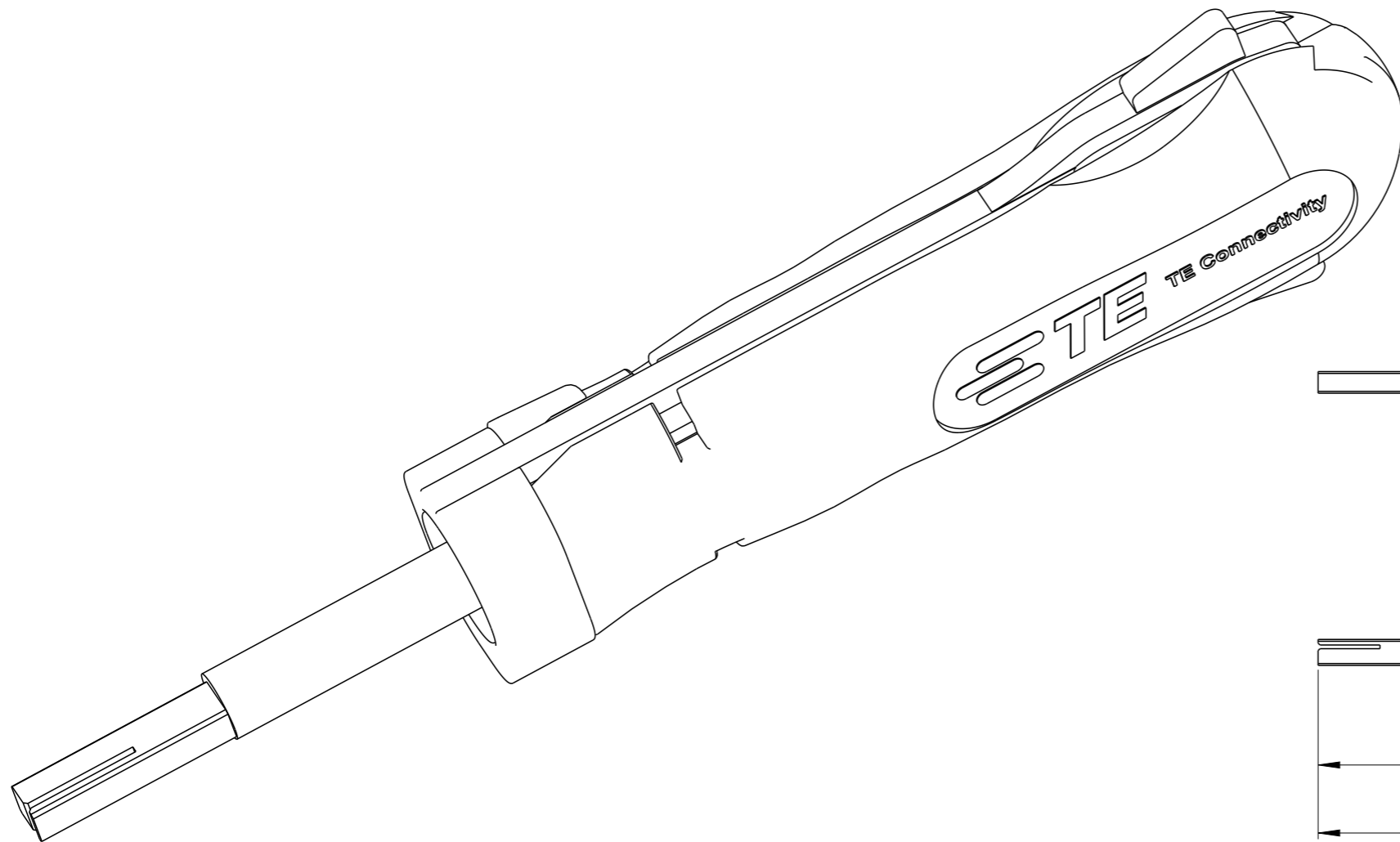


REVISIONS

P	LTR	DESCRIPTION	DATE	DWN	APVD
A1	ECR-21-001703		16FEB2021	PNT	GS
B	ECR-22-128292		01FEB2022	RK	MB

2:1



APPLICATION RANGE / Anwendungsbereich:

TERMINAL: 63665, 63664, 63663, 62511, 63858

THIS DRAWING IS A CONTROLLED DOCUMENT.		DWN S. Samstag	01JUL2008		
DIMENSIONS: mm		CHK	APVD		
		TOLERANCES UNLESS OTHERWISE SPECIFIED:		NAME INSERTION TOOL Eindruckwerkzeug	
MATERIAL 1.2718 (55NiCr10)		FINISH -		PRODUCT SPEC	
				APPLICATION SPEC	
				SIZE A3	CAGE CODE 00779
				DRAWING NO C-1-1579018-9	RESTRICTED TO -
				WEIGHT 0.052kg	
				CUSTOMER DRAWING	SCALE 1:1
				SHEET 1 OF 1	REV B