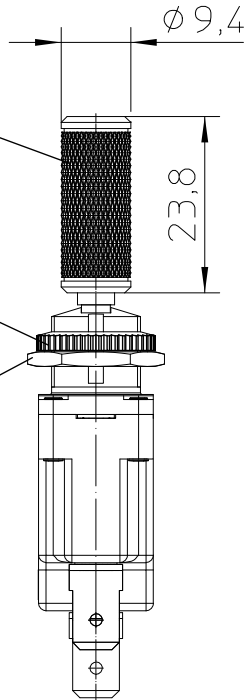


Material:  
Al with  
cross knurl  
DIN 82-RGE 0,8

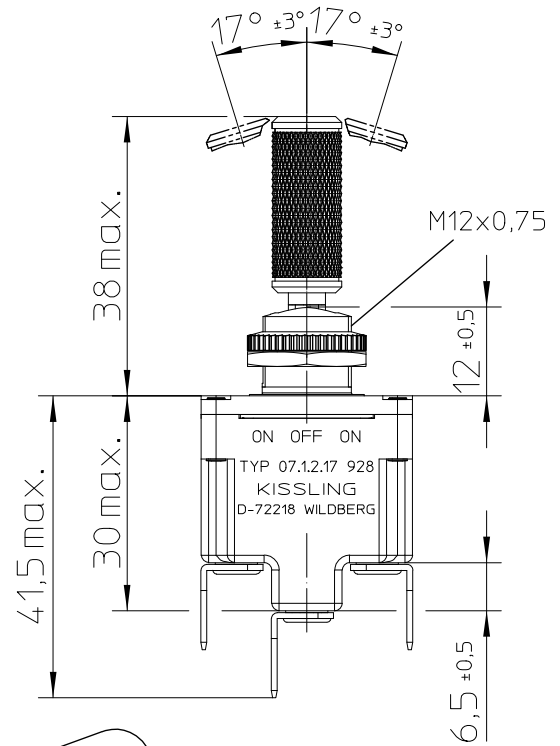
Knurl nut  
M12x0,75

Hex nut width  
across flats 16  
M12x0,75

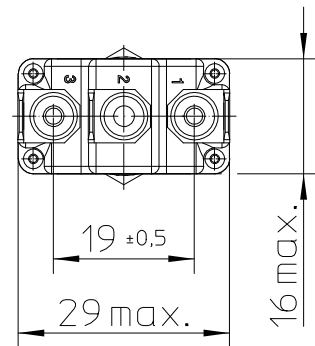
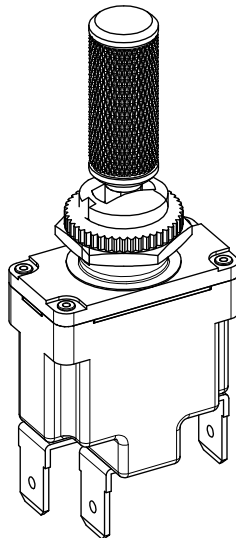


keyway

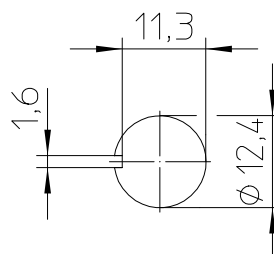
opposite keyway



for customer  
release 20.09.2019

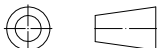


## Mounting Detail



For this drawing we reserve the copyright in accordance with DIN ISO 16016

Third Angle Projection



	Date	Name
Create	18.09.2019	Stock
Edited	20.09.2019	Walza
Check	20.09.2019	Stock

mm ←→	Scale 1:1
General Tolerances DIN ISO 2768 cL	

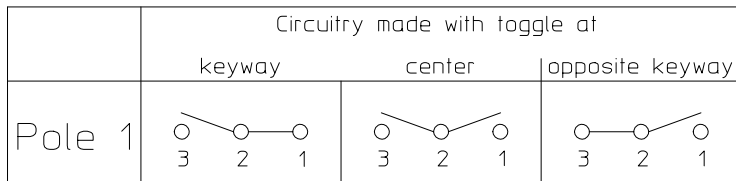


Drawing No:

07-1-2-17 928

NSN:

## Circuit Diagram



## Actuation

- momentary keyway side
- locking center position
- momentary opposite keyway side

for customer  
 release 20.09.2019

## Construction

- Material, Casing ..... Thermoplast GF
- Material, Cover ..... GD-ZnAl4Cu1
- Connections ..... Faston DIN 46 244-A6,3-0,8
- Protection Interior ..... IP 65 IEC 60529
- Connections ..... IP 00 IEC 60529

## Mechanical Data

- Current carrying parts ..... CuZn-Alloy
- Contacts ..... Ag
- Ambient Temperature Range ..... -40°C to +85°C
- Storage Temperature Range ..... -40°C to +85°C
- Life Cycle (nominal Load) ..... 100.000 operations

## Electrical Data

- Voltage 12 V DC ohmic Load ..... 20A
- 28 V DC ohmic Load ..... 15A
- 28 V DC inductive Load ..... at L/R = 5 ms 10A
- 28 V DC lamp Load ..... 4A

Min. Rating ..... 12 V DC, 20 mA

It is recommended to use gold-plated contacts  
for lower currents or voltages.

For this drawing we reserve the copyright in accordance with DIN ISO 16016

	Date	Name		Scale 1:1		Drawing No:
Create	18.09.2019	Stock				General Tolerances DIN ISO 2768 cL
Edited	20.09.2019	Walza				
Check	20.09.2019	Stock	NSN.:			