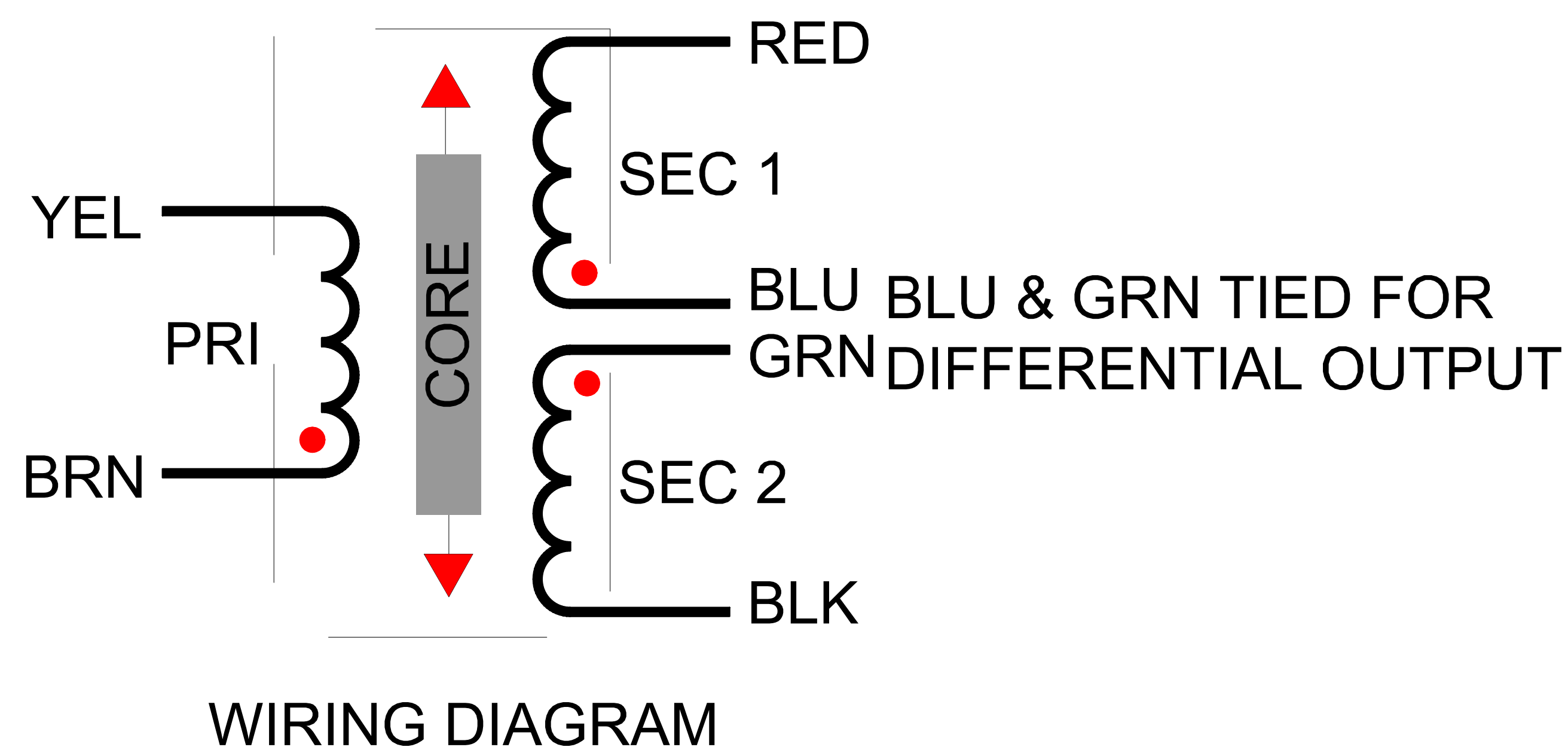
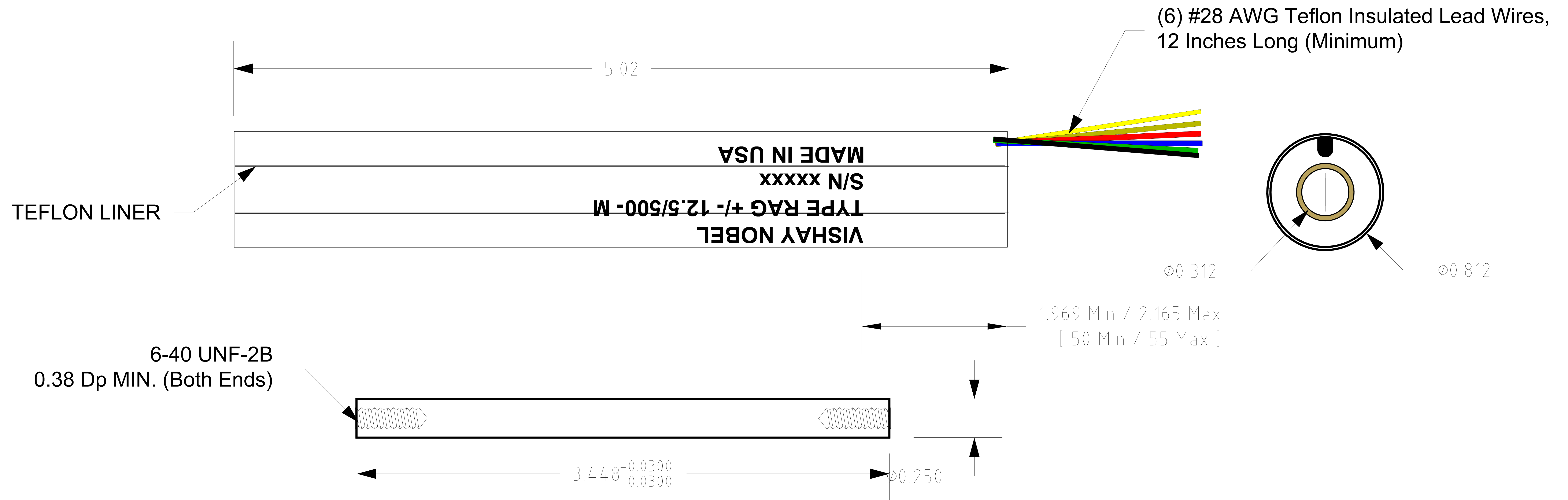


SPECIFICATIONS


INPUT VOLTAGE: 3.0
 INPUT FREQUENCY: 2.5 KHz
 ELECTRICAL STROKE: +/- 0.500 " [12.52]
 SENSITIVITY: .65 mV / VOLT / .001"
 SENSITIVITY: 25.6 mV / VOLT / m m
 LINEARITY: 0.25% OF FULL RANGE
 PHASE SHIFT: +1.0 DEGREES
 PRIMARY IMPEDANCE: 1420 OHMS
 SECONDARY IMPEDANCE: 735 OHMS
 ELECTRO-ETCH:
 VISHAY NOBEL
 TYPE RAG +/- 12.5/500- M
 S/N xxxxx
 MADE IN USA

REVISIONS

REV.	DESCRIPTION	DATE:	APPR.
A	REVISED PER ECR/ECN #553	11/27/02	R.E.A.
A1	REDRAWN WITH NO CHANGES	08/11/20	



MATERIAL:

UNLESS OTHERWISE SPECIFIED ALL DIMENSIONS ARE IN INCHES TOLERANCES ARE: ANGLES: +/- 0.5 DEG. FRACTIONS: +/- 1/64 . DECIMAL: XX= +/- .01 .XXX= +/- .005	DRAFTSMAN: R.E.A.	DATE: 2 MAR 01	 TITLE PR 812 500-0473 OUTLINE		
	CHECKER:	DATE:			
	This Drawing and Specifications are the property of Macro Sensors, Div. of Howard A. Schaevitz Technologies, Inc. DO NOT COPY without the written approval of Macro Sensors.	APPROVED:	DATE:	A C.A.G.E. No. 06WW0	DRAWING No. 015912755000
		APPROVED:	DATE:		SCALE: NONE