

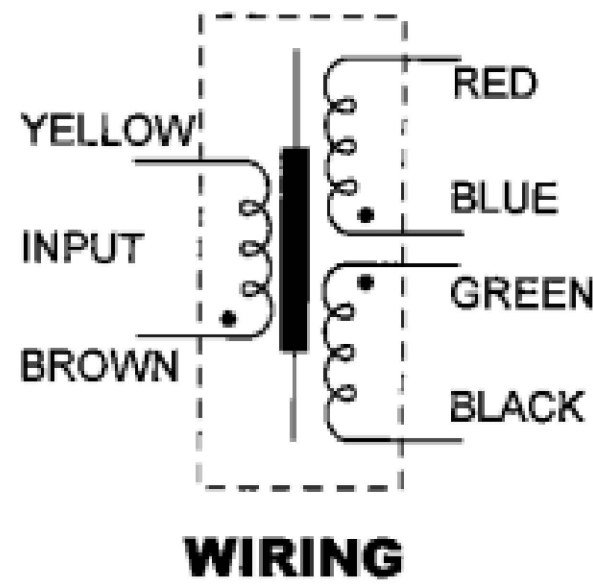
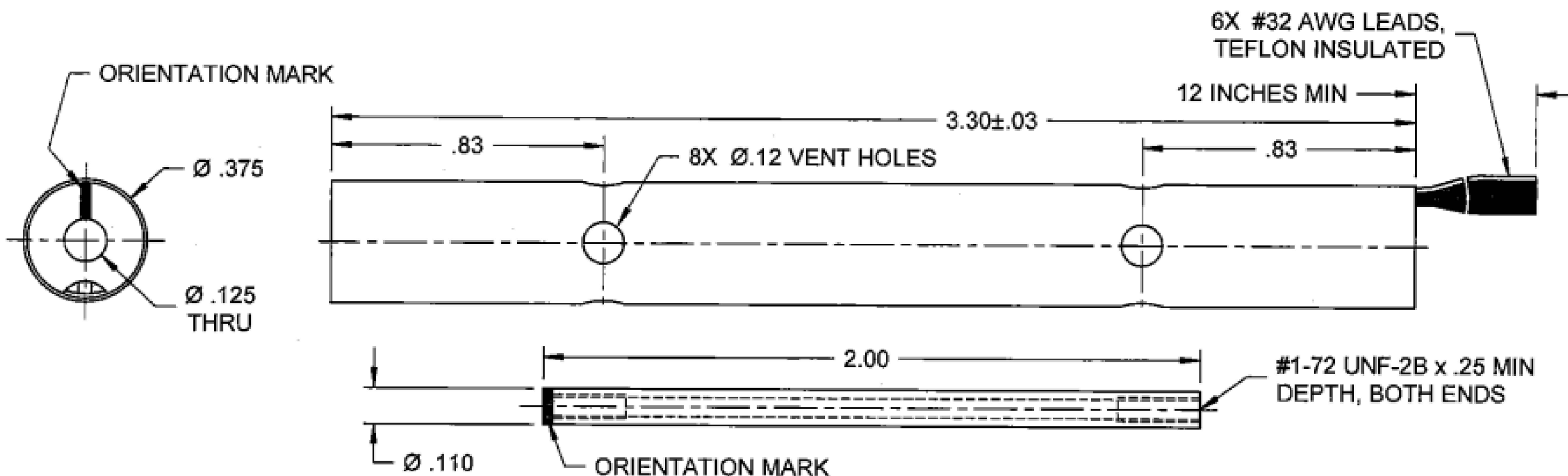
REVISIONS				
P	LTR	DESCRIPTION	DATE	APVD
C	-	-	-	-

SPECIFICATIONS

INPUT VOLTAGE : 3.0 V rms (NOM)
 INPUT FREQUENCY : 10 KHz (NOM)
 ELECTRICAL STROKE : ± 0.500 INCH
 SENSITIVITY : 1.721 mv/VOLT/0.001 INCH
 LINEARITY : 0.25% OF FULL RANGE (MAX)
 PHASE SHIFT : +8.9°
 IMPEDANCE
 PRIMARY : 129 OHMS (NOM)
 SECONDARY : 302 OHMS (NOM)
 OPERATING TEMPERATURE : -65° TO 400° F
 OPERATING PRESSURE : 20,000 PSI
 SHOCK SURVIVAL : 1000 g's, 11ms
 VIBRATION(20g UP TO 2 kHz): 30 g's rms

NOTES:
 1. ELECTRO-ETCH THE FOLLOWING:
 MACRO SENSORS
 PENNSAUKEN, NJ
 CD-375-500-0457
 SERIAL NO. xxxxxx

REVISIONS		DWG NO. 015912368000		
ZONE	REV	DESCRIPTION	DATE	APPROVED
	--	INITIAL RELEASE	20-NOV-2000	REA
	A	REVISED PER ECN# 491	04-MAR-2002	REA
	B	REVISED PER ECN# 1410	23-JUN-2010	DSC
	C	REVISED PER ECN# 1541	17-FEB-2011	DSC



This Drawing & Specifications are the property of Macro Sensors, Div of Howard A. Schaevitz Technologies, Inc. DO NOT COPY without the written approval of Macro Sensors.

SHOWS PART NO. 015312368000

UNLESS OTHERWISE SPECIFIED, DIMENSIONS ARE IN INCHES.		DRAFTER: REA	DATE: 20-NOV-2000	MACRO SENSORS A DIVISION OF HOWARD A. SCHAEVITZ TECHNOLOGIES, INC. www.macro-sensors.com	
TOLERANCES ARE:		CHECKER:	DATE:	TITLE: OUTLINE, CD-375-500-0457	
ANGLES : ± 2° FRACTIONS : ± 1/64		APPROVED:	DATE:	SIZE: A	FSCM NO. 06WWW0
DECIMALS : .XX ± .010 .XXX ± .005		APPROVED:	DATE:	DWG NO. 015912368000	REV C
MATERIAL:	APPROVED:	DATE:	SCALE: NTS (2/1)	SHEET NO: 1 OF 1	
FINISH:	APPROVED:	DATE:			

THIS DRAWING IS A CONTROLLED DOCUMENT.		DWN	-	TE TE Connectivity	
DIMENSIONS: INCHES		CHK	-	NAME: OUTLINE, CD-375-500-0457	
TOLERANCES UNLESS OTHERWISE SPECIFIED:		APVD	-	PRODUCT SPEC	
0 PLC ± -		APPLICATION SPEC	-	RESTRICTED TO	
1 PLC ± -		WEIGHT	A2	CAGE CODE 00779	DRAWING NO. C=015912368000
2 PLC ± -		CUSTOMER DRAWING	SCALE NTS	SHEET 1 OF 1	REV C
3 PLC ± -					
4 PLC ± -					
ANGLES ± -					
FINISH					