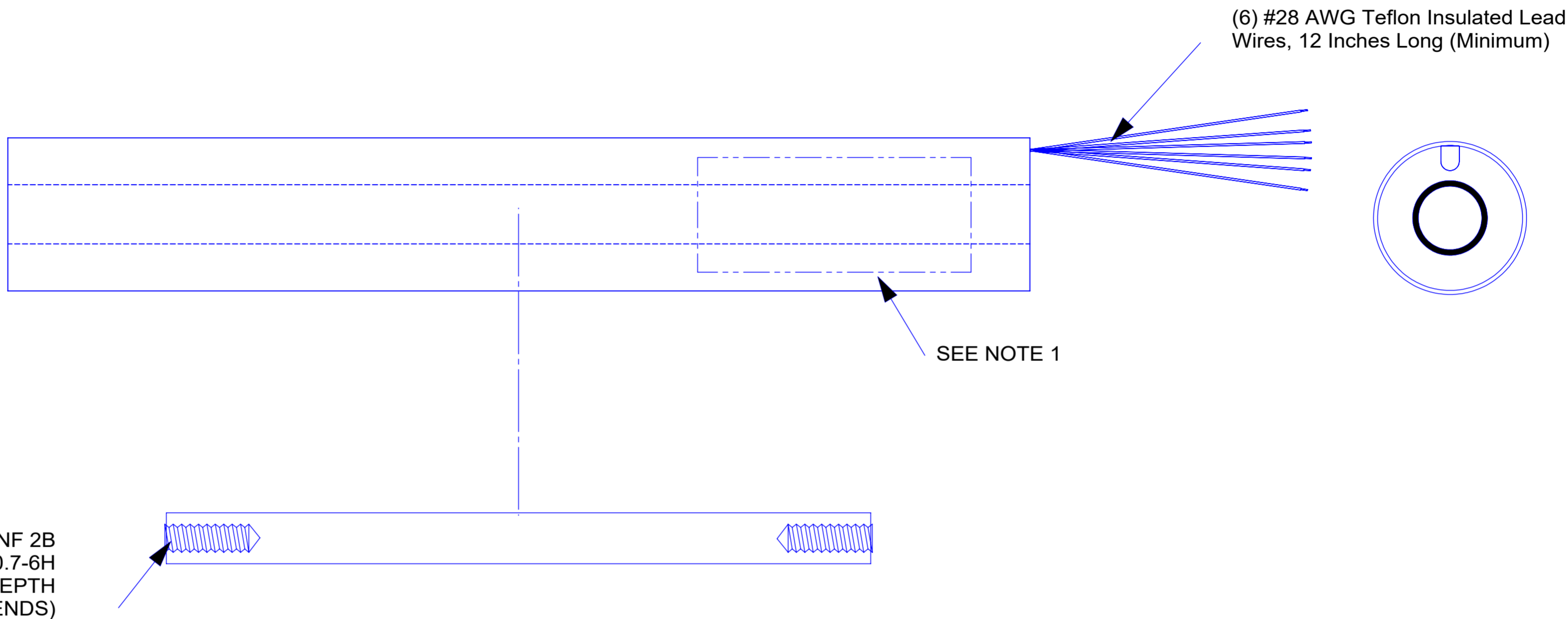


NOTES :

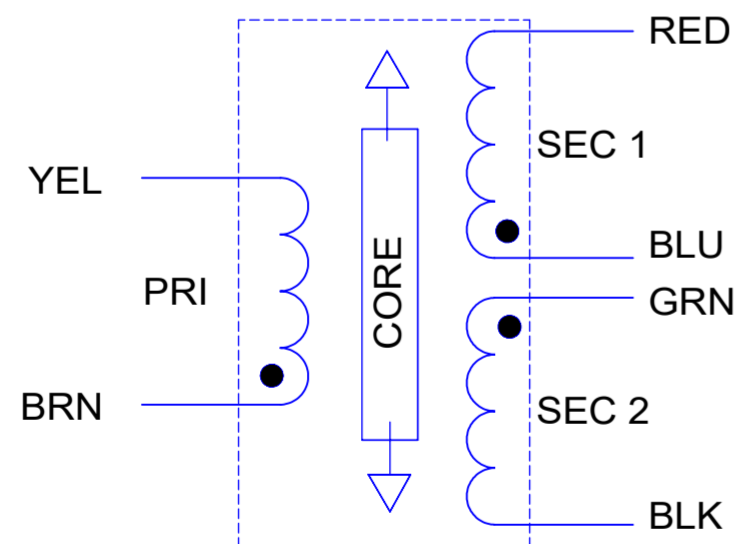
1. ELECTRO-ETCH THE FOLLOWING:

TE Connectivity  
 Hermosillo, Mexico  
 PR 812 XXXXX  
 SERIAL NO. xxxxxxxx

2. SEE SHEET 2 FOR ELECTRICAL SPECIFICATIONS



#6-40 UNF 2B  
 M4 X 0.7-6H  
 0.38 [9.6] MIN DEPTH  
 (BOTH ENDS)



BLU & GRN TIED FOR DIFFERENTIAL OUTPUT

THIS DRAWING IS A CONTROLLED DOCUMENT.		DWN	TE Connectivity	
DIMENSIONS: in		CHK		
TOLERANCES UNLESS OTHERWISE SPECIFIED:		APVD	NAME	
0 PLC -		PRODUCT SPEC	OUTLINE, PR 812-SERIES	
1 PLC -		APPLICATION SPEC	SIZE	CAGE CODE
2 PLC ±0.010			A2	-
3 PLC ±.005			DRAWING NO	RESTRICTED TO
4 PLC ±0.5°			010912XXXXXX	TESS
MATERIAL FINISH		WEIGHT	SCALE	SHEET
		lb	NOT TO SCALE	1 OF 2
				REV E

INPUT VOLTAGE	3.0 Vrms (NOM.)
INPUT FREQUENCY	2.5 KHz

LINEARITY ERROR	±.25% OF F.R. (MAX)
OPERATING TEMPERATURE	-65° TO +220° F

TABLE 1

STANDARD		TEFLON BORELINER (-010)		METRIC DISPL. / METRIC CORE (-006)		METRIC CORE + TEFLON BORLINER (-016)		LTR DIMENSIONS FROM SHT 1		
DESCRIPTION	PART NO.	DESCRIPTION	PART NO.	DESCRIPTION	PART NO.	DESCRIPTION	PART NO.	BODY DIM "A"	DIM "S" (START) NOM.	CORE DIM "B"
PR 812 050	0103 1270 0000	PR 812 050-010	0103 1270 0010	PR 812 050-006	0103 1270 0006	PR 812 050-016	0103 1270 0016	1.13 [28.7]	0.56 [14.3]	0.800 [20.3]
PR 812 100	0103 1271 0000	PR 812 100-010	0103 1271 0010	PR 812 100-006	0103 1271 0006	PR 812 100-016	0103 1271 0016	1.75 [44.5]	0.88 [22.2]	1.250 [31.8]
PR 812 200	0103 1272 0000	PR 812 200-010	0103 1272 0010	PR 812 200-006	0103 1272 0006	PR 812 200-016	0103 1272 0016	2.50 [63.5]	1.25 [31.7]	1.650 [41.9]
PR 812 500	0103 1275 0000	PR 812 500-010	0103 1275 0010	PR 812 500-006	0103 1275 0006	PR 812 500-016	0103 1275 0016	5.02 [127.5]	2.51 [63.7]	3.450 [87.6]
PR 812 1000	0103 1280 0000	PR 812 1000-010	0103 1280 0010	PR 812 1000-006	0103 1280 0006	PR 812 1000-016	0103 1280 0016	6.48 [164.6]	3.25 [82.5]	3.450 [87.6]
PR 812 2000	0103 1284 0000	PR 812 2000-010	0103 1284 0010	PR 812 2000-006	0103 1284 0006	PR 812 2000-016	0103 1284 0016	9.98 [253.4]	5.01 [127.2]	5.30 [134.6]
PR 812 3000	0103 1285 0000	PR 812 3000-010	0103 1285 0010	PR 812 3000-006	0103 1285 0006	PR 812 3000-016	0103 1285 0016	12.64 [321.1]	6.38 [161.9]	6.20 [159.5]
PR 812 4000	0103 1288 0000	PR 812 4000-010	0103 1288 0010	PR 812 4000-006	0103 1288 0006	PR 812 4000-016	0103 1288 0016	15.20 [386.0]	7.60 [193.0]	6.20 [157.5]
PR 812 5000	0103 1286 0000	PR 812 5000-010	0103 1286 0010	PR 812 5000-006	0103 1286 0006	PR 812 5000-016	0103 1286 0016	17.78 [451.6]	8.88 [225.4]	6.20 [157.5]
PR 812 7500	0103 1277 0000	PR 812 7500-010	0103 1277 0010	PR 812 7500-006	0103 1277 0006	PR 812 7500-016	0103 1277 0016	22.87 [580.8]	11.43 [290.2]	7.00 [177.8 +/-0.75]
PR 812 10000	0103 1289 0000	PR 812 10000-010	0103 1289 0010	PR 812 10000-006	0103 1289 0006	PR 812 10000-016	0103 1289 0016	30.60 [778.3]	15.32 [389.1]	9.50 [241.3]

SPECIFICATIONS FOR INCHES DISPLACEMENT (STD. -010)

DESCRIPTION	PR 812 050	PR 812 100	PR 812 200	PR 812 500	PR 812 1000	PR 812 2000
ELECTRICAL STROKE	±0.050 INCH	±0.100 INCH	±0.200 INCH	±.500 INCH	±1.000 INCH	±2.000 INCH
PHASE SHIFT	+1.1°	-1.5°	-5.0°	+1.0°	+1.0°	+1.0°
SENSITIVITY	6.5 mV/VOLT/.001 INCH	4.0 mV/VOLT/.001 INCH	2.4 mV/VOLT/.001 INCH	.65 mV/VOLT/.001 INCH	.65 mV/VOLT/.001 INCH	.39 mV/VOLT/.001 INCH
IMPEDENCE, PRIMARY	400 OHMS	990 OHMS	1890 OHMS	1420 OHMS	1665 OHMS	3060 OHMS
IMPEDENCE, SECONDARY	2460 OHMS	3580 OHMS	4330 OHMS	735 OHMS	1660 OHMS	2890 OHMS

DESCRIPTION	PR 812 3000	PR 812 4000	PR 812 5000	PR 812 7500	PR 812 10000
ELECTRICAL STROKE	±3.000 INCH	±4.000 INCH	±5.000 INCH	±7.500 INCH	±10.000 INCH
PHASE SHIFT	+3.5°	-2°	2°	0°	0°
SENSITIVITY	.26 mV / VOLT / .0001 INCH	.18 mV/VOLT/.001 INCH	.126 mV/VOLT/.001 INCH	.118 mV/VOLT/.001 INCH	.08 mV/VOLT/.001 INCH
IMPEDENCE, PRIMARY	1900 OHMS	430 OHMS	1050 OHMS	1380 OHMS	1070 OHMS
IMPEDENCE, SECONDARY	2300 OHMS	470 OHMS	775 OHMS	1420 OHMS	1000 OHMS

SPECIFICATIONS FOR METRIC DISPLACEMENT -006, -016)


DESCRIPTION	PR 812 050-006	PR 812 100-006	PR 812 200-006	PR 812 500-006	PR 812 1000-006	PR 812 2000-006
ELECTRICAL STROKE	±1.25 mm	±2.5 mm	±5mm	±12.5 mm	±25 mm	±50 mm
PHASE SHIFT	1.1°	-1.5°	-5.0°	+1.0°	+1.0°	+1.0°
SENSITIVITY	256 mV/VOLT/mm	157 mV/VOLT/mm	94.5 mV/VOLT/mm	25.6 mV/VOLT/ mm	25.6 mV/VOLT/ mm	15.4 mV/VOLT/ mm
IMPEDENCE, PRIMARY	400 OHMS	990 OHMS	1890 OHMS	1420 OHMS	1665 OHMS	3060 OHMS
IMPEDENCE, SECONDARY	2460 OHMS	3580 OHMS	4330 OHMS	735 OHMS	1660 OHMS	2890 OHMS

DESCRIPTION	PR 812 3000-006	PR 812 4000-006	PR 812 5000-006	PR 812 7500-006	PR 812 10000-006
ELECTRICAL STROKE	±75 mm	±100 mm	±125 mm	±190 mm	±250 mm
PHASE SHIFT	+3.5°	-2°	+2°	0°	0°
SENSITIVITY	10.6 mV/VOLT/ mm	7.1 mV/VOLT/ mm	4.96 mV/VOLT/ mm	4.6 mV/VOLT/mm	3.14 mV/VOLT/ mm
IMPEDENCE, PRIMARY	1900 OHMS	430 OHMS	1050 OHMS	1300 OHMS	1070 OHMS
IMPEDENCE, SECONDARY	2300 OHMS	470 OHMS	775 OHMS	1420 OHMS	1000 OHMS

INSTRUCTIONS TO LOCATE UNIT MODEL FROM DESIRED STROKES:

- DETERMINE STROKE (DISPLACEMENT) NEEDED BY CUSTOMER APPLICATION UNDER SPECIFICATIONS.
- UNDER SPECIFICATIONS MOVE HORIZONTALLY ACROSS "ELECTRICAL STROKE" ROW TO FIND UNIT STROKE THAT MATCHES CUSTOMER DESIRED STROKE.
- AFTER MATCHING DESIRED STROKE, SEE HEADING OF THAT PARTICULAR SPECIFICATIONS BLOCK FOR UNIT MODEL DESCRIPTION.
- IN TABLE 1, FIND MODEL DESCRIPTION ON LEFT AND READ HORIZONTALLY ACROSS ROW FOR PART NO. AND DIMENSION INFO.

THIS DRAWING IS A CONTROLLED DOCUMENT.		DWN	 TE Connectivity	
DIMENSIONS: in		CHK		
TOLERANCES UNLESS OTHERWISE SPECIFIED:		APVD	NAME <b>OUTLINE PR 812 -SERIES</b>	
0 PLC -		PRODUCT SPEC		
1 PLC -		APPLICATION SPEC	SIZE	CAGE CODE
2 PLC ±0.010		WEIGHT	A2	-
3 PLC 0 ±.005			DRAWING NO	
4 PLC ±0.5°			010912XXXXXX	
FINISH			RESTRICTED TO	
SEE PARTS LIST			TESS	
		SCALE		SHEET
		NOT TO SCALE		2 OF 2
				REV E