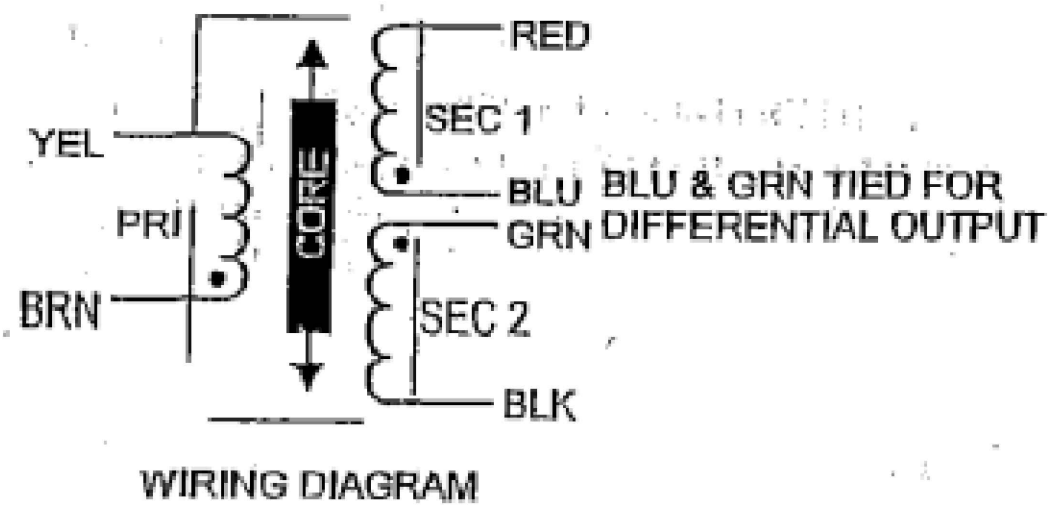
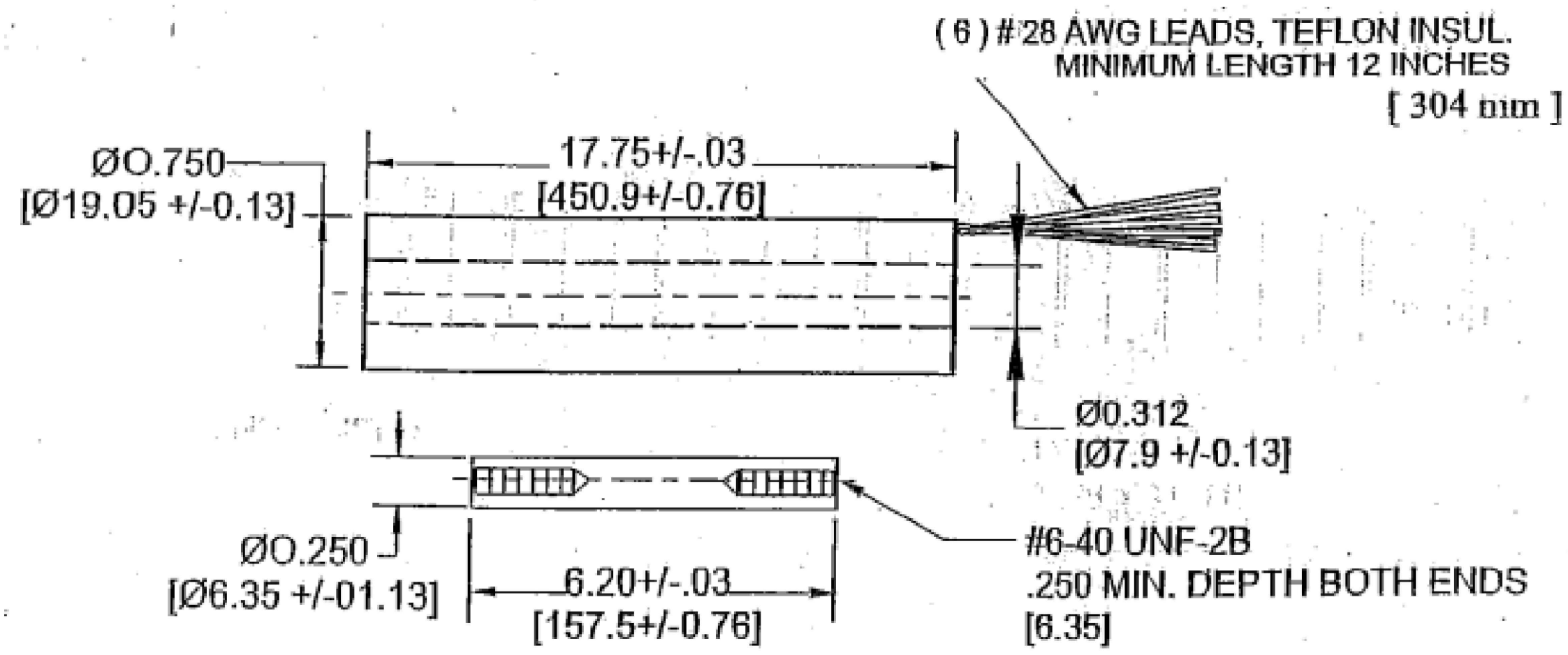


REVISIONS				
P	LTR	DESCRIPTION	DATE	APVD
A	-		-	-

INPUT VOLTAGE: 3.0
INPUT FREQUENCY: 2.5 KHz
ELECTRICAL STROKE: +/- 5.000" [127.0]
SENSITIVITY: .126 mv / VOLT / .001"
SENSITIVITY: 4.96 mv / VOLT / m m
LINEARITY: 0.25% OF FULL RANGE
PHASE SHIFT: + 2 DEGREES
PRIMARY IMPEDANCE: 1050 OHMS
SECONDARY IMPEDANCE: 775 OHMS

REV.	DESCRIPTION	DATE:	BY:
A	REDRAWN WITHOUT CHANGE	7/17/98	RE



[] DENOTES MILLIMETER

UNLESS OTHERWISE SPECIFIED ALL DIMENSIONS ARE IN INCHES TOLERANCES ARE: ANGLES: +/- 0.5 DEG. FRACTIONS: +/- 1/64. DECIMAL: XX = +/- .01 .XXX = +/- .005	DRAFTSMAN: R.E.A.	DATE: 20 JUNE 95	Macro Sensors Div. of Howard A. Schaevitz Technologies, Inc.	
	CHECKER:	DATE:		
	APPROVED:	DATE:	TITLE PR 750 5000 OUTLINE	
	APPROVED:	DATE:	C.A.G.E. No. A 06WW0	DRAWING No. 010912630000
FINISH:	APPROVED:	DATE:	SCALE: NONE	SHEET No. 1 of 1

MATERIAL:

THIS DRAWING IS A CONTROLLED DOCUMENT.		DWN	-		TE Connectivity			
DIMENSIONS: INCHES		CHK	-		NAME: PR 750 5000 OUTLINE			
TOLERANCES UNLESS OTHERWISE SPECIFIED: 0 PLC ± - 1 PLC ± - 2 PLC ± - 3 PLC ± - 4 PLC ± - ANGLES ± - FINISH		APVD	-		PRODUCT SPEC			
MATERIAL		APVD	-		APPLICATION SPEC			
		WEIGHT	-	SIZE: A2	CAGE CODE: 00779	DRAWING NO: C=010912630000	RESTRICTED TO: -	
		CUSTOMER DRAWING	-	SCALE: NTS		SHEET: 1 of 1	REV: A	

010912630000