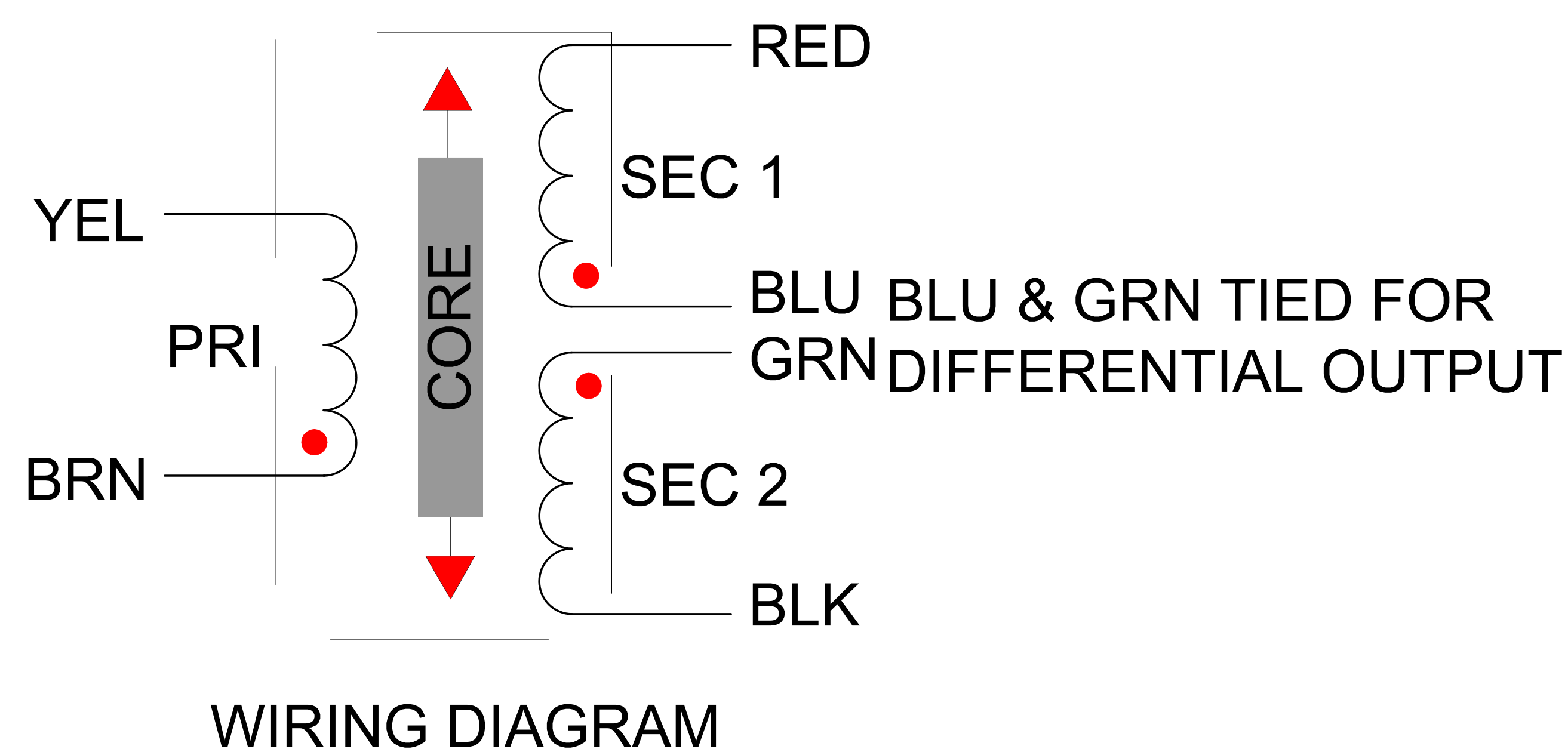
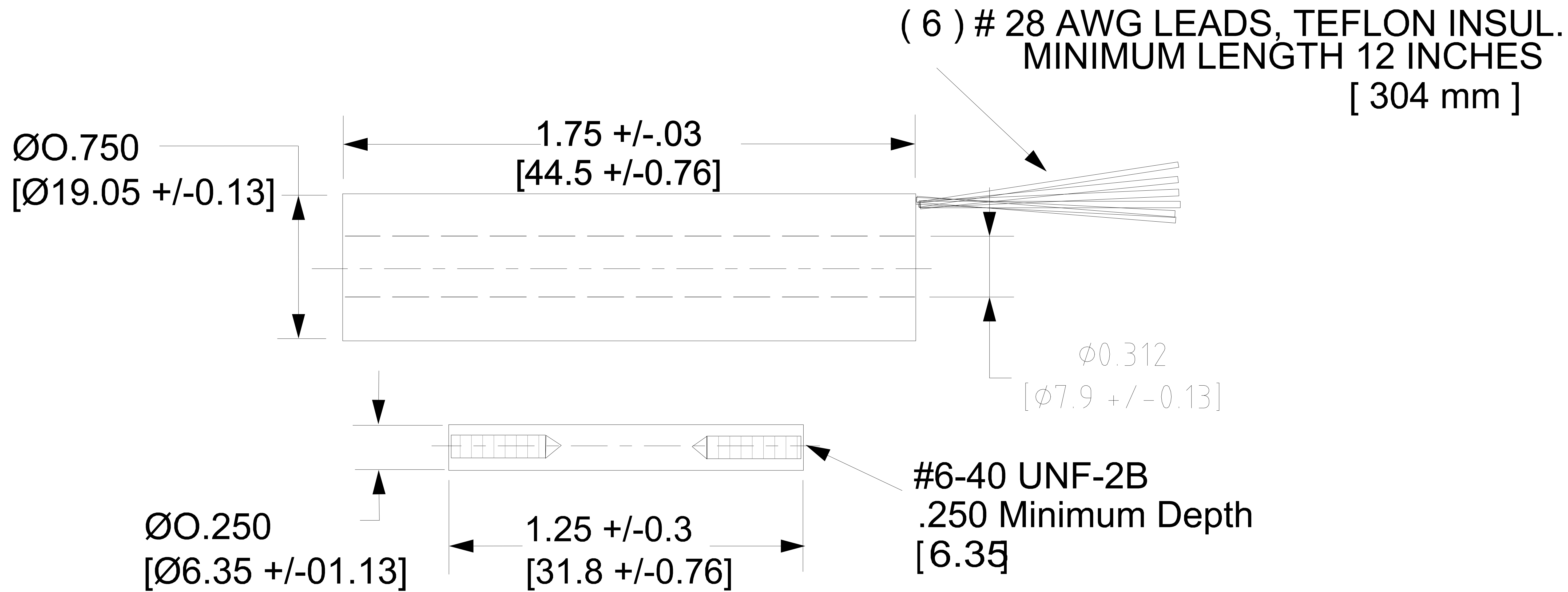


SPECIFICATIONS


INPUT VOLTAGE: 3.0
 INPUT FREQUENCY: 2.5 KHz
 ELECTRICAL STROKE: +/- 0.100 " [2.54]
 SENSITIVITY: 4.0 mv / VOLT / .001"
 SENSITIVITY: 157 mv / VOLT / m m
 LINEARITY: 0.25% OF FULL RANGE
 PHASE SHIFT: -1.5 DEGREES
 PRIMARY IMPEDANCE: 990 OHMS
 SECONDARY IMPEDANCE: 3580 OHMS

REVISIONS

REV.	DESCRIPTION	DATE:	APPR.
A1	REDRAWN WITH NO CHANGES	24/08/20	



[] DENOTES MILLIMETER

UNLESS OTHERWISE SPECIFIED ALL DIMENSIONS ARE IN INCHES TOLERANCES ARE: ANGLES: +/- 0.5 DEG. FRACTIONS: +/- 1/64 . DECIMAL: XX= +/- .01 .XXX= +/- .005	DRAFTSMAN: R.E.A.	DATE: 28 FEB. 95	 EVERY CONNECTION COUNTS		
	CHEKER:	DATE:			
	This Drawing and Specifications are the property of Macro Sensors, Div. of Howard A. Schaevitz Technologies, Inc. DO NOT COPY without the written approval of Macro Sensors.	CHEKER:	DATE:	TITLE PR 750 100 OUTLINE	
		CHEKER:	DATE:	A C.A.G.E. No. 06WW0	DRAWING No. 010912510000
FINISH:	CHEKER:	DATE:	SCALE: NONE SHEET No. 1 OF 1		