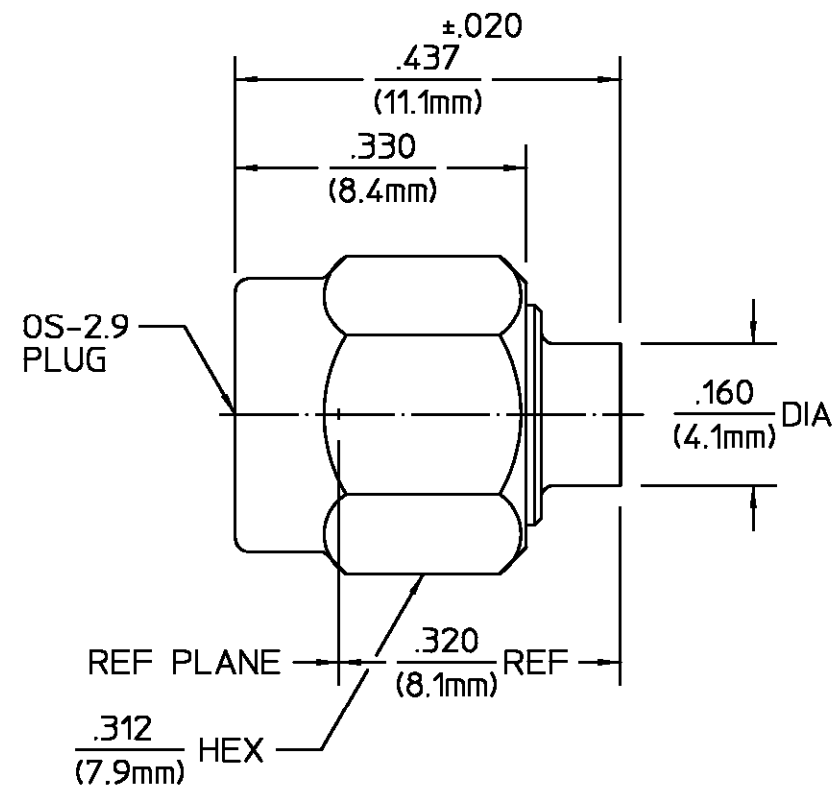


REVISIONS			
REV	DESCRIPTION	DATE	APPROVED
01 ₀	RELEASED	2/4/92	CAS
02 ₀	SEE ECN 92-0216-4	BB 1/20/92	MC-20-92
B	PER EC 0U20-0116-01-02	10/29/01	C. Hoang



COUPLING NUT	STAINLESS STEEL PER ASTM-A484 AND ASTM-A582, TYPE 303	PASSIVATE PER ASTM-A380
HOUSING	BERYLLIUM COPPER PER ASTM B 196, ALLOY C17300, CONDITION H	GOLD PLATE PER MIL-G-45204 OVER NICKEL PLATE PER QQ-N-290
CENTER CONTACT	BRASS PER ASTM-B-16, HALF HARD	GOLD PLATE PER MIL-G-45204
RETAINING RING	BERYLLIUM COPPER PER ASTM B 194, ALLOY C17200, CONDITION H	N/A
GASKET	SILICONE RUBBER PER ZZ-R-765	N/A
SUPPORT BEAD	NORYL PPO EN265 COLOR: BLACK	N/A
COMPONENT	MATERIAL	FINISH

NOTES:
1. DESIGNED FOR USE WITH .085 DIA SEMI-RIGID CABLE.

CABLE ENTRY DIAMETER MINIMUM	UNLESS OTHERWISE SPECIFIED DIMENSIONS ARE IN INCHES TOLERANCE ON	DRAWN BY <i>ONEIDA</i> DATE 1/28/92	AMP Incorporated 140 Fourth Avenue Waltham, MA 02451-7599		
HOUSING	FRAC. DEC. ANGLES ± 1/64 ± .005 ± °	CHECKED BY <i>BB</i> 1/31/92	AMP TITLE OS-2.9 STRAIGHT CABLE PLUG - DIRECT SOLDER ATTACHMENT SIZE B CODE IDENT NO. 26805 4801-7985-02 REV 02 ₀ SCALE 5:1 SHEET 1 OF 1		
CONTACT		APPD BY <i>CAS</i> 2/4/92			
	These drawings and specifications are the property of Omni Spectra Incorporated and shall not be reproduced or copied or used in whole or in part as the basis for the manufacture or sale of item(s) without written permission.	USE ASS'Y PROCEDURE 408-04631 NO. AP. (48-011)			