



CII FCC-360 SERIES CONTACTOR

SMALL, LIGHTWEIGHT, ENVIRONMENTALLY SEALED 60-AMP CONTACTOR, WITH A DOUBLE MAKE CONTACT DESIGN, PROVIDING FAST AND RELIABLE SWITCHING



Small, lightweight, environmentally sealed 60-amp contactor providing fast and reliable switching



SMALL ENVELOPE

- 2.5" x 2.1" footprint

LIGHTWEIGHT

- 8.5 oz max weight

DURABLE

- Double make contact design for less wear and tear on contact
- Designed to performance requirements in MIL-PRF-6106

FAST SWITCHING

- Utilizes economized coil
- 15 Milliseconds operating time

QUICK RELIABLE INSTALLATIONS

- Utilizes rugged threaded terminals

APPLICATIONS/ MARKETS SERVED

- Military Aircraft
- UAV
- Commercial Aerospace
- Military Ground
- Shipboard

Description

The new FCC-360-CU4 from TE Connectivity (TE) offers significant size, weight and performance advantages over current products on the market.

It is built in a 3 SPST normally open contact configuration, with 2 SPDT auxiliary switches. It is rated at 60 Amps for both 28 VDC and 115 VAC 60Hz/400HZ switching.

The double make contact design reduces wear and tear on the contacts over time. When coupled with our efficient coil economizer, this contactor provides an excellent choice for aerospace, defense and marine power applications.

ELECTRICAL/ENVIRONMENTAL

- **Coil Current:** 28VDC economized coil 5A max inrush: 100ms duration: 300 mA holding current (operating temperature)
- **Contact Rating:** 60A; with 10X Rupture Current
- **Aux Contact Rating:** 2A
- **Rated Operating Voltage:** 28 VDC, 115 VAC-60 / 400 HZ
- **Pickup:** 18 VDC (@ operating temperature)
- **Dropout:** 1-9 VDC @ operating temperature)
- **Contact Bounce:** 2 ms on main contacts
- **Operating Time @ 28 VDC:** 15 ms on both pickup and dropout
- **Electrical Life:** Resistive: 50K min and Inductive: 30K min
- **Operating Temperature:** -55C to +85C Temperature to 50,000 feet altitude
- **Overload:** 480 A 50 cycles
- **Rupture:** 600 A 10 cycles

ENVIRONMENTAL

- **Construction:** Gasket sealed

MECHANICAL

- **Minimum Mechanical Life:** 100,000 cycles @25% rated resistive load

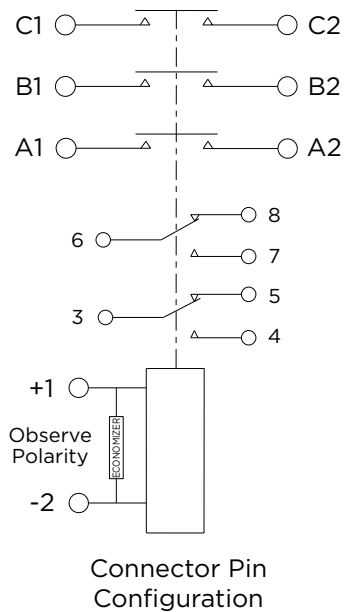
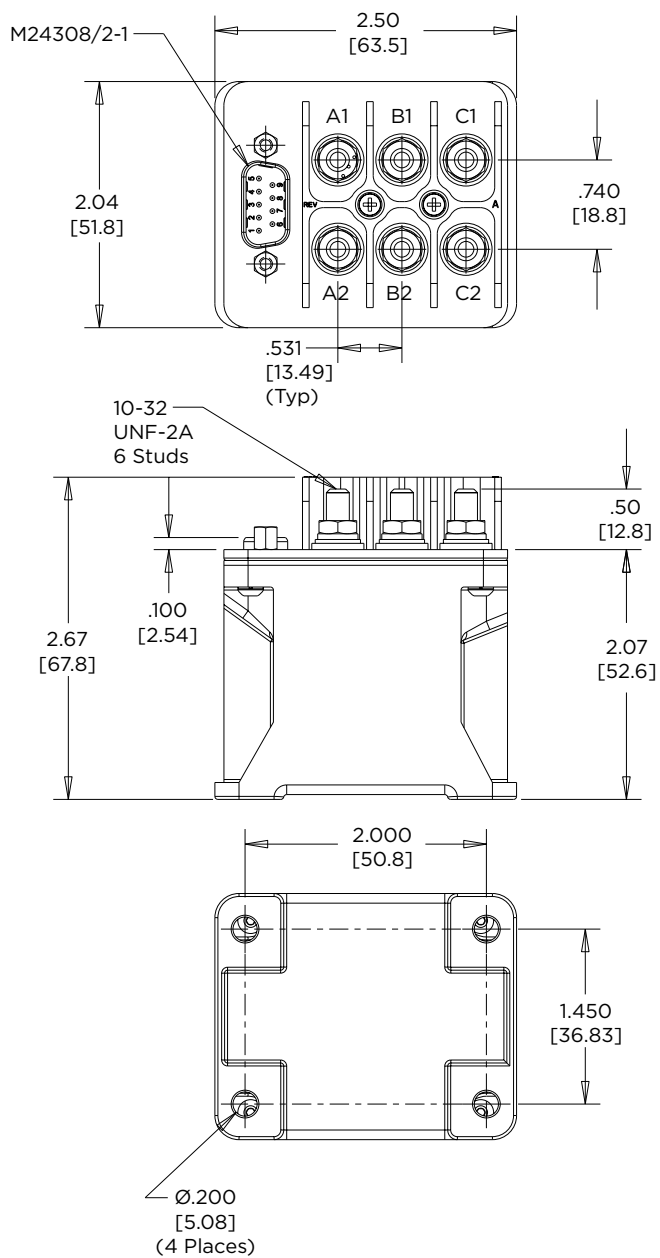
MATERIALS

- **Housing:** Lightweight Zytel housing

STANDARDS AND TEST REPORTS

- Designed to the performance standards of MIL-PRF-6106

CII FCC-360 Series Contactor



PRODUCT INFORMATION

Part Number	Description	GPL	Product Code	Samples? Y/N/P	Application Tooling Y/N + PN
FCC-360-CU4	60 Amp Contactor, Threaded Terminals	G49	K611	N	N

Empower Engineers to Solve Problems, Moving the World Forward.

AMP | AGASTAT | CII | DEUTSCH | DRI | HARTMAN | KILOVAC
MICRODOT | NANONICS | POLAMCO | Raychem | Rochester | SEACON

CONNECT WITH US

We make it easy to connect with our experts and are ready to provide all the support you need. Visit te.com/support to chat with a Product Information Specialist.

QUALITY STARTS WITH THE RIGHT APPLICATION TOOLING

Creating a quality crimp connection is essential to delivering high performance and reliability in extreme environments. From low to high volume wire processing, TE has you covered with a full range of application tooling and a global field service team.

- [View all application tooling](#)
- [Connect with our experts to find the right tool for your application](#)

te.com/cii-fcc-360

AMP, AGASTAT, CII, DEUTSCH, DRI, HARTMAN, KILOVAC, MICRODOT, NANONICS, POLAMCO, Raychem, Rochester, SEACON, TE, TE Connectivity, and TE connectivity (logo) are trademarks owned or licensed by TE Connectivity. All other logos, products and/or company names referred to herein might be trademarks of their respective owners.

The information given herein, including drawings, illustrations and schematics which are intended for illustration purposes only, is believed to be reliable. However, TE Connectivity makes no warranties as to its accuracy or completeness and disclaims any liability in connection with its use. TE Connectivity's obligations shall only be as set forth in TE Connectivity's Standard Terms and Conditions of Sale for this product and in no case will TE Connectivity be liable for any incidental, indirect or consequential damages arising out of the sale, resale, use or misuse of the product. Users of TE Connectivity products should make their own evaluation to determine the suitability of each such product for the specific application.

© 2022 TE Connectivity All Rights Reserved.

2351482-1 04/22

CII FCC-360 SERIES CONTACTOR

TE Connectivity
Aerospace, Defense & Marine
2900 Fulling Mill Road
Middletown, PA 17057