

Introduction



The proven “W” Crimp applied with precisely controlled pressure permits the use of a shorter terminal barrel. An excellent feature for confined area termination.

The SOLISTRAND Terminals and Splices in combination with the “W” Crimp create terminations of optimum electrical properties and are completely reliable; giving long service in hard environment.

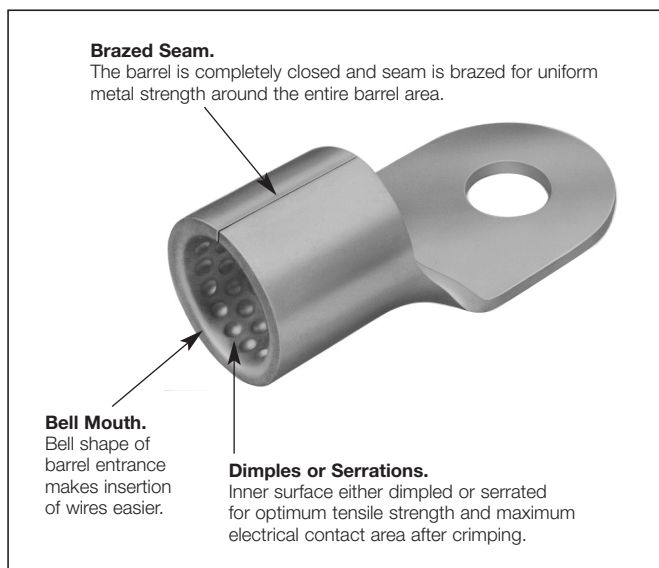
SOLISTRAND terminals are made of high conductivity copper, electro tinned for improved corrosion resistance.

The completely closed barrel with serrations inside provides an optimum tensile strength and maximum electrical contact after crimping. The barrel has a conical entry for easy wire insertion.

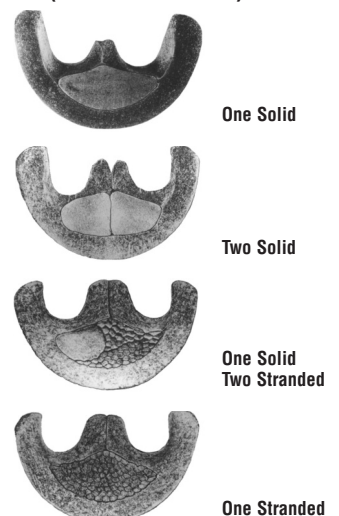
The “W” Crimp is actually two longitudinal crimps providing that the conductor within the barrel flows together into the serrations or dimples of the terminal barrel, creating one homogeneous mass of copper. The two indents also help to center the conductor within the barrel for uniform crimping of the barrel around the wire.

Because TE Connectivity matches the terminal to the tool each termination is uniform making quality control easy and performance consistent.

SOLISTRAND products are UL listed File E 13288 and certified by CSA File LR 7189.



“W” Crimp Connection (Wire Combinations)



AWG Identification Numbers

The International AWG Identification Numbers

Each TE Connectivity Terminal and Splice covers specific international wire range and has the applicable wire size marked on the tongue or the barrel. Insulated terminals and splices are color coded for easy identification. All application tools have a special matching control system.

With this technique the quality of the termination made can be reliably checked at any time. During crimping the application tooling marks a proper visual code on the terminal or insulation sleeve. If the code of the terminal and the mark of the tool are corresponding, a reliable termination with the correct tooling has been made.

Cross Reference of AWG Code Numbers to Wire Size Range

AWG Code Number	Wire Size Range (mm ²)	for DIN Cross Section (mm ²)
26–22	0.10– 0.40	0.14/0.20/0.25/0.35
22–16	0.25– 1.60	0.35/0.50/0.75/1.00/1.50
16–14	1.00– 2.60	1.00/1.50/2.50
16–14 HD*	1.00– 2.60	1.00/1.50/2.50
12–10	2.70– 6.60	4.00/6.00
8	6.70– 10.50	10.0
6	10.60– 16.70	16.0
4	16.80– 26.60	25.0
2	26.70– 42.40	35.0
1/0	42.50– 60.50	50.0
2/0	60.60– 76.20	70.0
3/0	76.30– 97.00	95.0
4/0	98.00–120.00	120.0
250–300 MCM	121.00–151.00	150.0
300–350 MCM	152.00–192.00	185.0
400–350 MCM	193.00–242.00	240.0
500–600 MCM	243.00–304.00	300.0

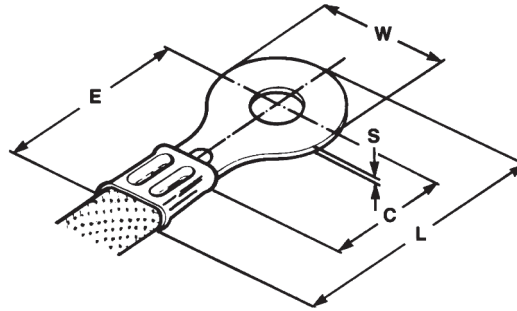
*) Heavy-duty terminals use AWG 12–10 (2.7–6.6 mm²) tooling.

Minimum Number of Wires, Diameter of Conductor for Insulated High Current Conductors

Wire Size Range (mm ²)	Number and Diameter of Wires (mm)	Diameter of Conductor (mm)	Wire Size Range (mm ²)	Number and Diameter of Wires (mm)	Diameter of Conductor (mm)
0.14	1 x 0.42	0.42	25.0	1 x 5.64	5.64
	18 x 0.10	–		7 x 2.13	6.40
	8 x 0.15	–		84 x 0.62	7.70
0.20	1 x 0.50	0.50	35.0	200 x 0.40	7.50
	11 x 0.15	–		797 x 0.20	7.60
	26 x 0.10	–		19 x 1.53	7.70
0.25	1 x 0.60	0.60	50.0	133 x 0.58	8.70
	14 x 0.15	–		280 x 0.40	8.70
	1 x 0.67	0.67		1115 x 0.20	9.00
0.35	7 x 0.26	0.80	70.0	19 x 1.83	9.20
	12 x 0.21	0.90		133 x 0.69	10.40
	1 x 0.80	0.80		400 x 0.40	11.00
0.50	7 x 0.30	0.90	95.0	1592 x 0.20	11.00
	16 x 0.21	1.00		19 x 2.17	11.00
	1 x 1.00	1.00		189 x 0.69	12.70
0.75	24 x 0.20	1.20	120.0	560 x 0.40	12.00
	1 x 1.13	1.13		1427 x 0.25	12.50
	32 x 0.20	1.30		19 x 2.52	12.60
1.50	1 x 1.38	1.38	150.0	259 x 0.69	14.50
	7 x 0.52	1.60		485 x 0.50	14.90
	30 x 0.25	1.60		1936 x 0.25	14.90
2.50	1 x 1.78	1.78	185.0	37 x 2.03	14.20
	7 x 0.67	2.00		336 x 0.67	16.40
	50 x 0.25	2.10		614 x 0.50	16.00
4.00	1 x 2.26	2.26	240.0	2445 x 0.25	16.40
	19 x 0.52	2.60		37 x 2.26	15.80
	56 x 0.30	2.80		392 x 0.69	18.00
6.00	1 x 2.26	2.26	300.0	765 x 0.50	19.20
	19 x 0.64	3.20		2123 x 0.30	19.30
	84 x 0.30	3.50		37 x 2.52	18.00
10.00	1 x 3.57	3.57	240.0	494 x 0.69	19.00
	7 x 1.35	4.10		944 x 0.44	20.00
	49 x 0.51	4.60		2618 x 0.30	21.00
16.00	80 x 0.40	5.00	300.0	61 x 2.24	20.50
	1 x 4.52	4.52		627 x 0.69	22.00
	7 x 1.70	5.10		1225 x 0.50	23.00
	49 x 0.65	5.90		3396 x 0.30	24.00
	127 x 0.40	6.00		61 x 2.50	23.00
				790 x 0.69	25.00
				1530 x 0.50	27.00

Ring Tongues

Ring Tongues,
0.25–26.6 mm²



0.25–6.6 mm²

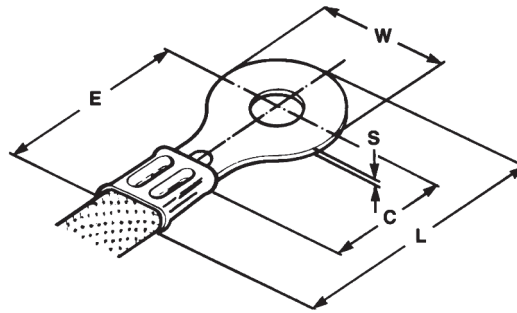
Wire Size Range (mm ²)	Bolt M	Stud Hole (mm)	Dimensions (mm)					Part Number	Package Quantity
			S	W	C	L	E		
0.25–1.6	2.6	2.3	0.8	5.5	4.0	11.4	8.6	34104	100
	3.0	3.7	0.8	5.5	4.0	11.4	8.6	34105	100
	4.0	4.3	0.8	7.9	7.1	15.9	11.9	34111	100
	5.0	5.2	0.8	7.9	7.1	15.9	11.9	130017	100
	6.0	6.7	0.8	11.9	11.1	21.8	15.7	34113	100
1.0–2.6	3.0	3.7	0.8	6.4	4.3	12.3	9.0	34120	100
	4.0	4.3	0.8	8.7	7.1	16.3	12.0	34122	100
	5.0	5.2	0.8	8.7	7.3	16.3	11.9	130106	100
	6.0	6.7	0.8	11.9	11.1	21.7	15.8	34124	100
	8.0	8.3	0.8	11.9	11.1	21.7	15.8	34125	100
2.7–6.6	4.0	4.3	1.0	9.5	7.7	19.3	14.5	32994	100
	5.0	5.2	1.0	9.5	7.7	19.1	14.3	130191	100
	6.0	6.7	1.0	12.7	8.7	22.0	15.5	35772	100
	8.0	8.3	1.0	12.7	8.7	21.8	15.4	35773	100
	10.0	10.5	1.0	15.1	13.4	27.9	20.2	160121	100

6.7–26.6 mm²

Wire Size Range (mm ²)	Bolt M	Stud Hole (mm)	Dimensions (mm)					Part Number	Package Quantity
			S	W	C	L	E		
6.7–10.5	5.0	5.2	1.2	11.9	9.1	23.7	17.7	160013	50
	6.0	6.7	1.2	11.9	9.1	23.7	17.7	33461	50
	8.0	8.3	1.2	15.1	13.5	29.7	22.1	33462	50
	10.0	10.5	1.2	15.1	13.5	29.7	22.2	160056	50
10.6–16.7	5.0	5.2	1.45	11.9	13.5	29.7	23.7	130522	50
	6.0	6.7	1.45	15.9	13.5	31.8	23.8	33465	50
	8.0	8.3	1.45	15.9	13.5	31.6	23.7	33466	50
	10.0	10.3	1.45	15.9	13.5	31.6	23.7	160032	50
	12.0	13.0	1.45	22.2	25.4	46.7	35.9	320344	25
16.8–26.6	5.0	5.2	1.8	16.7	13.1	33.3	25.0	160119	10
	6.0	6.7	1.8	12.7	11.1	30.5	24.1	33469	10
	8.0	8.3	1.8	16.7	13.1	33.2	24.9	33470	10
	10.0	10.5	1.8	16.7	13.1	33.2	24.9	160075	10
	12.0	13.0	1.8	22.2	25.4	48.3	37.2	327175	10
	12.0	13.1	1.8	31.8	25.4	53.1	37.1	35668	10

Ring Tongues (continued)

**Ring Tongues,
26.7–304.0 mm²**



26.7–97.0 mm²

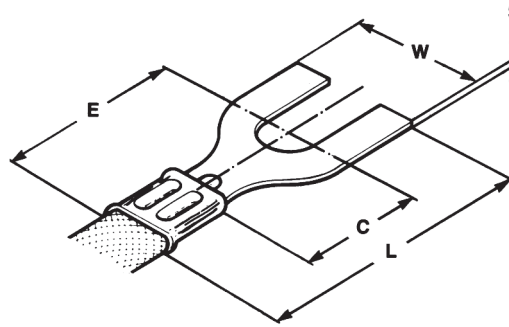
Wire Size Range (mm ²)	Bolt M	Stud Hole (mm)	Dimensions (mm)					Part Number	Package Quantity
			S	W	C	L	E		
26.7–42.4	8.0	8.3	1.8	15.9	17.4	38.8	30.9	322870	10
	10.0	10.5	1.8	22.2	17.4	42.0	30.9	160002	10
	12.0	13.0	1.8	22.2	17.4	42.0	30.9	35185	10
42.5–60.5	6.0	6.7	1.8	20.5	18.8	48.9	38.5	321866	10
	8.0	8.3	1.8	22.2	18.8	49.7	38.5	36916	10
	10.0	10.5	1.8	22.2	18.8	49.7	38.5	160000	10
60.6–76.2	12.0	13.0	1.8	22.2	18.8	49.7	38.5	36919	10
	6.0	6.7	2.0	23.6	19.0	50.8	39.0	36921	5
	8.0	8.3	2.0	23.6	19.0	50.8	39.0	36922	5
	10.0	10.5	2.0	23.6	19.0	50.8	39.0	160001	5
	12.0	13.0	2.0	23.6	19.0	50.8	39.0	36295	5
76.3–97.0	16.0	16.6	2.0	23.6	19.0	50.8	39.0	36926	5
	8.0	8.3	2.3	25.4	20.7	53.7	41.0	321874	5
	10.0	10.5	2.3	25.4	20.7	53.7	41.0	160003	5
	12.0	13.1	2.3	27.5	15.9	54.4	41.7	36929	5
	16.0	16.7	2.3	27.5	15.9	54.4	41.7	36930	5

98.0–304.0 mm²

Wire Size Range (mm ²)	Bolt M	Stud Hole (mm)	Dimensions (mm)					Part Number	Package Quantity
			S	W	C	L	E		
98.0–120.0	10.0	10.5	2.6	27.0	21.0	55.3	41.8	160129	25
	12.0	13.1	2.6	29.2	15.9	56.0	41.7	36934	50
	16.0	16.6	2.6	28.6	21.0	56.0	41.7	36935	50
121.0–151.0	10.0	11.5	3.2	35.7	19.0	66.1	50.2	322253	25
	12.0	13.0	3.2	35.7	19.0	66.1	50.2	322254	25
	16.0	16.6	3.2	35.7	19.0	66.1	50.2	323050	25
152.0–192.0	10.0	11.5	3.45	38.5	21.0	67.7	51.8	322258	25
	12.0	13.0	3.45	38.5	21.0	67.7	51.8	322259	25
	16.0	16.6	3.45	38.5	21.0	67.7	51.8	324105	25
193.0–242.0	12.0	13.0	3.9	43.6	21.0	70.8	54.9	322264	25
	16.0	16.6	3.9	43.6	21.0	70.8	54.9	324202	25
	22.0	23.0	3.9	43.9	26.7	92.6	71.7	160266	25
143.0–304.0	12.0	13.0	4.5	50.4	23.2	80.8	61.7	322269	25
	16.0	16.6	4.5	50.4	23.2	80.8	61.7	322270	25

Spade Terminals

**Spade Terminals,
0.25–6.6 mm²**

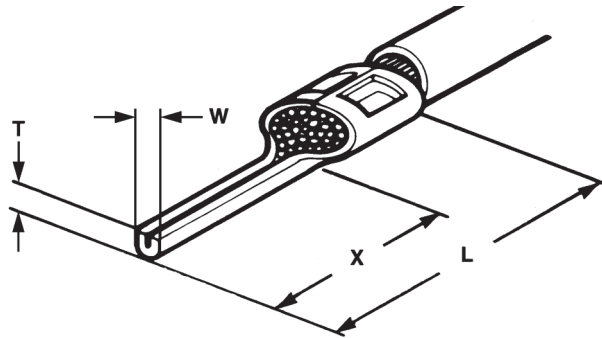


0.25–6.6 mm²

Wire Size Range (mm ²)	Bolt M	Stud Hole (mm)	Dimensions (mm)					Part Number	Package Quantity
			S	W	C	L	E		
0.25–1.6	2.6	3.0	0.8	5.5	6.4	14.1	11.3	130524	100
	3.0–3.5	3.7	0.8	6.4	7.9	15.8	12.5	323127	100
	3.0–3.5	3.7	0.8	7.5	5.2	13.5	9.0	36195	100
	4.0	4.3	0.8	7.1	6.3	15.0	10.9	130519	100
	4.0	4.3	0.8	9.5	7.9	17.5	12.7	34117	100
	5.0	5.0	0.8	9.5	7.5	17.4	12.3	34118	100
1.0–2.6	3.0–3.5	3.7	0.8	7.5	5.1	13.5	9.8	322996	100
	4.0	4.3	0.8	6.4	7.1	14.9	12.0	130534	100
	4.0	4.3	0.8	7.5	5.1	13.5	9.8	36880	100
	5.0	5.2	0.8	9.8	7.9	17.4	12.5	160127	100
	6.0	6.3	0.8	12.1	11.1	21.8	15.2	130539	100
2.7–6.6	4.0	4.7	1.0	8.0	12.0	22.8	18.7	130499	50
	6.0	6.3	1.0	13.5	11.2	24.6	17.5	130624	50

Wire Pins

**Wire Pins,
0.25–26.6 mm²**

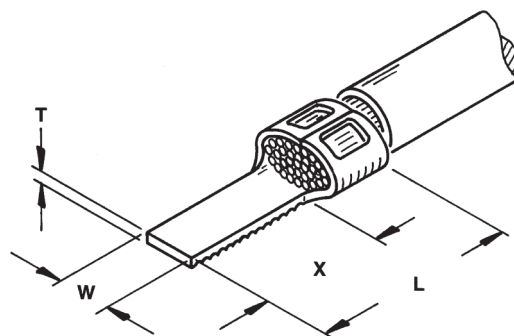


0.25–26.6 mm²

Wire Size Range		DIN Wire Size Range (mm)	Dimensions (mm)				Part Number	Package Quantity
(mm ²)	AWG		X	W	T	L		
0.25–1.6	22–16	0.5–1.0	6.7	1.8	1.8	14.2	165140	100
			9.9	1.8	1.8	17.3	165166	100
1.0–2.6	16–14	>1.0–2.5	6.7	1.8	1.8	14.2	165045	100
			9.9	1.8	1.8	17.3	165170	100
2.7–6.6	12–10	>2.5–6.0	9.9	2.6	2.6	20.6	165048	100
6.7–10.5	8	>6.0–10.0	10.7	2.6	2.6	21.8	180599	50
10.6–16.7	6	>10.0–16.0	18.0	4.3	4.3	31.4	736013	25
16.8–26.6	4	>16.0–25.0	20.0	5.0	5.0	35.5	736014	10

Wire Pins – Flat Version

**Wire Pins,
Flat Version,
0.25–6.6 mm²**

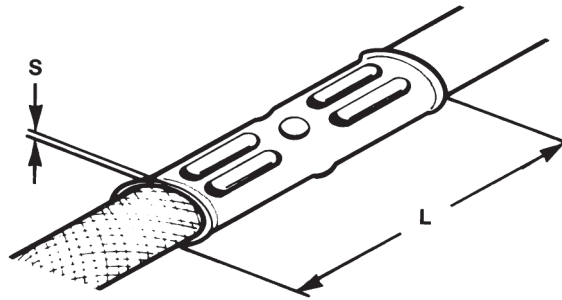


0.25–6.6 mm²

Wire Size Range		DIN Wire Size Range (mm)	Dimensions (mm)				Part Number	Package Quantity
(mm ²)	AWG		X	W	T	L		
0.25–1.6	22–16	0.5–1.0	11.0	2.9	0.8	16.8	131440	100
1.0–2.6	16–14	>1.0–2.5	11.0	2.9	0.8	16.8	131441	100
2.7–6.6	12–10	>2.5–6.0	12.4	4.1	1.0	20.6	131442	50

Butt Splices

**Butt Splices,
0.25–304.0 mm²**



0.25–6.6 mm²

Wire Size Range		DIN Wire Size Range (mm)	Dimensions (mm)		Part Number	Package Quantity
Code	(mm ²)		L	S		
AWG 22–16	0.25–1.6	>0.5–1.0	14.3	0.8	31818	100
AWG 16–14	1.0–2.6	>1.0–2.5	14.4	0.8	31819	100
AWG 12–10	2.7–6.6	>2.5–6.0	14.4	1.0	32151	100

6.7–42.4 mm²

Wire Size Range		DIN Wire Size Range (mm)	Dimensions (mm)		Part Number	Package Quantity
Code	(mm ²)		L	S		
AWG 8	6.7–10.5	>6.0–10.0	21.0	1.2	34321	100
AWG 6	10.6–16.7	>10.0–16.0	25.8	1.45	34322	100
AWG 4	16.8–26.6	>16.0–25.0	28.6	1.8	34323	100
AWG 2	26.7–42.4	>25.0–35.0	32.1	1.8	35189	50

42.5–120.0 mm²

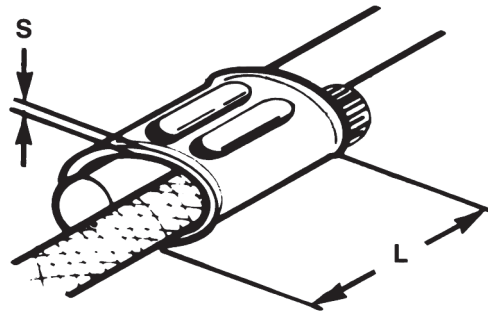
Wire Size Range		DIN Wire Size Range (mm)	Dimensions (mm)		Part Number	Package Quantity
Code	(mm ²)		L	S		
AWG 1/0	42.5–60.5	>35.0–50.0	36.1	1.8	36957	50
AWG 2/0	60.6–76.2	>50.0–70.0	36.5	2.0	36958	50
AWG 3/0	76.3–97.0	>70.0–95.0	37.3	2.3	36959	50
AWG 4/0	98.0–120.0	>95.0–120.0	37.7	2.6	36960	50

121.0–304.0 mm²

Wire Size Range		DIN Wire Size Range (mm)	Dimensions (mm)		Part Number	Package Quantity
Code	(mm ²)		L	S		
250/300 MCM	121.0–151.0	>120.0–150.0	52.4	3.2	322279	25
300/350 MCM	152.0–192.0	–	55.5	3.45	322280	25
250/400 MCM	193.0–242.0	–	61.9	3.9	322281	25
500/600 MCM	243.0–304.0	–	70.6	4.5	322282	25

Parallel Splices

**Parallel Splices,
0.25–304.0 mm²**



0.25–6.6 mm²

Wire Size Range		DIN Wire Size Range (mm)	Dimensions (mm)		Part Number	Package Quantity
Code	(mm ²)		L	S		
AWG 22–16	0.25–1.6	>0.5–1.0	7.6	0.8	34130	100
AWG 16–14	1.0–2.6	>1.0–2.5	7.6	0.8	34137	100
AWG 12–10	2.7–6.6	>2.5–6.0	7.6	1.0	34138	100

6.7–42.4 mm²

Wire Size Range		DIN Wire Size Range (mm)	Dimensions (mm)		Part Number	Package Quantity
Code	(mm ²)		L	S		
AWG 8	6.7–10.5	>6.0–10.0	9.5	1.2	34318	500
AWG 6	10.6–16.7	>10.0–16.0	11.1	1.45	34319	500
AWG 4	16.8–26.6	>16.0–25.0	13.5	1.8	34320	100
AWG 2	26.7–42.4	>25.0–35.0	16.3	1.8	35187	50

42.5–120.0 mm²

Wire Size Range		DIN Wire Size Range (mm)	Dimensions (mm)		Part Number	Package Quantity
Code	(mm ²)		L	S		
AWG 1/0	42.5–60.5	>35.0–50.0	18.6	1.8	36946	50
AWG 2/0	60.6–76.2	>50.0–70.0	18.6	2.0	36948	50
AWG 3/0	76.3–97.0	>70.0–95.0	19.0	2.3	36909	50
AWG 4/0	98.0–120.0	>95.0–120.0	19.4	2.6	36951	50

121.0–304.0 mm²

Wire Size Range		DIN Wire Size Range (mm)	Dimensions (mm)		Part Number	Package Quantity
Code	(mm ²)		L	S		
250/300 MCM	121.0–151.0	>120.0–150.0	26.2	3.2	322275	25
300/350 MCM	152.0–192.0	–	27.8	3.45	322276	25
250/400 MCM	193.0–242.0	–	30.9	3.9	322277	25
500/600 MCM	243.0–304.0	–	35.3	4.5	322278	25

Application Tooling

**Tooling for SOLISTRAND
Un-Insulated
Terminals and Splices**

Tool Grade	Wire Size		Description	Part Number	Instruction Sheet
	(mm ²)	(AWG)			
Service	0.5–6.0	22–10	Die-Set Service Tool Kit	3-1579016-3*	–
Commercial	0.4–6.0	22–10	PRO-CRIMPER III Tool & Die-Set	58546-1	408-4047
	0.4–6.0	22–10	Double Action Hand Tool (DAHT)	49935	408-1542
Premium	10	8	Heavy Head Hand Tool (HHHT)	69355	408-1254
	10–35	8–2	Hydraulic Hand Crimping Tool with Integral Dies	59975-1	408-6758

*) Use in Hand Tool, Part No. **3-1579000-0**

Battery Tool Kits

Dies or heads can be removed from the listed tools and used with:

Part No. **1725837-[x]** for PRO-CRIMPER Tool & Die-Set

Part No. **1213804-[x]** for Double Action Hand Tool (DAHT)

Part No. **1901235-[x]** for Heavy Head Hand Tool (HHHT)



Specific dash numbers designate the type of power plug fixed to the charger.

Please call your local TE Connectivity contact or visit our Tooling Website to establish the correct dash number.

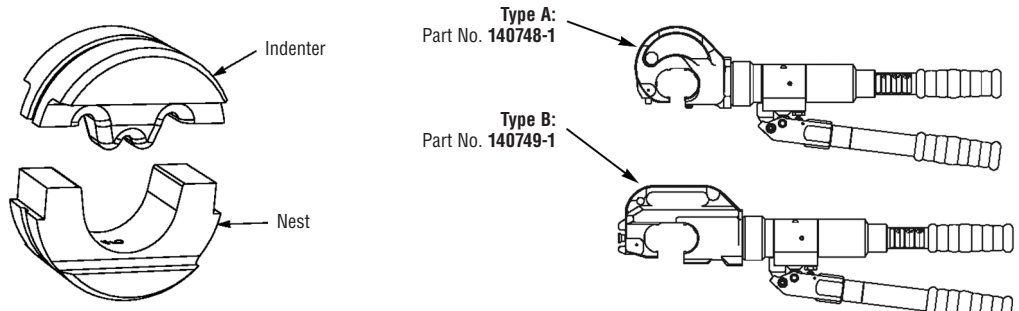
<http://www.tooling.tycoelectronics.com/europe/Handtools.asp>

Application Tooling (continued)

U-Die Hydraulic Hand Tools

Type A:
12 Ton Tool
Part No. **1490748-1**
(Instruction Sheet 408-8716)

Type B:
14 Ton Tool
Part No. **1490749-1**
(Instruction Sheet 408-8717)



Hydraulic Heads
10,000 psi Operating Pressure

Type A:
12 Ton Head
Part No. **1490745-1**
(Instruction Sheet 408-8713)

Type B:
14 Ton Head
Part No. **1490746-1**
(Instruction Sheet 408-8714)

Wire Size		Part Numbers	
(mm ²)	(AWG)	Fixed Die (Nest)	Moving Die (Indenter)
7.0–8.5	8	1490413-1	1490414-1
13–15	6	1490413-2	
21	4	1490413-3	1490414-2
34–35	2	1490413-4	
50–60	1/0	1490413-5	
67–70	2/0	1490413-6	
80–95	3/0	1490413-7	1490414-3
100–125	4/0	1490413-8	

Shank Die Hydraulic Crimp Tooling 10000 psi Operating Pressure

Hydraulic Head		1673672-1	1752868-1	1752786-1	1752788-1
Wire Size		Part Numbers			
(mm ²)	(AWG)	Die Set	Die Set	Die Set	Die Set
7.0–8.5	8	●	69216	–	–
13–15	6	●	69217	–	–
21	4	●	69218	–	–
34–35	2	●	45433	–	–
50–60	1/0	–	45436	–	–
67–70	2/0	–	45439	–	–
80–95	3/0	–	45442	–	–
100–125	4/0	–	45445	–	–
127–152	250–300 MCM	–	–	69911	48816
152–177	300–350 MCM	–	–	69912	48817
203	400 MCM	–	–	69913	48818
253–304	500–600 MCM	–	–	69914	48819

● No crimp dies required

For Heads, Pumps and Accessories, please enter the relevant Die Part Number in the online search here
<http://www.tooling.tycoelectronics.com/europe/Handtools.asp>

Application Tooling (continued)

626 Pneumatic Tooling Systems for SOLISTRAND Un-Insulated Terminals and Splices

Product	Wire Size		Part Numbers		Instruction Sheet
	(mm ²)	(AWG)	Crimping Head	Tool Holder	
SOLISTRAND	0.4–6.0	22–10	679301-1		
	10.0	8	1338757-1	358302-1	408-4072
	16.0	6	1338758-1*		

*) Power Units with Booster required.

Power Units for 626 Pneumatic Tooling Systems

Instruction Sheet: 409-5862

System requires:

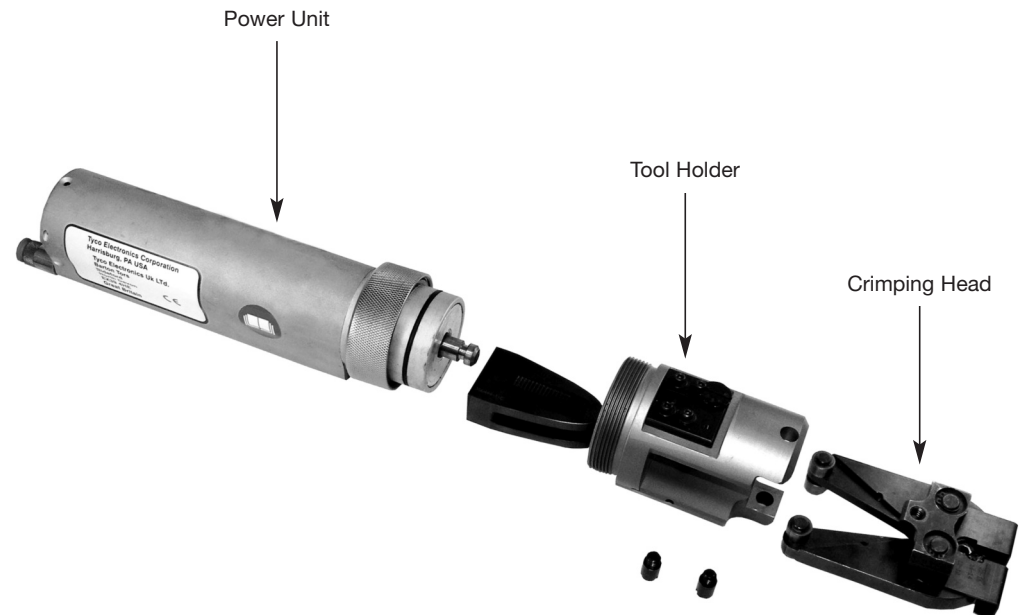
Crimping Head + Tool Holder + Hand Actuated or Foot Actuated Power Unit

Hand Actuated:
Part No. **189721-1**

Foot Actuated:
Part No. **189722-1**

With Booster:
Part No. **189721-2**

With Booster:
Part No. **189722-2**



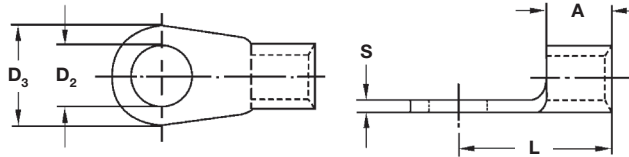
Find the latest Tooling and Equipment options for your applications at
<http://www.tooling.tycoelectronics.com/europe/handtool.stm>

Wire Size Range 0.5–6.0 mm²

Material and Finish

Material:

Copper, tin plated



Wire Size Range 0.5–1.0 mm²

Bolt M	Stud Hole	Dimensions					Part Number
		D ₂	D ₃	A	L	S	
2.6 .102	2.8 .110	2.8 .110	6.0 .236	5.0 .197	11.0 .433	0.8 .031	165290
3.0 .118	3.2 .126	3.2 .126	6.0 .236	5.0 .197	11.0 .433	0.8 .031	165291
3.5 .138	3.7 .146	3.7 .146	6.0 .236	5.0 .197	11.0 .433	0.8 .031	165292
4.0 .157	4.3 .169	4.3 .169	8.0 .315	5.0 .197	12.0 .472	0.8 .031	165293
5.0 .197	5.3 .209	5.3 .209	10.0 .394	5.0 .197	13.0 .512	0.8 .031	165294

Wire Size Range 1.0–2.5 mm²

Bolt M	Stud Hole	Dimensions					Part Number
		D ₂	D ₃	A	L	S	
3.0 .118	3.2 .126	3.2 .126	6.0 .236	5.0 .197	11.0 .433	0.8 .031	165295
3.5 .138	3.7 .146	3.7 .146	6.0 .236	5.0 .197	11.0 .433	0.8 .031	165296
4.0 .157	4.3 .169	4.3 .169	8.0 .315	5.0 .197	12.0 .472	0.8 .031	165297
5.0 .197	5.3 .209	5.3 .209	10.0 .394	5.0 .197	14.0 .551	0.8 .031	165298
6.0 .236	6.5 .256	6.5 .256	11.0 .433	5.0 .197	16.0 .630	0.8 .031	165299
8.0 .315	8.4 .331	8.4 .331	14.0 .551	5.0 .197	17.0 .669	0.8 .031	165300

Wire Size Range 2.5–6.0 mm²

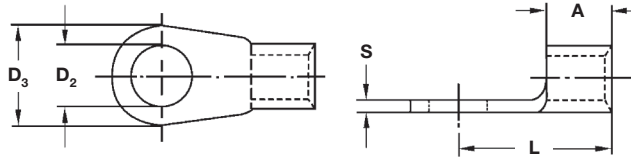
Bolt M	Stud Hole	Dimensions					Part Number
		D ₂	D ₃	A	L	S	
4.0 .157	4.3 .169	4.3 .169	8.0 .315	6.0 .236	14.0 .551	1.0 .039	165301
5.0 .197	5.3 .209	5.3 .209	10.0 .394	6.0 .236	15.0 .591	1.0 .039	165302
6.0 .236	6.5 .256	6.5 .256	11.0 .433	6.0 .236	16.0 .630	1.0 .039	165303
8.0 .315	8.4 .331	8.4 .331	14.0 .551	6.0 .236	19.0 .748	1.0 .039	165304
10.0 .394	10.5 .413	10.5 .413	18.0 .709	6.0 .236	21.0 .827	1.0 .039	165305

Wire Size Range 6.0–25.0 mm²

Material and Finish

Material:

Copper, tin plated



Wire Size Range 6.0–10.0 mm²

Bolt M	Stud Hole	Dimensions					Part Number
		D ₂	D ₃	A	L	S	
5.0 .197	5.3 .209	5.3 .209	10.0 .394	8.0 .315	16.0 .630	1.1 .043	726343
6.0 .236	6.5 .256	6.5 .256	11.0 .433	8.0 .315	17.0 .669	1.1 .043	726343-1
8.0 .315	8.4 .331	8.4 .331	14.0 .551	8.0 .315	20.0 .787	1.1 .043	726343-2
10.0 .394	10.5 .413	10.5 .413	18.0 .709	8.0 .315	21.0 .827	1.1 .043	726343-3
12.0 .472	13.0 .512	13.0 .512	22.0 .866	8.0 .315	23.0 .906	1.1 .043	726343-4

Wire Size Range 10.0–16.0 mm²

Bolt M	Stud Hole	Dimensions					Part Number
		D ₂	D ₃	A	L	S	
5.0 .197	5.3 .209	5.3 .209	11.0 .433	10.0 .394	20.0 .787	1.2 .047	726344
6.0 .236	6.5 .256	6.5 .256	11.0 .433	10.0 .394	20.0 .787	1.2 .047	726344-1
8.0 .315	8.4 .331	8.4 .331	14.0 .551	10.0 .394	22.0 .866	1.2 .047	726344-2
10.0 .394	10.5 .413	10.5 .413	18.0 .709	10.0 .394	24.0 .945	1.2 .047	726344-3
12.0 .472	13.0 .512	13.0 .512	22.0 .866	10.0 .394	26.0 1.024	1.2 .047	726344-4

Wire Size Range 16.0–25.0 mm²

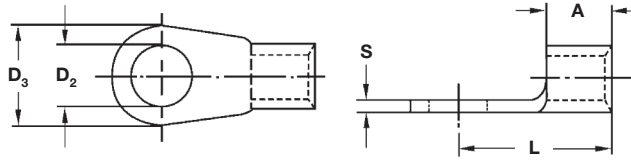
Bolt M	Stud Hole	Dimensions					Part Number
		D ₂	D ₃	A	L	S	
5.0 .197	5.3 .209	5.3 .209	12.0 .472	11.0 .433	25.0 .984	1.5 .059	726345
6.0 .236	6.5 .256	6.5 .256	12.0 .472	11.0 .433	25.0 .984	1.5 .059	726345-1
8.0 .315	8.4 .331	8.4 .331	16.0 .630	11.0 .433	25.0 .984	1.5 .059	726345-2
10.0 .394	10.5 .413	10.5 .413	18.0 .709	11.0 .433	26.0 1.024	1.5 .059	726345-3
12.0 .472	13.0 .512	13.0 .512	22.0 .866	11.0 .433	31.0 1.220	1.5 .059	726345-4
16.0 .630	17.0 .669	17.0 .669	28.0 1.102	11.0 .433	35.0 1.338	1.5 .059	726345-5

Wire Size Range 25.0–70.0 mm²

Material and Finish

Material:

Copper, tin plated



Wire Size Range 25.0–35.0 mm²

Bolt M	Stud Hole	Dimensions					Part Number
		D ₂	D ₃	A	L	S	
6.0 .236	6.5 .256	6.5 .256	15.0 .591	12.0 .472	26.0 1.024	1.6 .063	726346
8.0 .315	8.4 .331	8.4 .331	16.0 .630	12.0 .472	26.0 1.024	1.6 .063	726346-1
10.0 .394	10.5 .413	10.5 .413	18.0 .709	12.0 .472	27.0 1.063	1.6 .063	726346-2
12.0 .472	13.0 .512	13.0 .512	22.0 .866	12.0 .472	31.0 1.220	1.6 .063	726346-3
16.0 .630	17.0 .669	17.0 .669	28.0 1.102	12.0 .472	36.0 1.417	1.6 .063	726346-4

Wire Size Range 35.0–50.0 mm²

Bolt M	Stud Hole	Dimensions					Part Number
		D ₂	D ₃	A	L	S	
6.0 .236	6.5 .256	6.5 .256	18.0 .709	16.0 .630	34.0 1.339	1.8 .071	726347
8.0 .315	8.4 .331	8.4 .331	18.0 .709	16.0 .630	34.0 1.339	1.8 .071	726347-1
10.0 .394	10.5 .413	10.5 .413	18.0 .709	16.0 .630	34.0 1.339	1.8 .071	726347-2
12.0 .472	13.0 .512	13.0 .512	22.0 .866	16.0 .630	36.0 1.417	1.8 .071	726347-3
16.0 .630	17.0 .669	17.0 .669	28.0 1.102	16.0 .630	40.0 1.575	1.8 .071	726347-4

Wire Size Range 50.0–70.0 mm²

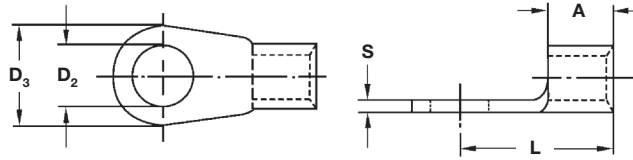
Bolt M	Stud Hole	Dimensions					Part Number
		D ₂	D ₃	A	L	S	
8.0 .315	8.4 .331	8.4 .331	22.0 .866	18.0 .709	38.0 1.496	2.0 .079	726348-1
10.0 .394	10.5 .413	10.5 .413	22.0 .866	18.0 .709	38.0 1.496	2.0 .079	726348-2
12.0 .472	13.0 .512	13.0 .512	22.0 .866	18.0 .709	38.0 1.496	2.0 .079	726348-3
16.0 .630	17.0 .669	17.0 .669	28.0 1.102	18.0 .709	42.0 1.654	2.0 .079	726348-4

Wire Size Range 70.0–240.0 mm²

Material and Finish

Material:

Copper, tin plated



Wire Size Range 70.0–95.0 mm²

Bolt M	Stud Hole	Dimensions					Part Number
		D ₂	D ₃	A	L	S	
10.0 .394	10.5 .413	10.5 .413	24.0 .945	20.0 .787	42.0 1.654	2.5 .098	726349-1
12.0 .472	13.0 .512	13.0 .512	24.0 .945	20.0 .787	42.0 1.654	2.5 .098	726349-2
16.0 .630	17.0 .669	17.0 .669	28.0 1.102	20.0 .787	44.0 1.732	2.5 .098	726349-3

Wire Size Range 95.0–120.0 mm²

Bolt M	Stud Hole	Dimensions					Part Number
		D ₂	D ₃	A	L	S	
10.0 .394	10.5 .413	10.5 .413	24.0 .945	22.0 .866	44.0 1.732	3.0 .118	726350-1
12.0 .472	13.0 .512	13.0 .512	24.0 .945	22.0 .866	44.0 1.732	3.0 .118	726350-2
16.0 .630	17.0 .669	17.0 .669	28.0 1.102	22.0 .866	48.0 1.890	3.0 .118	726350-3

Wire Size Range 120.0–150.0 mm²

Bolt M	Stud Hole	Dimensions					Part Number
		D ₂	D ₃	A	L	S	
12.0 .472	13.0 .512	13.0 .512	30.0 1.181	24.0 .945	50.0 1.969	3.2 .126	726351-1
16.0 .630	17.0 .669	17.0 .669	30.0 1.181	24.0 .945	50.0 1.969	3.2 .126	726351-2

Wire Size Range 150.0–185.0 mm²

Bolt M	Stud Hole	Dimensions					Part Number
		D ₂	D ₃	A	L	S	
12.0 .472	13.0 .512	13.0 .512	36.0 1.417	28.0 1.102	50.0 1.969	3.5 .138	726352-1
16.0 .630	17.0 .669	17.0 .669	36.0 1.417	28.0 1.102	50.0 1.969	3.5 .138	726352-2

Wire Size Range 185.0–240.0 mm²

Bolt M	Stud Hole	Dimensions					Part Number
		D ₂	D ₃	A	L	S	
12.0 .472	13.0 .512	13.0 .512	38.0 1.486	32.0 1.260	56.0 2.205	4.0 .157	726353-1
16.0 .630	17.0 .669	17.0 .669	38.0 1.496	32.0 1.260	56.0 2.205	4.0 .157	726353-2

Cross Reference for Small Packaging

Standard Package	Description	Small Pack Order Number	Primary Package Quantity	Minimum Order Quantity
825036	CES Assembly	6-1377173-1	25	500
31818	SOLISTRAND BUTT SPLICE	7-1377172-1	100	2,000
31819	SOLISTRAND BUTT SPLICE	7-1377172-2	100	2,000
32151	SOLISTRAND BUTT SPLICE	7-1377172-3	100	2,000
180599	SOLISTRAND WIRE PIN	6-1377172-8	50	1,000
736013	SOLISTRAND WIRE PIN	6-1377172-9	25	500
736014	SOLISTRAND WIRE PIN	7-1377172-0	10	200
165140	SOLISTRAND WIRE PIN	6-1377172-3	100	2,000
165045	SOLISTRAND WIRE PIN	6-1377172-5	100	2,000
165166	SOLISTRAND WIRE PIN	6-1377172-4	100	2,000
165170	SOLISTRAND WIRE PIN	6-1377172-6	100	2,000
165048	SOLISTRAND WIRE PIN	6-1377172-7	100	2,000
34130	SOLISTRAND PARALLEL SPLICE	7-1377172-4	100	2,000
34137	SOLISTRAND PARALLEL SPLICE	7-1377172-5	100	2,000
34138	SOLISTRAND PARALLEL SPLICE	7-1377172-6	100	2,000
160056	SOLISTRAND RING TONGUE	1-1377172-9	50	1,000
160032	SOLISTRAND RING TONGUE	2-1377172-3	50	1,000
160075	SOLISTRAND RING TONGUE	2-1377172-8	10	200
160003	SOLISTRAND RING TONGUE	4-1377172-4	5	100
160121	SOLISTRAND RING TONGUE	1-1377172-5	100	2,000
320344	SOLISTRAND RING TONGUE	2-1377172-4	25	500
35668	SOLISTRAND RING TONGUE	3-1377172-0	10	200
327175	SOLISTRAND RING TONGUE	2-1377172-9	10	200
34104	SOLISTRAND RING TONGUE	1377172-1	100	2,000
34120	SOLISTRAND RING TONGUE	1377172-6	100	2,000
34105	SOLISTRAND RING TONGUE	1377172-2	100	2,000
34111	SOLISTRAND RING TONGUE	1377172-3	100	2,000
34122	SOLISTRAND RING TONGUE	1377172-7	100	2,000
32994	SOLISTRAND RING TONGUE	1-1377172-1	100	2,000
160013	SOLISTRAND RING TONGUE	1-1377172-6	50	1,000
130552	SOLISTRAND RING TONGUE	2-1377172-0	50	1,000
160119	SOLISTRAND RING TONGUE	2-1377172-5	10	200
130017	SOLISTRAND RING TONGUE	1377172-4	100	2,000
130106	SOLISTRAND RING TONGUE	1377172-8	100	2,000
130191	SOLISTRAND RING TONGUE	1-1377172-2	100	2,000
33461	SOLISTRAND RING TONGUE	1-1377172-7	50	1,000
33465	SOLISTRAND RING TONGUE	2-1377172-1	50	1,000
33469	SOLISTRAND RING TONGUE	2-1377172-6	10	200
34113	SOLISTRAND RING TONGUE	1377172-5	100	2,000
34124	SOLISTRAND RING TONGUE	1377172-9	100	2,000
35772	SOLISTRAND RING TONGUE	1-1377172-3	100	2,000
33462	SOLISTRAND RING TONGUE	1-1377172-8	50	1,000
33466	SOLISTRAND RING TONGUE	2-1377172-2	50	1,000
33470	SOLISTRAND RING TONGUE	2-1377172-7	10	200
34125	SOLISTRAND RING TONGUE	1-1377172-0	100	2,000
35773	SOLISTRAND RING TONGUE	1-1377172-4	100	2,000
130524	SOLISTRAND SPADE	5-1377172-0	100	2,000
36195	SOLISTRAND SPADE	5-1377172-2	100	2,000
323127	SOLISTRAND SPADE	5-1377172-1	100	2,000

Cross Reference for Small Packaging (continued)

Standard Package	Description	Small Pack Order Number	Primary Package Quantity	Minimum Order Quantity
322996	SOLISTRAND SPADE	5-1377172-6	100	2,000
34117	SOLISTRAND SPADE	5-1377172-4	100	2,000
130519	SOLISTRAND SPADE	5-1377172-3	100	2,000
36880	SOLISTRAND SPADE	5-1377172-8	100	2,000
130534	SOLISTRAND SPADE	5-1377172-7	100	2,000
130499	SOLISTRAND SPADE	6-1377172-1	50	1,000
34118	SOLISTRAND SPADE	5-1377172-5	100	2,000
160127	SOLISTRAND SPADE	5-1377172-9	100	2,000
130539	SOLISTRAND SPADE	6-1377172-0	100	2,000
130624	SOLISTRAND SPADE	6-1377172-2	50	1,000
323796	SOLISTRAND BUTT SPLICE	8-1377172-6	50	1,000
323795	SOLISTRAND BUTT SPLICE	8-1377172-7	50	1,000
323755	SOLISTRAND BUTT SPLICE	8-1377172-8	50	1,000
322324	SOLISTRAND BUTT SPLICE	8-1377172-9	50	1,000
322345	SOLISTRAND BUTT SPLICE	9-1377172-0	50	1,000
323696	SOLISTRAND BUTT SPLICE	9-1377172-1	50	1,000
322693	SOLISTRAND RING TONGUE	7-1377172-9	50	1,000
322798	SOLISTRAND RING TONGUE	7-1377172-7	50	1,000
322694	SOLISTRAND RING TONGUE	8-1377172-0	50	1,000
323061	SOLISTRAND RING TONGUE	8-1377172-3	50	1,000
322799	SOLISTRAND RING TONGUE	7-1377172-8	50	1,000
322695	SOLISTRAND RING TONGUE	8-1377172-1	50	1,000
323062	SOLISTRAND RING TONGUE	8-1377172-4	50	1,000
322733	SOLISTRAND RING TONGUE	8-1377172-2	50	1,000
323063	SOLISTRAND RING TONGUE	8-1377172-5	50	1,000
35115	SOLISTRAND RING TONGUE	5-1377173-8	100	2,000
328730	SOLISTRAND RING TONGUE	5-1377173-9	50	1,000
160002	SOLISTRAND RING TONGUE	3-1377172-2	10	200
160000	SOLISTRAND RING TONGUE	3-1377172-6	10	200
160001	SOLISTRAND RING TONGUE	4-1377172-0	5	100
160129	SOLISTRAND RING TONGUE	4-1377172-7	5	100
35185	SOLISTRAND RING TONGUE	3-1377172-3	10	200
36919	SOLISTRAND RING TONGUE	3-1377172-7	10	200
36925	SOLISTRAND RING TONGUE	4-1377172-1	5	100
36929	SOLISTRAND RING TONGUE	4-1377172-5	5	100
36934	SOLISTRAND RING TONGUE	4-1377172-8	5	100
36926	SOLISTRAND RING TONGUE	4-1377172-2	5	100
36930	SOLISTRAND RING TONGUE	4-1377172-6	5	100
36935	SOLISTRAND RING TONGUE	4-1377172-9	5	100
36921	SOLISTRAND RING TONGUE	3-1377172-8	5	100
321866	SOLISTRAND RING TONGUE	3-1377172-4	10	200
322870	SOLISTRAND RING TONGUE	3-1377172-1	10	200
36916	SOLISTRAND RING TONGUE	3-1377172-5	10	200
36922	SOLISTRAND RING TONGUE	3-1377172-9	5	100
321874	SOLISTRAND RING TONGUE	4-1377172-3	5	100

Engineering Notes

A large grid area for engineering notes, consisting of a uniform grid of small squares. The grid is empty and occupies the majority of the page's vertical space.