

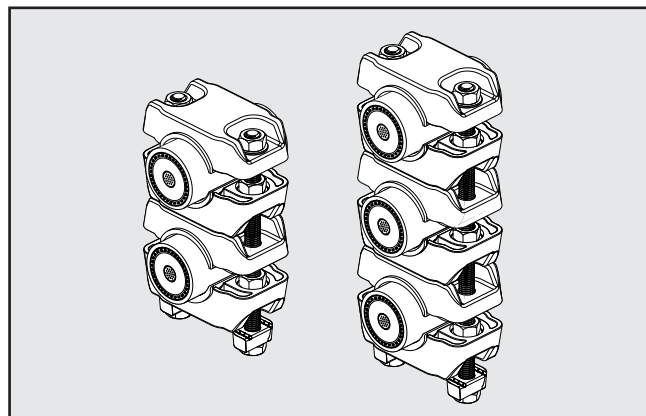
INSTALLATION INSTRUCTIONS

EPP-3857-7/22

Available sizes:

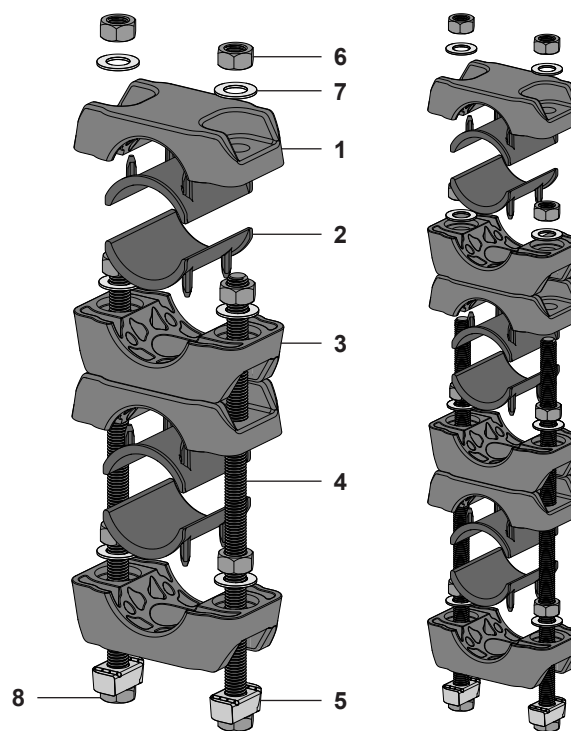
- CC15-26-SN-DOUB/TRIP
- CC26-38-SN-DOUB/TRIP
- CC38-50-SN-DOUB/TRIP
- CC50-75-SN-DOUB/TRIP
- CC75-100-SN-DOUB
- CC100-135-SN-DOUB

Stacked Cable Cleats



TE's Cable Accessories

#	Part Description	DOUB	TRIP
		Qty.	Qty.
1	Cleat top	2 pc	3 pc
2	EPDM insert	4 pcs	6 pcs
3	Cleat bottom	2 pc	3 pc
4	Stud	2 pcs	2 pcs
5	Strut nut	2 pcs	2 pcs
6	Nut	6 pcs	8 pcs
7	Washer	6 pcs	8 pcs
8	Half nut	2 pc	2 pc
9	Installation instructions	1 pc	1 pc



Connect with us: [TE.com/energy-contact](https://www.te.com/energy-contact)

For more information: [TE.com/energy](https://www.te.com/energy)

Please dispose of all waste according to environmental regulations.



The Information contained in these installation instructions is for use only by installers trained to make electrical power installations and is intended to describe the correct method of installation for this product. However, TE Connectivity has no control over the field conditions which influence product installation.

It is the user's responsibility to determine the suitability of the installation method in the user's field conditions.

TE Connectivity's only obligations are those in TE Connectivity's standard Conditions of Sale for this product and in no case will TE Connectivity be liable for any other incidental, indirect or consequential damages arising from the use or misuse of the products.

Raychem, TE, TE Connectivity and TE connectivity (logo) are trademarks. © 2022 TE Connectivity. All Rights Reserved.

Installation Instructions

