

INSTALLATION INSTRUCTIONS

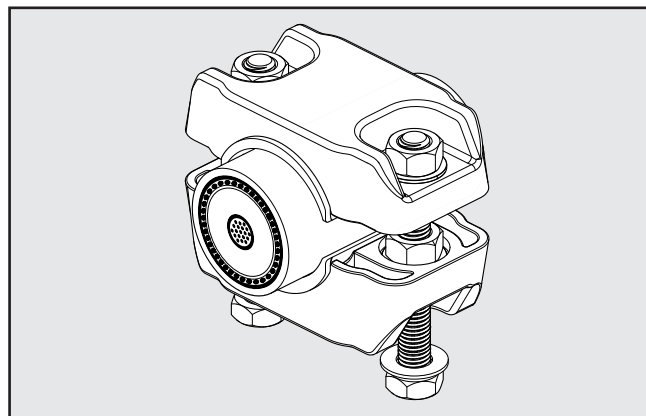
EPP-3807-7/22

Available sizes:

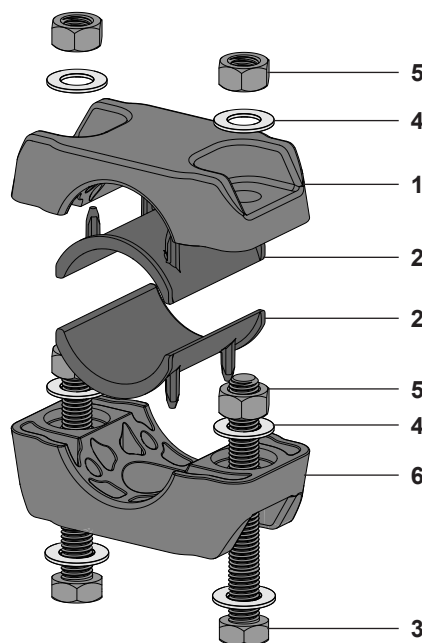
- CC15-26-FM
- CC26-38-FM
- CC38-50-FM
- CC50-75-FM
- CC75-100-FM
- CC100-135-FM

TE's Cable Accessories

Single Cable Cleats



#	Part Description	Qty.
1	Cleat top	1 pc
2	EPDM insert	2 pcs
3	Screw	2 pcs
4	Washer	6 pcs
5	Nut	4 pcs
6	Cleat bottom	1 pc
7	Installation instructions	1 pc



Watch installation video

VIEW-0196-B



Connect with us: [TE.com/energy-contact](https://www.te.com/energy-contact)

Please dispose of all waste according to environmental regulations.



For more information: [TE.com/energy](https://www.te.com/energy)

The Information contained in these installation instructions is for use only by installers trained to make electrical power installations and is intended to describe the correct method of installation for this product. However, TE Connectivity has no control over the field conditions which influence product installation.

It is the user's responsibility to determine the suitability of the installation method in the user's field conditions.

TE Connectivity's only obligations are those in TE Connectivity's standard Conditions of Sale for this product and in no case will TE Connectivity be liable for any other incidental, indirect or consequential damages arising from the use or misuse of the products.

Raychem, TE, TE Connectivity and TE connectivity (logo) are trademarks. © 2022 TE Connectivity. All Rights Reserved.

Installation Instructions

