

INSTALLATION INSTRUCTIONS

EPP-3734-2/21 (PN: 2383194-1)

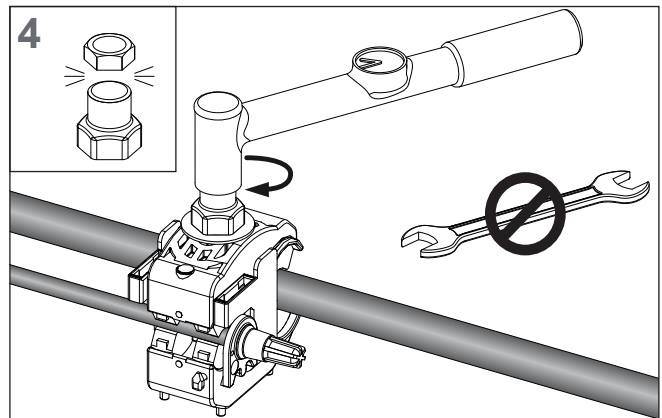
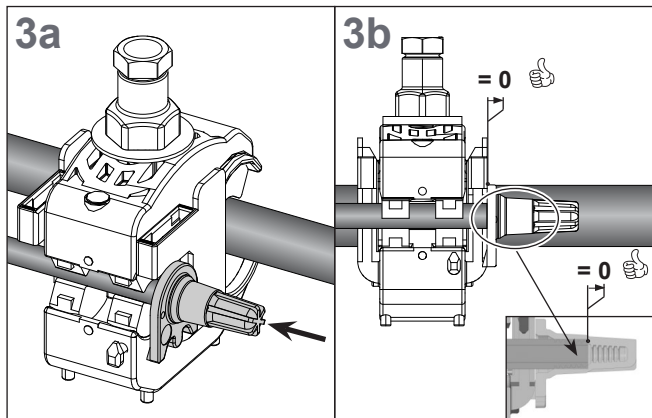
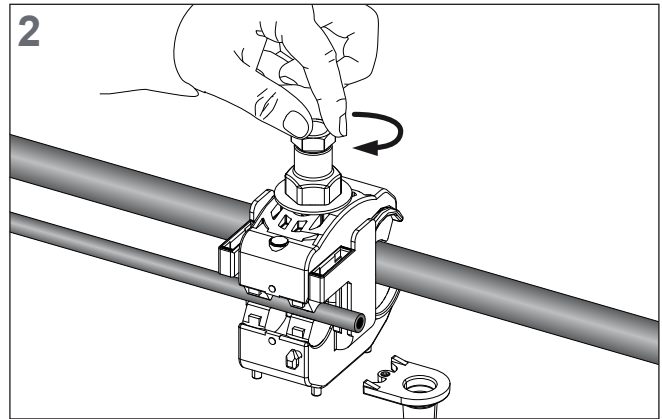
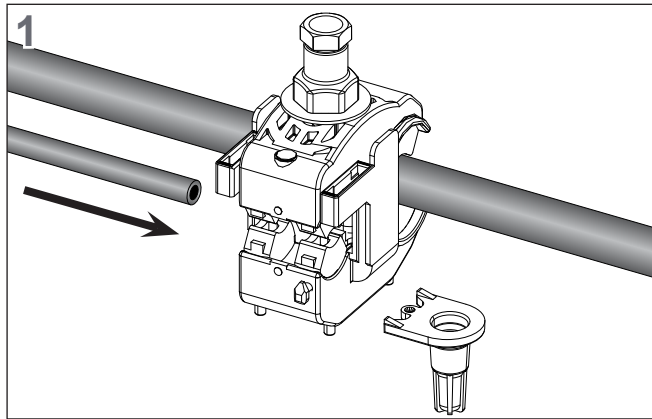
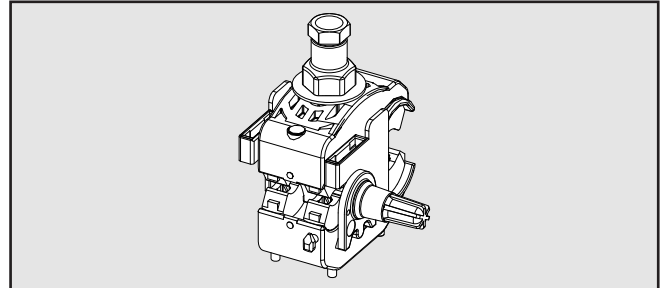
P2S240

Solar Insulation Piercing Connector For PV Cables Up to 1.5 kV DC

Application:

- Main side: 70-240 mm² Double insulated stranded (class 2) Al cables
- Tap side: 6-35 mm² Double insulated flexible (class 5) Cu cables

TE Connectors & Fittings



Tyco Electronics Simel S.A.S.
a TE Connectivity Ltd. Company
1 rue Paul Martin
21220 Gevrey-Chambertin, France
Phone : ++33(0)3 80 58 32 00
Fax : ++33(0)3 80 34 10 15

For more information: te.com/energy

Please dispose of all waste according to environmental regulations.



The Information contained in these installation instructions is for use only by installers trained to make electrical power installations and is intended to describe the correct method of installation for this product. However, TE Connectivity has no control over the field conditions which influence product installation. It is the user's responsibility to determine the suitability of the installation method in the user's field conditions. TE Connectivity's only obligations are those in TE Connectivity's standard Conditions of Sale for this product and in no case will TE Connectivity be liable for any other incidental, indirect or consequential damages arising from the use or misuse of the products.

Simel, TE, TE Connectivity and TE connectivity (logo) are trademarks. © 2021 TE Connectivity. All Rights Reserved.