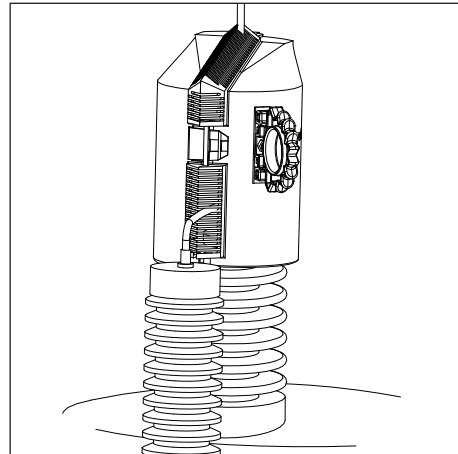




## TE's Raychem Cable Accessories



**Installation Instructions  
EPP-3225-10/18 • PII-55169**

**BCAC-5D/8**

**Bushing Connection Animal  
Cover**

To view the TE Energy website:



**Tyco Electronics Raychem GmbH**  
a TE Connectivity Ltd. Company  
Finsinger Feld 1  
85521 Ottobrunn/Munich, Germany  
Tel: +49-89-6089-0  
Fax: +49-89-6096-345  
[TE.com/energy](http://TE.com/energy)

## Before Starting

Check to ensure that the kit you are going to use fits the insulator/bushing.

Refer to the kit label and the title of the installation instructions.

Components or working steps may have been modified since you last installed this product.

Carefully read and follow the steps in the installation instructions

## General Information

Surface should be free of sharp edges or burrs and thoroughly cleaned and degreased before applying.

Check core preparation dimensions before installing the product.

### Cleaning the Cable

Use an approved solvent, such as the one supplied in the P63 Cable Prep Kit, to clean the cable. Be sure to follow the manufacturer's instructions. Failure to follow these instructions could lead to product failure.

Some newer solvents do not evaporate quickly and need to be removed with a clean, lint-free cloth. Failure to do so could change the volume resistivity of the substrate or leave a residue on the surface.

Please follow the manufacturer's instructions carefully.

## Safety Instructions

### **DANGER**

When installing electrical power system accessories, failure to follow applicable personal safety requirements and written installation instructions could result in fire or explosion and serious or fatal injuries.

As Tyco Electronics has no control over field conditions which influence product installation, it is understood that the user must take this into account and apply his own experience and expertise

---

The Information contained in these installation instructions is for use only by installers trained to make electrical power installations and is intended to describe the correct method of installation for this product. However, TE Connectivity has no control over the field conditions which influence product installation.

It is the user's responsibility to determine the suitability of the installation method in the user's field conditions.

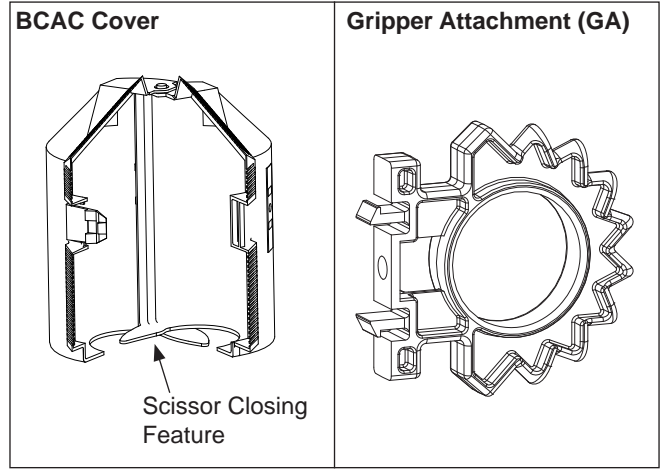
TE Connectivity's only obligations are those in TE Connectivity's standard Conditions of Sale for this product and in no case will TE Connectivity be liable for any other incidental, indirect or consequential damages arising from the use or misuse of the products.

Raychem, TE, TE Connectivity and TE connectivity (logo) are trademarks.

© 2018 TE Connectivity. All Rights Reserved.

**Componets For Installation**

- 1 BCAC Cover
- 1 Gripper Attachment
- 1 Bolt
- 1 Nut

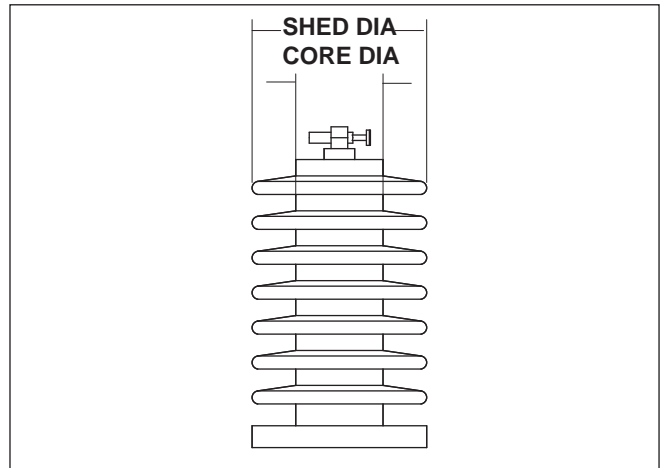


**Description**

BCAC - 5D/8-01 (B12)

**Cover Use Range**

- Bushing shed diameter 3.0"-4.75" (75mm-120mm)
- Bushing core diameter 1.7"-2.7" (43mm-68mm)



**Installation Instructions**

**1. Gripper Attachment Installation**

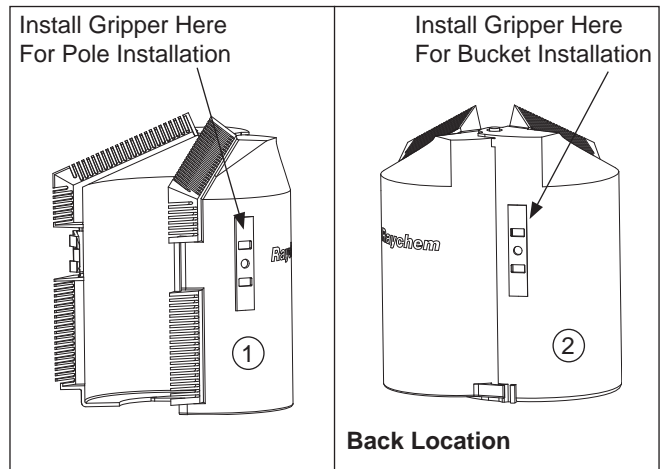
Install gripper attachment (GA) in either of the two locations as shown.

**Location 1:** If installing from pole or bucket below. (Most common location)

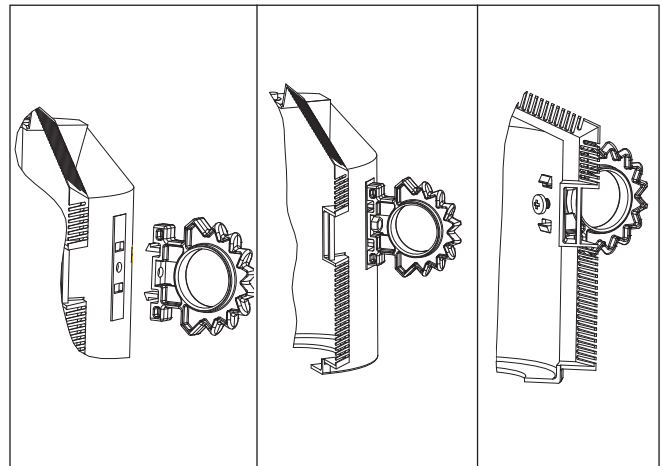
**Location 2:** If installing from a bucket at equal height.

**NOTE**

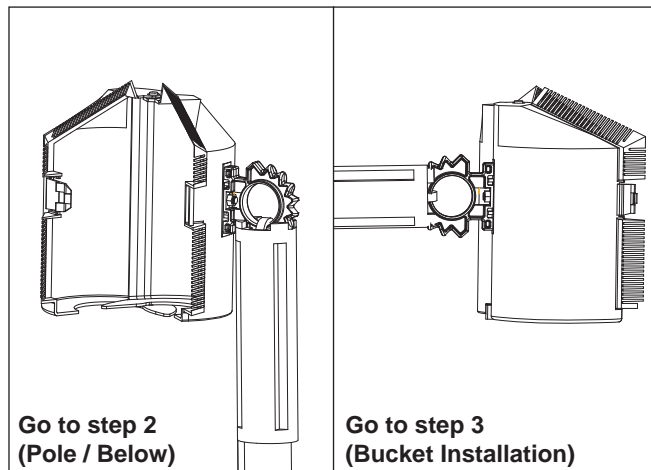
Discard gripper attachment if installing with rubber gloves.



Push the GA latches through the corresponding square openings in the part. You will feel the GA lock in place. Then take the small screw and hex nut and attach as shown.

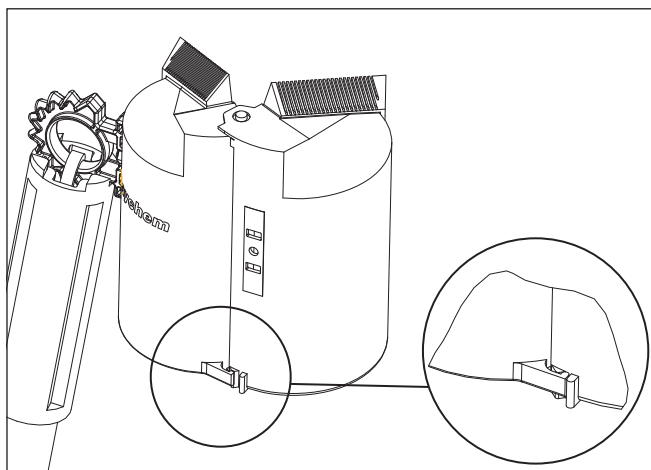


Take hot stick and grip the GA on the spurs which best suits the installation method (pole or bucket).

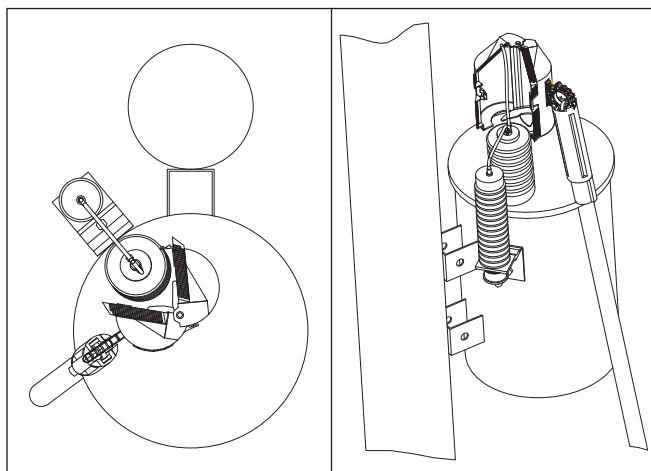


## 2. Hot Stick Installation From a Pole Below

Open the cover completely until the catch in the lower back locks the cover in the open position.



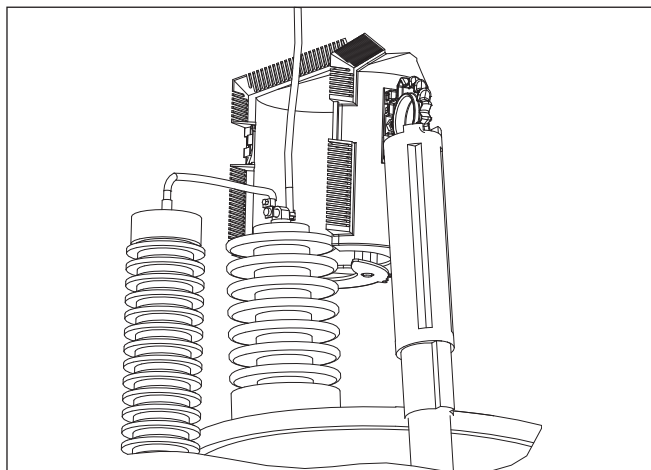
When two conductors are attached to the bushing. Position the cover for installation with the opening and scissor feature in line with the conductors.



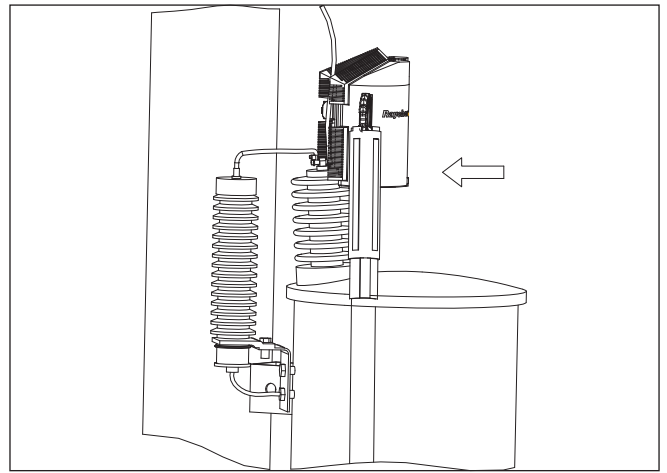
Place scissor feature between **first** and **second** skirts of the bushing.

### **NOTE**

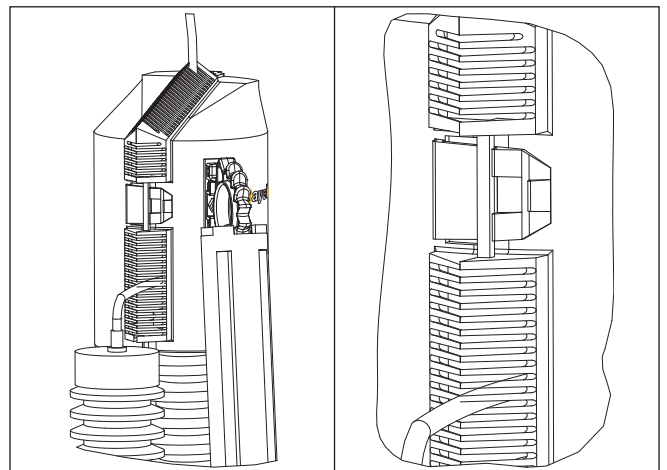
Do not cover more than one skirt.



Apply a slow constant force towards the bushing with the hot stick. Watch for alignment with the conductor.

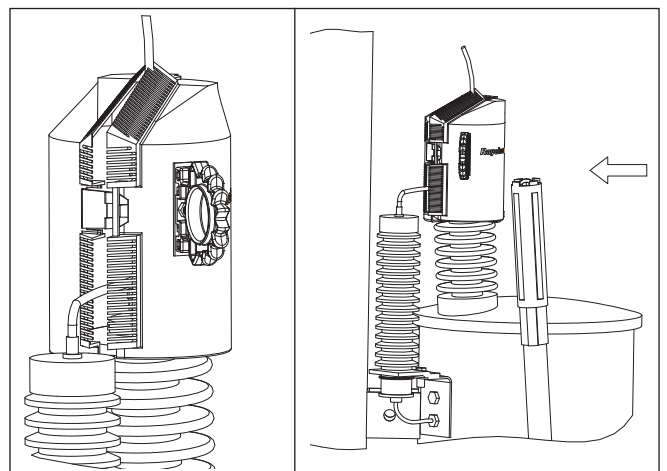


Make sure cover locks to the second latch step.



If cover only locks to first step, disconnect hot stick from gripper attachment (cover will stay in place on bushing) and give a slight tap on the back of the cover with the stick. This force will push the cover onto the second and final latch step.

**Installation is complete.**

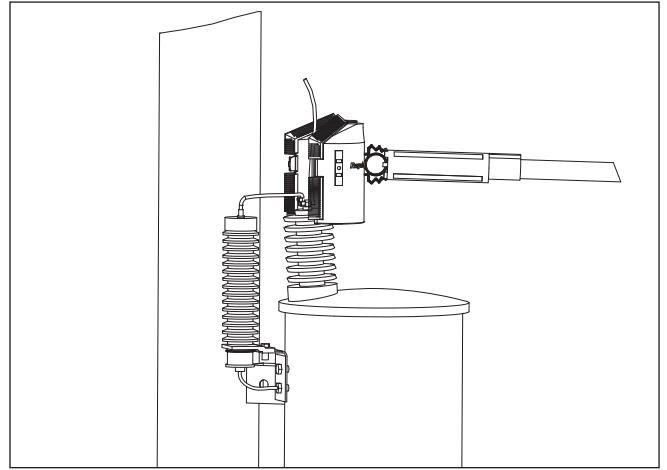


### 3. Hot Stick Installation From A Bucket

Hold gripper attachment as shown.

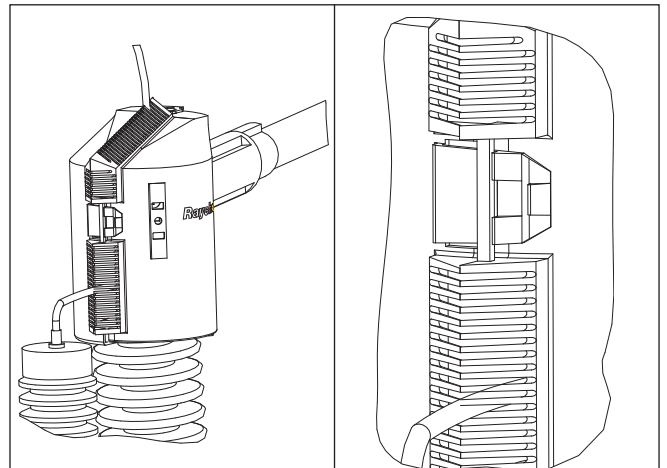
Place scissor feature between first and second skirts of the bushing.

Apply a constant force towards the bushing with the hotstick. Watch for alignment with conductor.



### 4. Make Sure Cover Locks To The Second Latch

Installation is complete



Please dispose of all waste according to environmental regulations.

