

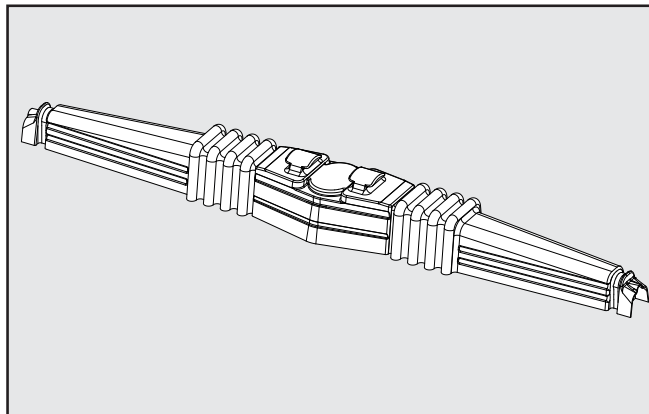


INSTALLATION INSTRUCTIONS

EPP-0595-8/23

Bird Protection Cap on Post Insulators of Overhead Lines

BCIC-3313 / BCIC-3314



TE's Insulation & Protection

Please dispose of all waste according to environmental regulations.



For more information: te.com/energy

Tyco Electronics Raychem GmbH
a TE Connectivity Ltd. Company
Finsinger Feld 1
85521 Ottobrunn/Munich, Germany
Tel: +49-89-6089-0
Fax: +49-89-6096-345

Customer Service

For 24 hour customer service, call 800-327-6996.

TE Connectivity

8000 Purfoy Road
Fuquay-Varina NC 27526
Tel: (919) 552-3811
Fax: (919) 557-8404

The Information contained in these installation instructions is for use only by installers trained to make electrical power installations and is intended to describe the correct method of installation for this product. However, TE Connectivity (TE) has no control over the field conditions which influence product installation. It is the user's responsibility to determine the suitability of the installation method in the user's field conditions. TE's only obligations are those in TE's standard Conditions of Sale for this product and in no case will TE be liable for any other incidental, indirect or consequential damages arising from the use or misuse of the products.

Raychem, TE, TE Connectivity and TE connectivity (logo) are trademarks.
© 2023 TE Connectivity. All Rights Reserved.

Before Starting

- Check to ensure that the kit you are going to use fits the insulator/bushing.
- Refer to the kit label and the title of the installation instructions.
- Components or working steps may have been modified since you last installed this product.
- Carefully read and follow the steps in the installation instructions.

Safety Instructions

⚠ DANGER

When installing electrical power system accessories, failure to follow applicable personal safety requirements and written installation instructions could result in fire or explosion and serious or fatal injuries.

⚠ DANGER

As TE Connectivity (TE) has no control over field conditions which influence product installation, it is understood that the user must take this into account and apply his own experience and expertise when installing product.

⚠ DANGER

Working around energized highvoltage systems may cause serious injury or death. Installation should be performed by personnel familiar with good safety practice in handling high-voltage electrical equipment.

⚠ DANGER

Power distribution and transmission products must be properly selected for the intended application. It must be installed and serviced by competent personnel who have been trained and understand proper safety procedures. These instructions are written for such personnel and are not a substitute for adequate training and experience in safety procedures.

⚠ CAUTION

Read and understand the contents of these instructions before installation and follow all locally approved procedures and safety practices before installing or operating this equipment.

⚠ CAUTION

These instructions cannot cover all details or variations in the equipment, procedures, or processes described, nor provide directions for meeting every possible contingency during installation, operation, or maintenance. When additional information is desired to satisfy a problem not covered sufficiently for the user's purpose, please contact your TE sales representative.

These instructions are not intended to supersede or replace existing safety and operating procedures.

NOTICE

Upon receipt of a product, inspect it thoroughly for damage and loss of parts incurred during shipment. If damage or loss is discovered, file a claim with the carrier immediately or contact your TE representative.

General Instructions

Before starting work, the five safety rules for operation and switching operations according to VDE 0101 must be observed.

Check defective points and replace if necessary. Clean polluted insulators.

⚠ WARNING

When mounting the BCIC Birdcap Protection Covers on live lines, the regulations of the EVUs must be observed.

Installation Instructions – Application Information

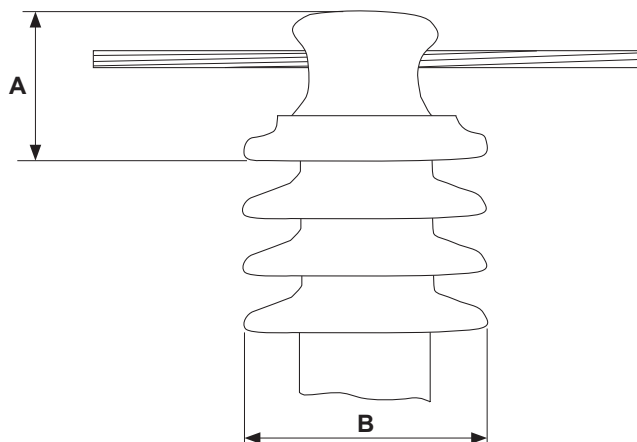
Product Application Guidelines

The bird cap allows its application on different insulator fittings and on bent conductors. If the conductor is fixed aside of the insulator head, a separate piece of conductor has to be fixed to the other side of the insulator and the overhead line.

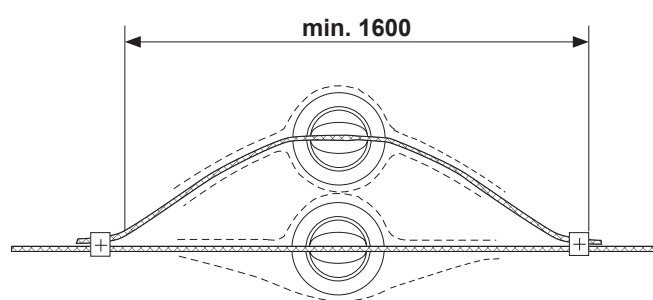
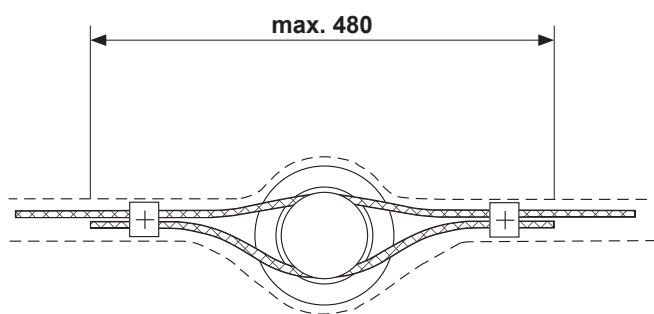
For dimensional requirements see drawings and table below.

Dimensional Requirements of Insulator

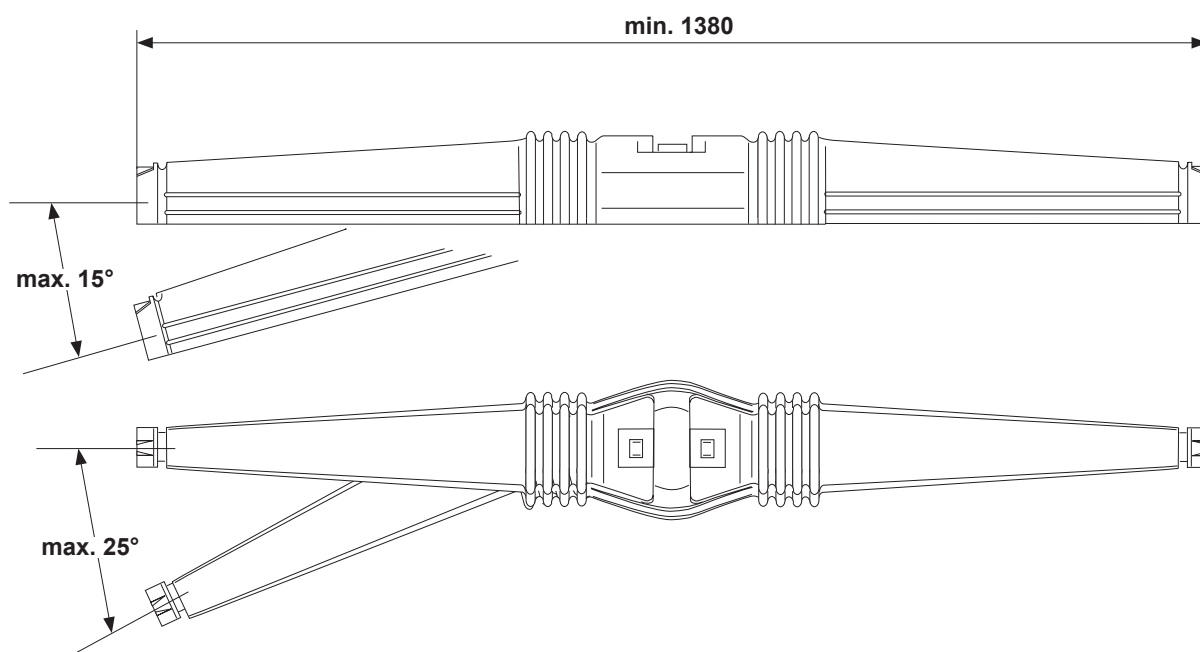
Dimension	Measurement (mm)
A	min. 60
B	max. 160



Dimensional Requirements of Fixing Clamps



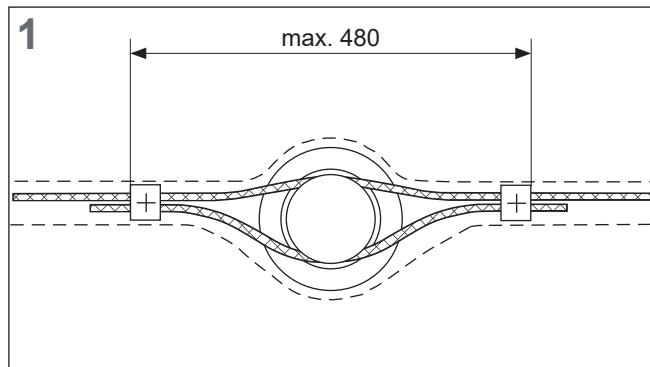
Horizontal and Vertical Cap Bending Angles



The length of the Bird Cap is approx. 1,4 m. Check conductor and fixing clamps. If necessary change the fixing clamp position in such a way that they are positioned within the middle part of the cap, see also drawings on previous page.

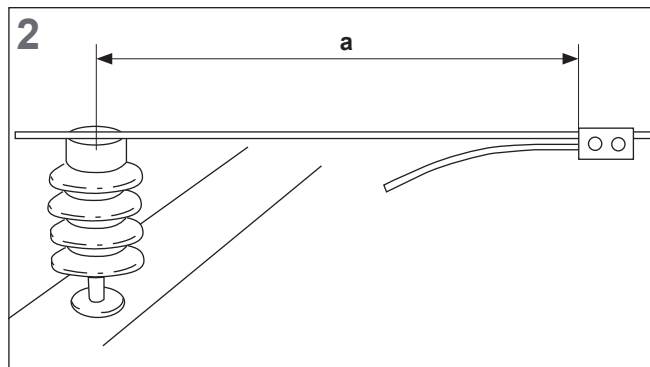
Conductor only fixed aside:

Install a piece of conductor to the other side of the insulator and fix it with 2 clamps to the main conductor. The distance between the fixing clamps must not exceed 480 mm.

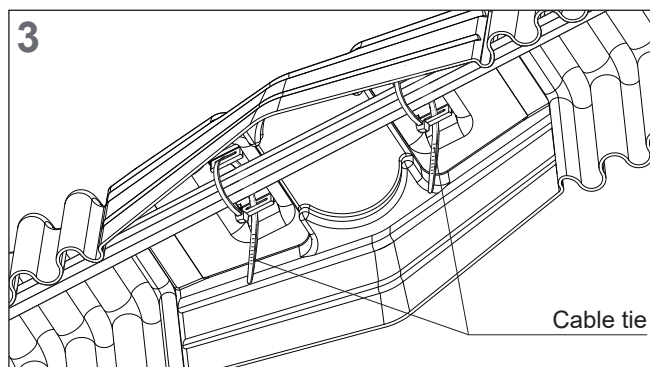


Double insulator configuration:

Change the position of the fixing clamp of the 2nd conductor in such a way that the distance $a = \text{min. } 800 \text{ mm}$ to allow for sufficient free space of the cap.

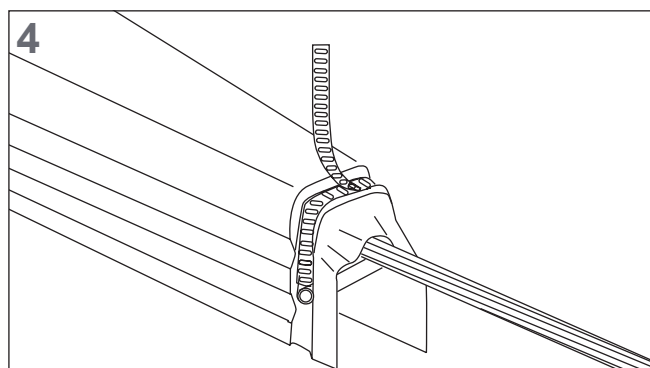


Insert the cable ties through the integrated clip. Pull the cable tie through both slots so the legs are equal lengths.



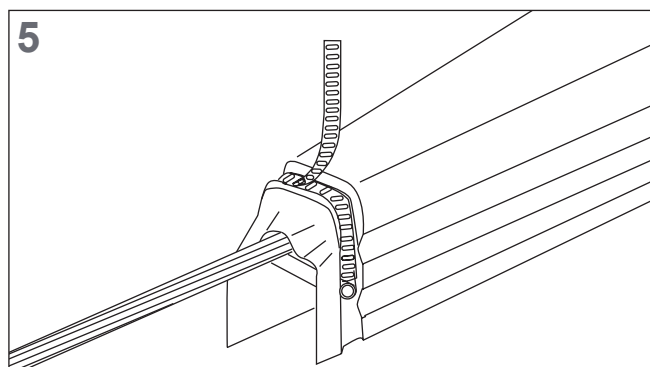
Position the cap with one end provisionally over the conductor. Insert the cable tie through the pre-cut holes ensuring it goes under the conductor.

Secure the cable tie within the channel but do not fully tighten.



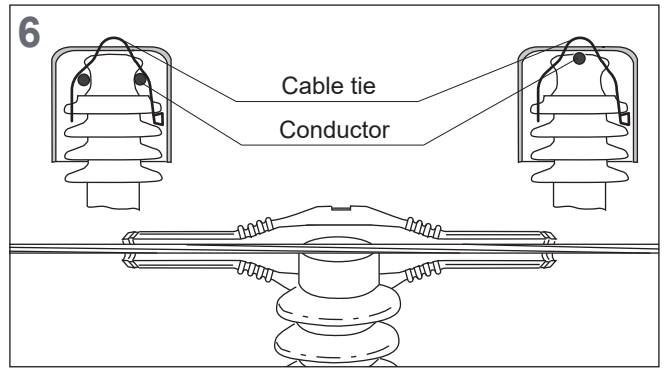
Move the cap along the conductor and fix the other end to the opposite side of the insulator as shown in drawing 4.

Secure the cable tie within the channel but do not fully tighten.



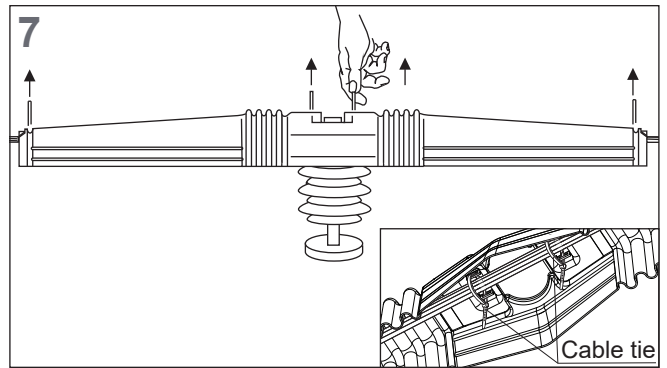
Locate the pre-installed cable tie ends so they over hang either side of the conductor.

With the cap in place secure the cable ties and tighten.



Tighten all the cable ties at the ends and cut off the excess length.

Only tighten the hose clamps until the cap is well secured and doesn't move.



Installation of bird cap completed.

