

TE CONNECTIVITY (TE) RESERVES THE RIGHT TO CHANGE THIS DRAWING AT ANYTIME. USERS SHOULD EVALUATE THE SUITABILITY OF THE PRODUCT FOR THEIR APPLICATION.

REVISION

LTR	DESCRIPTION	DATE	APPROVED
B	REVISED PER DCR# R050346	08/19/2005	M. PIOZET
C	REVISED PER ECO-15-008666	06/09/2015	I. MYONG

THIS SPECIFICATION COVERS INFORMATION COMMON TO ALL BNDXXA BAND STRAP ADAPTERS

BND 54 A B 00 - 12 06 A

PRODUCT DESIGNATOR: _____
 BND: ADAPTER AND BAND
 BNX: ADAPTER ONLY

CONNECTOR CODE: _____

- ② MATERIAL: _____
 A: ALUMINUM ALLOY PER QQ-A-225
 B: NICKEL ALUMINUM BRONZE PER ASTM B150
 S: STAINLESS STEEL PER QQ-S-763

FINISH: (SEE S-CH00-0157-002) _____

CONFIGURATION: _____
 00 = STRAIGHT, 45 = 45°, 90 = 90°
 4W = 45°, 9W = 90° [SEE SHEETS 2 AND 3 FOR DETAILS]

FOR BND18, DASH MAY BE REPLACED BY _____
 A MFR. CODE LETTER (SEE SCD)

ORDER NUMBER: (SEE BNDXXA SCD) _____

- ④ ENTRY SIZE: (SEE BNDXXA SCD) _____
- ① BAND TERMINATION DEVICE CODE: _____
 A: BND-1225S [STANDARD SUPPLY AMERICAS AND ASIA] CRES-LOCK BANDING STRAP
 AX: ADAPTER ONLY


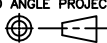
NOTES:

- ① SEE DRAWING BND-1225S FOR INFORMATION ON BANDS.
- ② ALTERNATIVE EQUIVALENT MATERIAL SPECIFICATIONS TO THOSE SHOWN MAY BE SUPPLIED AT TYCO ELECTRONICS/RAYCHEM'S DISCRETION.
- ③ REFER TO SHEET 2 FOR MODIFICATION OPTION FIELD.
- ④ FOR STANDARD ENTRY SIZES SEE RELEVANT SPECIFICATION CONTROL DRAWING. FOR ENTRY SIZES LARGER THAN STANDARD (TYPE II ADAPTERS).

If this document is printed it becomes uncontrolled. Check for the latest revision

©2015 TE CONNECTIVITY LTD. FAMILY OF COMPANIES. ALL RIGHTS RESERVED
 TE CONNECTIVITY AND TE CONNECTIVITY (LOGO) ARE TRADEMARKS.

Raychem Adapters
 PRODUCTION SPECIFICATION

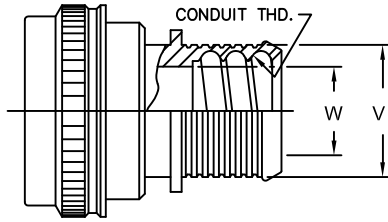
UNLESS OTHERWISE SPECIFIED DIMENSIONS ARE IN INCHES. REFERENCE METRIC DIMENSIONS ARE IN BRACKETS [metric].	DRAWN: M. FORONDA	DATE: 02/07/2005		TE Connectivity			
	REDRAWN: T. NGUYEN	DATE: 06/09/2015					
DECIMALS TOLERANCES: XXX ± .005 [0.13mm] XX ± .01 [0.25mm] X ± .1 [0.50mm] ANGLES TOLERANCE: ± 1°	APPROVED: I. MYONG	DATE: 06/11/2015	TITLE: GENERAL INFORMATION PACKAGE FOR BNDXXA (BAND STRAP) ADAPTERS				
	MATERIAL: SEE NOTES	FINISH: SEE NOTES					
SCALE: DO NOT SCALE THIS DRAWING	CAD FILE: CH00-0250-017.dwg	THIRD ANGLE PROJECTION: 	SIZE: A	SHEET: 1 OF 3	CAGE CODE: 06090	DRAWING NO: CH00-0250-017	REV. C

③ BANDSTRAP ADAPTER MODIFICATION OPTION FIELD
 (OMIT IF NOT REQUIRED)

BND54AB00-1206AHPSN

H: HELICAL CONDUIT THREAD (SEE FIG. I) _____
 P: PRE-COILED BANDSTRAP OPTION (SEE DRAWING BND-1225P) _____
 S: SELF-LOCKING SPIN NUT _____
 OPTIONAL O-RING MATERIAL: _____

OMIT FOR STANDARD SILICONE (ZZ-R-765, GRADE 70: S59)
 C: NEOPRENE PER AMS3209
 U: FLUROSILICONE PER MIL-R-25988, CLASS 1
 N: NITRILE (BUNA N) PER AMS3215
 V: FLUOROCARBON PER MIL-R-83248, CLASS 1



MODIFICATION H

(HELICAL CONDUIT THREAD)

ENTRY ORDER NO.	HELICAL CONDUIT		
	CONDUIT THREAD SIZE	W REF. DIA.	V ±.015 DIA.
0 2	N/A	N/A	N/A
0 3	N/A	N/A	N/A
0 4	N/A	N/A	N/A
0 5	0188	.188	.413
0 6	0281	.281	.507
0 7	0312	.312	.531
0 8	0375	.375	.603
0 9	0438	.438	.664
1 0	0500	.500	.743
1 2	0625	.625	.863
1 4	N/A	N/A	N/A
1 6	0750	.750	1.023
1 8	0875	.875	1.166
2 0	1000	1.000	1.319
2 2	N/A	N/A	N/A
2 4	1250	1.250	1.632

FIGURE I: CONDUIT MODIFICATION ("H")

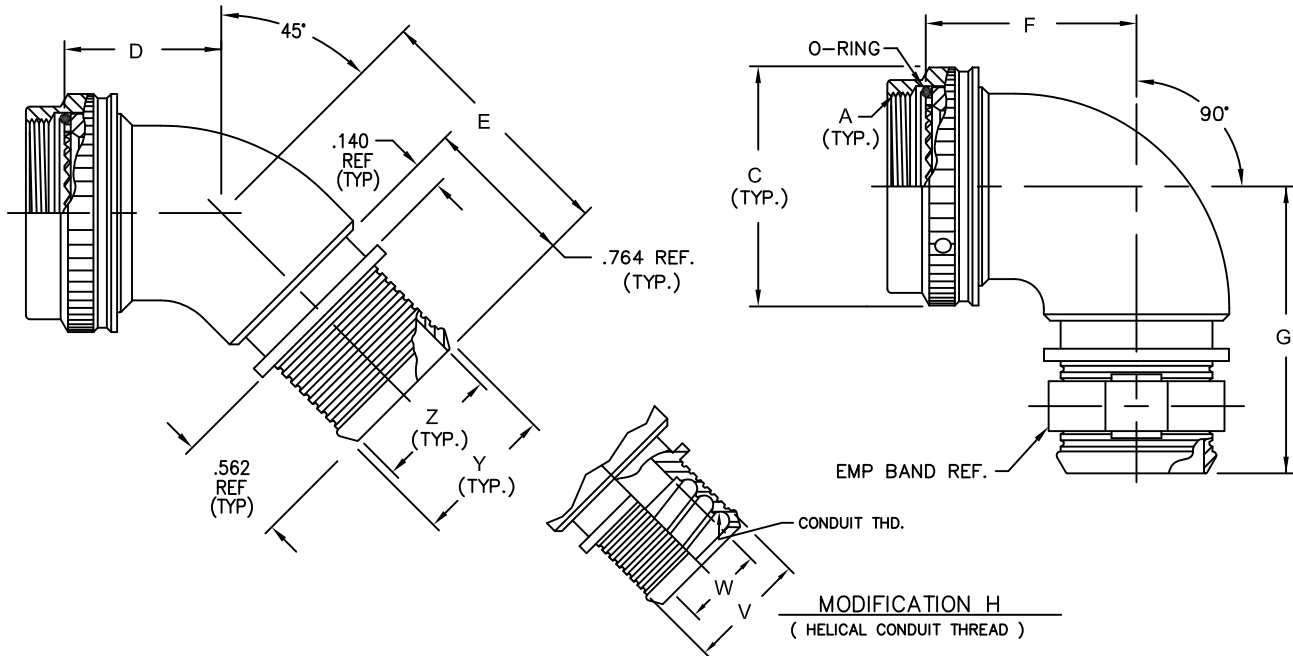


FIGURE II: 4W (45°) AND 9W (90°) ANGULAR OPTION

NOTES:

1. FOR DIAMETER C, Y, Z, AND "A" THREAD, REFER TO BASIC ADAPTER SCD.
2. FOR DIMENSIONS D, E, F, G. REFER TO TABLE ON PAGE 3.

If this document is printed it becomes uncontrolled. Check for the latest revision

Raychem Adapters
 PRODUCTION SPECIFICATION

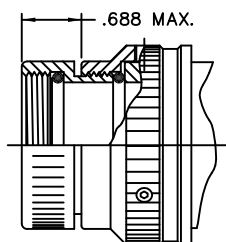
	DO NOT SCALE THIS DRAWING	SIZE	CAGE	SHEET	DWG. NO.	REV
		A	06090	2 OF 3	CH00-0250-017	C

CONNECTOR CODE 18						
ORDER NO.	SHELL SIZE	MFR. CODE $\triangle 3$	D MAX.	E MAX.	F MAX.	G MAX. $\triangle 1$
08B	8S	B	.957	1.253	1.250	1.546
08C	8S	C	.957	1.253	1.250	1.546
08A	8S	A	.957	1.253	1.250	1.546
08D	8S	D	.957	1.253	1.250	1.546
10-	10S	-	1.009	1.305	1.375	1.671
11C	10SL	C	1.009	1.305	1.375	1.671
11A	10SL	A	1.061	1.357	1.500	1.796
11B	10SL	B	1.061	1.357	1.500	1.796
11D	10SL	D	1.061	1.357	1.500	1.796
12B	12,12S	B	1.061	1.357	1.500	1.796
12C	12,12S	C	1.061	1.357	1.500	1.796
12A	12,12S	A	1.061	1.357	1.500	1.796
12D	12,12S	D	1.061	1.357	1.500	1.796
14-	14,14S	-	1.112	1.408	1.625	1.921
16-	16,16S	-	1.164	1.460	1.750	2.046
18-	18	-	1.216	1.512	1.875	2.171
20-	20	-	1.268	1.564	2.000	2.296
20R	20	R	1.268	1.564	2.000	2.296
20D	20	D	1.268	1.564	2.000	2.296
22-	22	-	1.319	1.615	2.125	2.421
24-	24	-	1.371	1.667	2.250	2.546
28-	28	-	1.475	1.719	2.500	2.796
32B	32	B	1.578	1.771	2.750	3.046
32C	32	C	1.578	1.771	2.750	3.046
32A	32	A	1.578	1.771	2.750	3.046
32R	32	R	1.578	1.771	2.750	3.046
32D	32	D	1.578	1.771	2.750	3.046
36B	36	B	1.682	1.978	3.000	3.296
36R	36	R	1.682	1.978	3.000	3.296
36C	36	C	1.682	1.978	3.000	3.296
36A	36	A	1.682	1.978	3.000	3.296
36D	36	D	1.682	1.978	3.000	3.296
40B	40	B	1.785	2.081	3.250	3.546
40A	40	A	1.785	2.081	3.250	3.546
40C	40	C	1.785	2.081	3.250	3.546
40D	40	D	1.785	2.081	3.250	3.546
44A	44	A	1.836	2.132	3.500	3.796
44C	44	C	1.836	2.132	3.500	3.796
44D	44	D	1.836	2.132	3.500	3.796
48C	48	C	1.992	2.288	3.750	4.046
48A	48	A	1.992	2.288	3.750	4.046
48D	48	D	1.992	2.288	3.750	4.046

CONNECTOR CODE 40, 41				
ORDER NO.	D MAX.	E MAX.	F MAX.	G MAX.
0 8	.832	1.220	1.125	1.513
1 0	.884	1.272	1.250	1.658
1 2	.936	1.324	1.375	1.763
1 4	.987	1.375	1.500	1.888
1 6	1.039	1.427	1.625	2.013
1 8	1.091	1.479	1.750	2.138
2 0	1.143	1.768	1.875	2.500
2 2	1.194	1.819	2.000	2.625
2 4	1.246	1.871	2.125	2.750

CONNECTOR CODE 61				
ORDER NO.	D MAX.	E MAX.	F MAX.	G MAX.
0 8	1.196	1.272	1.562	1.658
1 0	1.248	1.324	1.687	1.763
1 4	1.351	1.427	1.937	2.013
1 6	1.403	1.716	2.062	2.375
1 8	1.455	1.768	2.187	2.500
2 0	1.506	1.819	2.312	2.625
2 2	1.558	1.871	2.437	2.750
2 4	1.610	1.923	2.562	2.875

CONNECTOR CODE 54				
ORDER NO.	D MAX.	E MAX.	F MAX.	G MAX.
0 3	.832	1.220	1.125	1.513
0 8	.832	1.220	1.125	1.513
1 0	.884	1.272	1.250	1.658
1 2	.936	1.324	1.375	1.763
1 4	.987	1.375	1.500	1.888
1 6	1.039	1.427	1.625	2.013
1 8	1.091	1.479	1.750	2.138
2 0	1.143	1.768	1.875	2.500
2 2	1.194	1.819	2.000	2.625
2 4	1.246	1.871	2.125	2.750
2 8	1.350	1.975	2.375	3.000
3 2	1.453	2.078	2.625	3.250
3 6	1.557	2.182	2.875	3.500
4 0	1.660	2.285	3.125	3.750



MFR. CODE $\triangle 2$ $\triangle 3$
(CODE 18 ONLY)

NOTES:

- $\triangle 1$ FOR MODIFICATION H AND ENTRY 24, ADD .188" TO LENGTH SHOWN.
 $\triangle 2$ ACCOMODATES ALL CONN. THD. SIZES.
 $\triangle 3$ A = AMPHENOL - CLASS A
 B = BENDIX - CLASS A, E, & R
 C = CANNON - CLASS A, E, & R
 D = MFR. UNKNOWN - CLASS A, E, & R
 R = AMPHENOL - CLASS R
 - = MFR. CODE NOT REQUIRED

If this document is printed it becomes uncontrolled. Check for the latest revision

Raychem Adapters
PRODUCTION SPECIFICATION

	DO NOT SCALE THIS DRAWING	SIZE	CAGE	SHEET	DWG. NO.	REV
		A	06090	3 OF 3	CH00-0250-017	C