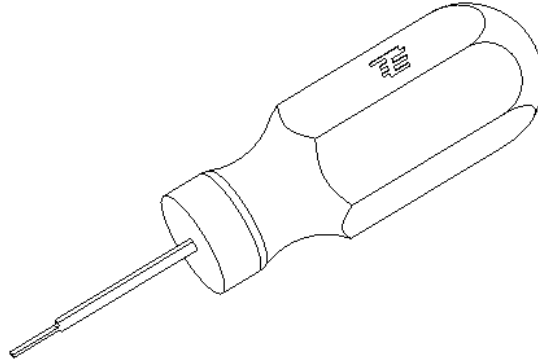


**The Extraction Tool for 020K and 025 TAB / Recep. Contacts**

Extraction Tool for Tab/Recep

**1. INTRODUCTION**

This instruction sheet explains the handling of the extraction tool used in case .025 Tab/Recep contacts are extracted from housing.

**READ THIS MANUAL CAREFULLY BEFORE OPERATION!**

**2. APPLICABLE PRODUCTS**

020K Recep PN: 2219299-x

025 Tab PN: 2005098-x, 2005154-x, 2188445-x, 2350583-x

025 Recep PN: 2005097-x, 2005427-x, 2188446-x, x-2366531-x

\* "x" means a number of one figure.

**3. EXTRACTION PROCEDURE**

Extract the contacts according to the following procedure.

[Procedure]

- (1) Insert the tip of the tool from mating side of the connector until it touches and moves the housing lance on secondary lock (retainer) is primary position.
- (2) Hold an electric wire in this condition and extract the contacts

**NOTE**

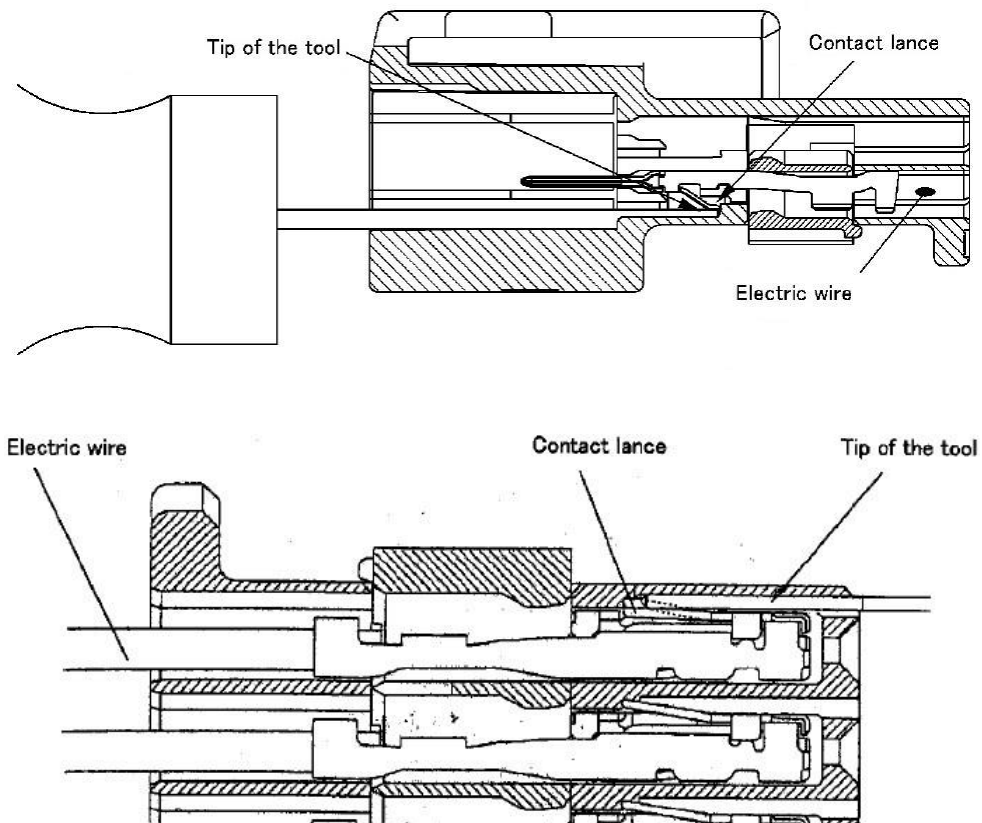
When reusing the extracted contact, make sure that there are no damages on the contact. If there are any damages, DO NOT reuse the contact.

Contact lance could be released by just inserting the extraction tool. DO NOT apply excess force when you push in the tool housing. Contact lance and/or tool may be damaged.

DO NOT insert the extraction tool into contact. The contact may be damaged and must be replaced with new one.

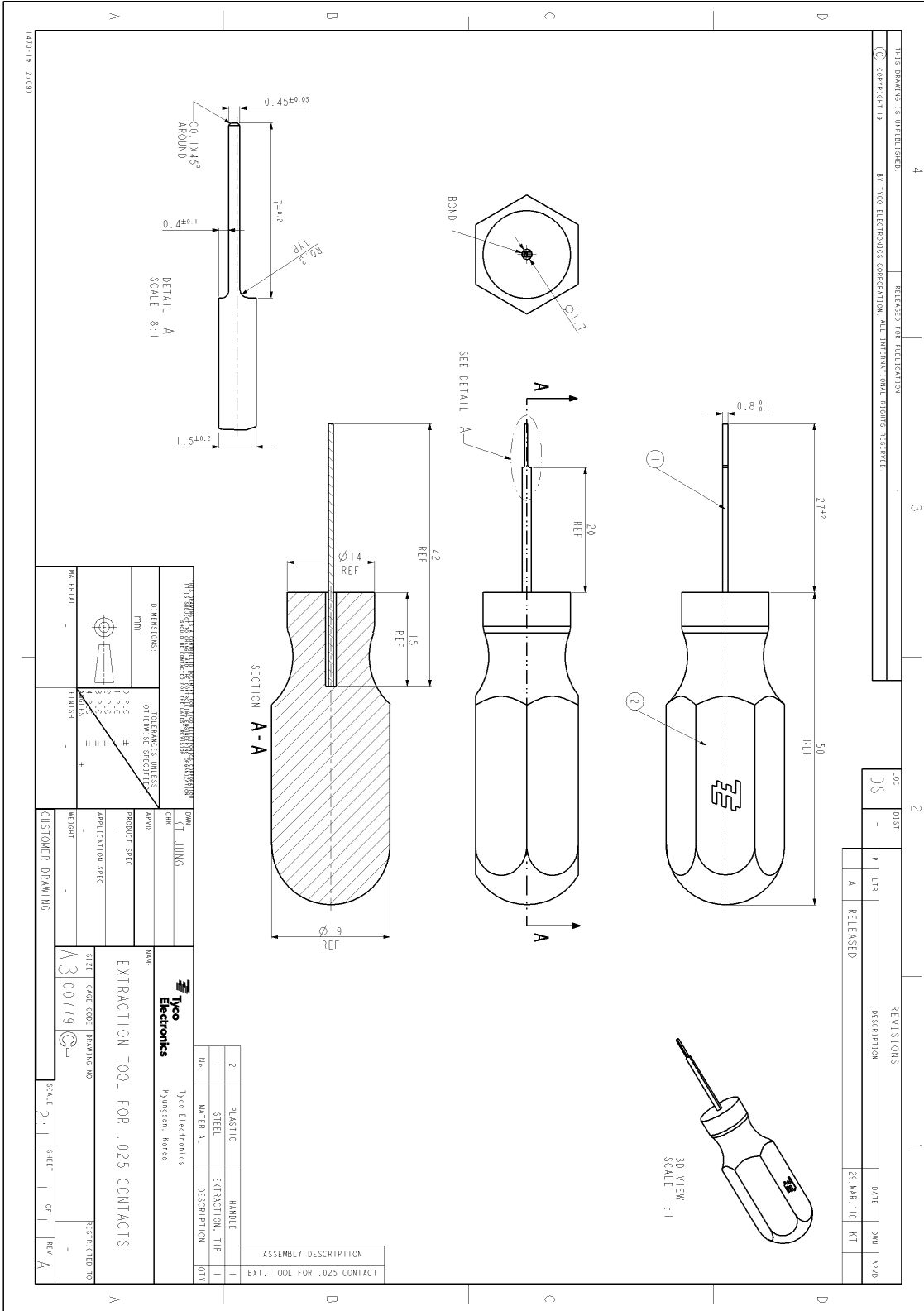
DO NOT use the tool to releasing the retainer of housing. Tool may be damaged.

DO NOT use the tool if its tip is bent more than 10 degrees.



The extraction tool is not supplied by TE.

Please refer to the attached drawing.



141018 12/093

DIMENSIONS:		TOLERANCE UNITS:	
MM		0.15	±
		0.25	±
		0.50	±
		1.00	±
		1.50	±
		2.00	±
		3.00	±
		4.00	±
		5.00	±
		6.00	±
		7.00	±
		8.00	±
		9.00	±
		10.00	±
		12.00	±
		15.00	±
		20.00	±
		25.00	±
		30.00	±
		40.00	±
		50.00	±

FINISH:		OTHER FINISH SPECIFICATIONS:	
0.15	±		
0.25	±		
0.50	±		
1.00	±		
1.50	±		
2.00	±		
3.00	±		
4.00	±		
5.00	±		
6.00	±		
7.00	±		
8.00	±		
9.00	±		
10.00	±		
12.00	±		
15.00	±		
20.00	±		
25.00	±		
30.00	±		
40.00	±		
50.00	±		

DIM: KIT JUNG		NAME: Tyco Electronics	
PRODUCT SPEC		Tyco Electronics	
APPLICATION SPEC		Hyungson- Korea	
MATERIAL		EXTRACTION TOOL FOR .025 CONTACTS	
SCALE: 2:1		SHEET: 1 of 1	
REV: A		REGISTERED TO:	

No.	PLASTIC	HANDLE
2	STEEL	EXTRACTION TIP
		DESCRIPTION
		EXT. TOOL FOR .025 CONTACT

REV. DATE		DESCRIPTION	
1	03/17	DS	RELEASED
2			
3			
4			