



1. SCOPE

This instruction sheet is to provide useful information for correct assembly of the harness and correct assembly / disassembly of the connector.

2. Part number and Description

Part Number	Description	Pin
85202	JPT Plug Assy Standard	2
368354	JPT Plug Assy Standard with Clip	2
368412	JPT Plug Assy	2
936567	JPT Plug Assy	2
85205	JPT Plug Assy Standard	3
368215	JPT Plug Assy Knock Sensor	3
368356	JPT Plug Assy Standard with Clip	3
85196	JPT Plug Assy Reverse	3
936136	JPT Plug Assy Injector with Clip	3
368000	JPT Plug Assy Multi/CPS	3
936304	JPT Plug Assy Standard with Short	3
368491	JPT Plug Assy	3
368492	JPT Plug Assy	3
85168	JPT Plug Assy Standard	4
368126	JPT Plug Assy Reverse	4

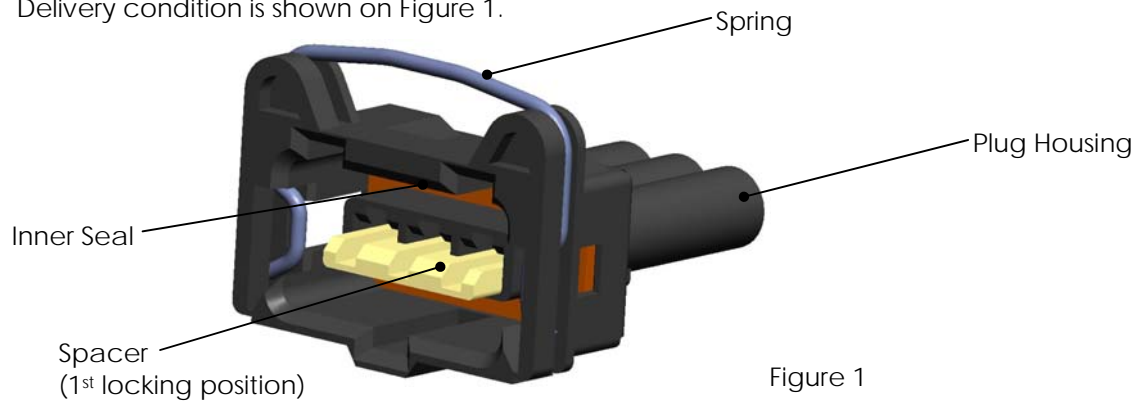
Note Part number is consisted from listed base number and 1 digit numeric prefix and suffix with dash. When prefix zero, zero and dash are omitted.

3. Reference Document

- 3.1 Refer to customer drawing for specific part numbers for each base number.
- 3.2 Application spec.: 114-18050

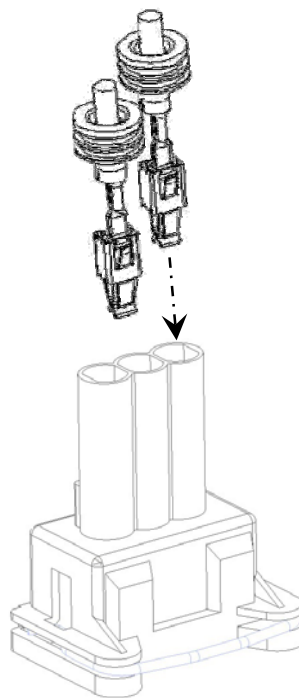
4. Delivery Condition

Delivery condition is shown on Figure 1.



5. Contacts Loading

Insert the contacts into the housings cavities according to Figure 2 until the lance on the metal contacts body is released.



6. Spacer locking

After the insertion of the contacts into their cavities, lock the spacer, by pushing in the direction show by the arrows on Figure 3 below, into the relevant seats in the male and female housings until the end position.

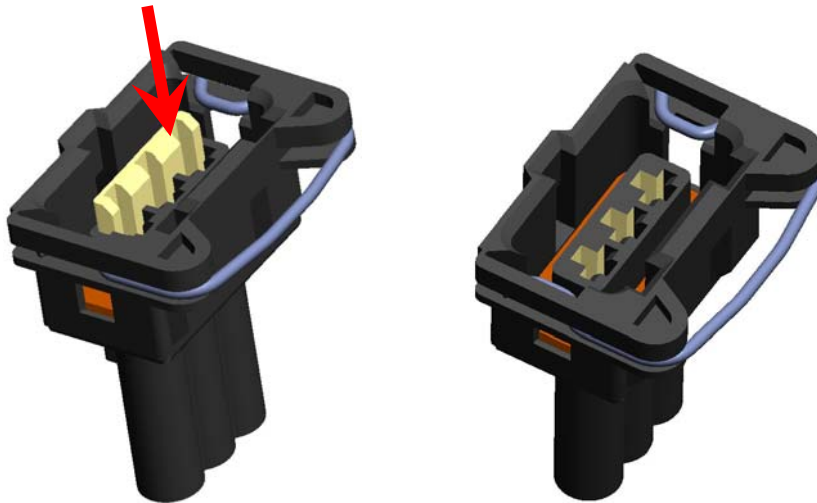


Figure 3

7. Mating Female and Male Connectors

To mate a female connector onto a male connector or male socket, proceed as shown Figure 5. Push together until they click into place. Never press the spring to obtain the mating, this prevents the proper locking of the connectors and can also prevent the assembly from being sealed.

Check proper locking by pulling on the connectors without pressing on the locking spring.

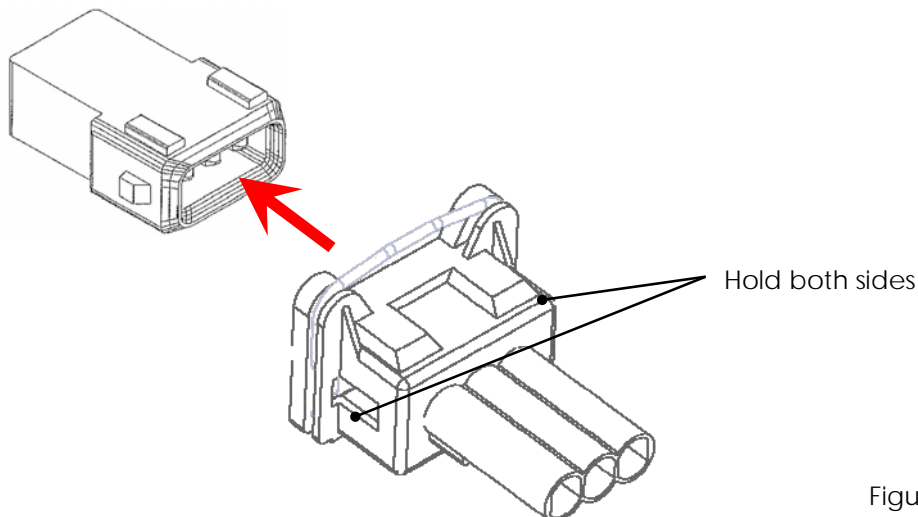
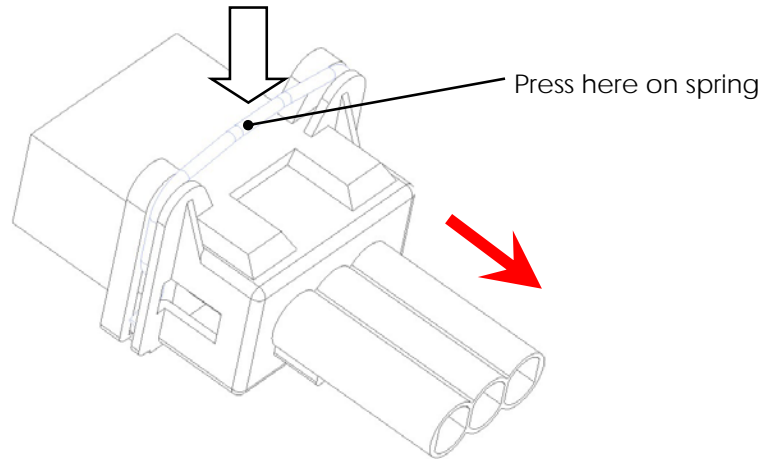


Figure 5

8. Unmating Female Connectors

To unmate female connector, press on the locking spring while pulling on the connector.





Product Specification

411-61006

9. Revision History

REV.	REVISION RECORD	DATE
A1	RELEASED	15.Nov.'11

10. Specification Approval

Prepared by,

K.T. JUNG

Product Engineer

Checked By,

K.T. LIM

Senior Product Engineer

Approved by,

H.G. CHO

Product Engineering Manager