

Installation/uninstallation instruction for Dynamic D1000 Tab Housing Panel Type

1. INTRODUCTION

This Instruction Sheet explains the method to installation/uninstallation the connector onto the panel for Dynamic D1000 Tab housing Panel type.

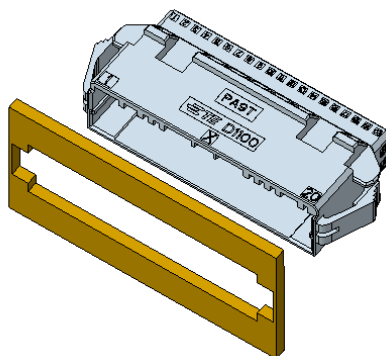


Fig 1 Panel mounting

Note: The fig for example with D1100 40Pos (Part Number: 1-2350416-0)

2. APPLICABLE PRODUCTS

Series Number	Part Number	Description
D1100	1-1903128-1	Dynamic D1100 22Pos. X key, tab housing Panel type
D1100	1-1903128-3	Dynamic D1100 26Pos. X key, tab housing Panel type
D1100	1-1903128-4	Dynamic D1100 28Pos. X key, tab housing Panel type
D1100	1-1903128-6	Dynamic D1100 32Pos. X key, tab housing Panel type
D1100	1-1903128-7	Dynamic D1100 34Pos. X key, tab housing Panel type
D1100	1-1903128-0	Dynamic D1100 40Pos. X key, Tab housing Panel type
D1100	1-2350416-0	Dynamic D1100 40Pos. X key, tab housing Panel type, high contact retention force
D1200	1-1903131-2	Dynamic D1200 4Pos. X key, tab housing Panel type
D1200	1-1903131-3	Dynamic D1200 6Pos. X key, tab housing Panel type
D1200	2-1903131-3	Dynamic D1200 6Pos. Y key, tab housing Panel type
D1200	2-1939796-3	Dynamic D1200 6Pos. X key, nature, tab housing Panel type
D1200	1-1903131-4	Dynamic D1200 8Pos. X key, tab housing Panel type
D1200	2-1939131-4	Dynamic D1200 8Pos. Y key, tab housing Panel type
D1200	1-1939131-6	Dynamic D1200 12Pos. X key, tab housing Panel type
D1200	1-1939131-0	Dynamic D1200 20Pos. X key, tab housing Panel type
D1200	2-1903131-0	Dynamic D1200 20Pos. Y key, tab housing Panel type

Table 2 Reference Document

3. INSTALLATION PROCEDURE

Install the housing onto the panel in the follow procedure.

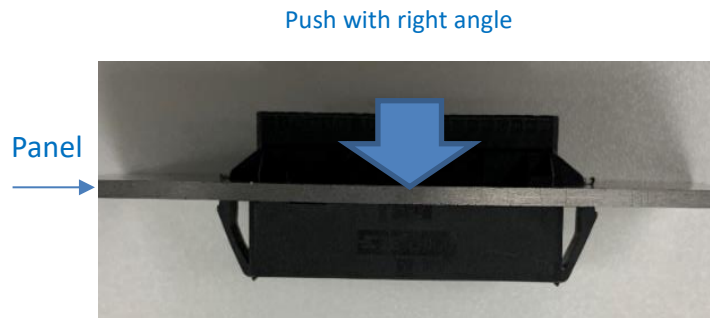


Fig 2 Mounting condition see from the top

When installing the product onto designated panel, hold the housing body, then push into the panel with right angle (Fig 2).

Caution:

- ❖ Do not pinch the lock level, when installation the housing onto the panel (Fig 3).
- ❖ Push the unfixed side to install the product (Red arrow), in case the product has been insert into the panel with tilted (Fig 4).

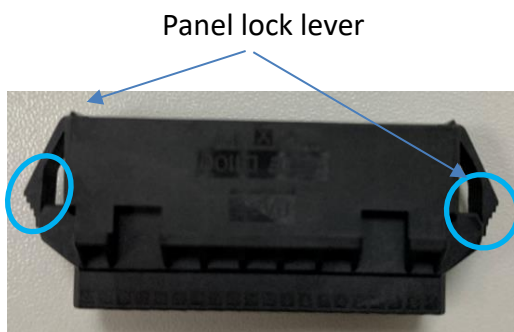


Fig 3 Housing For Panel Mount Type



Fig 4 Mounting condition with tilt

4. UNINSTALLATION PROCEDURE

When uninstalling the product from the panel

4.1 Press the lock level, until the level pulled out of the panel, fig 5.

4.2 When the connector tilt on the panel, please press the lock level, until connector pulled out, fig 6.



Fig 5 uninstalling connector from panel



Fig 6 uninstalling tilt connector from panel

Caution:

- ❖ Please do not press on the beam (Red arrow) of the level during the uninstalling process, as fig 6 shown.
- ❖ During the uninstallation process, do not apply unnecessary force when the lock level touch the bottom surface, as fig 7 shown.

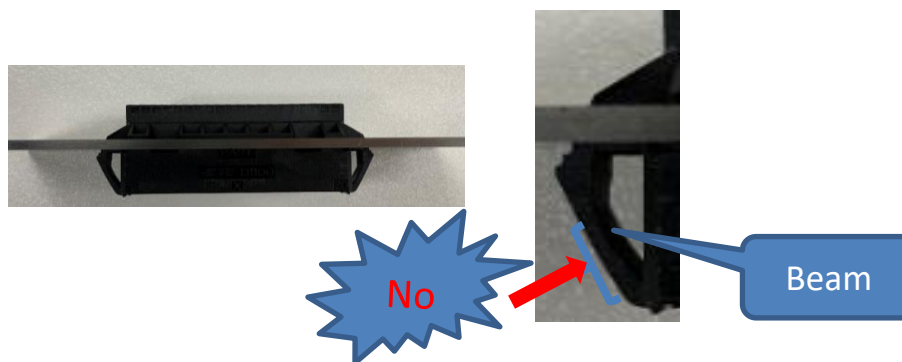


Fig 6 Housing For Panel Mount Condition

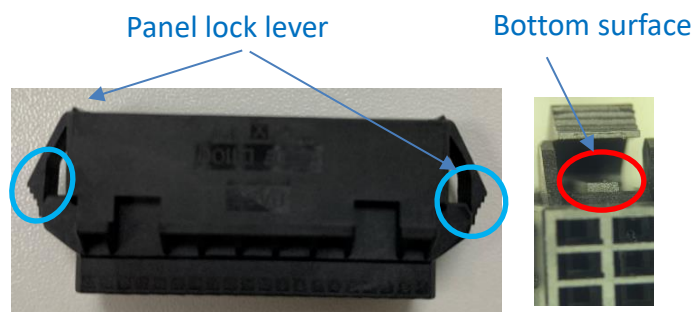


Fig 7 Housing For Panel Mount Type