



P.C.B EDGE CONNECTOR  
EXTRACTION TOOL

IS. 1087 G.B.G.B.	
Released	29.11.82
Revised	26.4.84

INTRODUCTION

This Instruction Sheet covers the use of Extraction Tool 465665-1 which extracts P.C.B. edge connectors Flag and straight types from appropriate housings. For ease of application this tool should be used with Handle P/No.465629-1 (See Note).

2. DESCRIPTION

The tool tip is used to depress the locking lance of the contact and so enable extraction from the housing.

3. CONTACT EXTRACTION

Refer to Fig. 1 and proceed as follows:

- (a) Delatch anti-backout feature of housing where used.
  - (b) Select the contact to be removed, look straight into the front (mating face) of connector.
  - (c) Insert tip of extraction tool into front of appropriate contact cavity at the same time pushing the contact within the cavity in direction of arrow 'A'.
  - (d) Maintaining the forward pressure in the direction of arrow 'A' push home the extraction tool to delatch lance.
- NOTE: Do not twist tool in connector as damage to contact or tool may result.
- (e) Maintain slight pressure on tool and ease contact out from back (wire side).
  - (f) Check lances if contact is to be re-used and re-set if required.

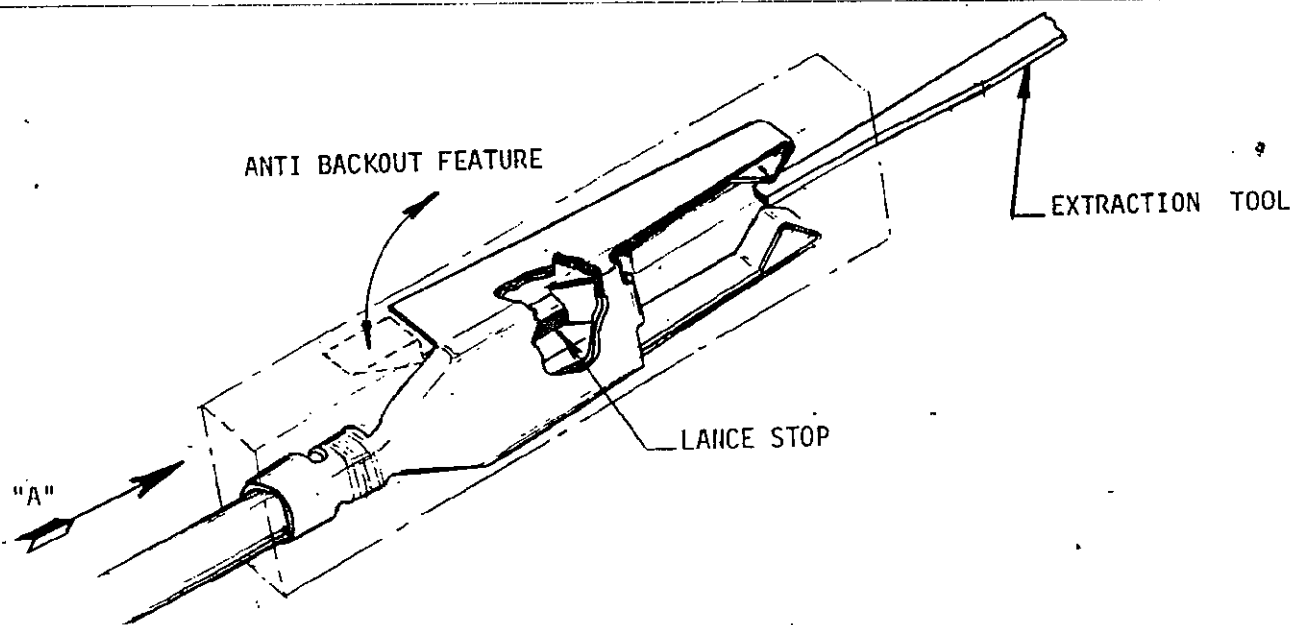


FIG. 1