

POSITIVE MATE EXTRACTION
TOOL PART NUMBER 465665-1

IS. 1085	GB.
Released	6.5.82
Revised	

1. INTRODUCTION

This Instruction Sheet covers the use of Extraction Tool 465665-1 which extracts Positive Mate Tabs and Receptacles from Positive Mate Housing. For ease of application this tool should be used with Universal Handle P/N 465629-1.

2. DESCRIPTION

The tool tip is used to depress the locking lance of the contact and so enable extraction from the housing.

3. CONTACT EXTRACTION

Refer to Fig 1 and proceed as follows:-

- a) Select the contact to be removed. Look straight into the FRONT (mating face) of connector.
- b) Insert tip of extraction tool into lance slot of appropriate contact housing.
- c) Push tip into lance slot until bottomed.
NOTE: DO NOT TWIST TOOL IN CONNECTOR AS DAMAGE TO CONTACT OR TOOL MAY RESULT.
- d) Maintain slight pressure on tool and ease contact out from BACK (wire side) of connector.

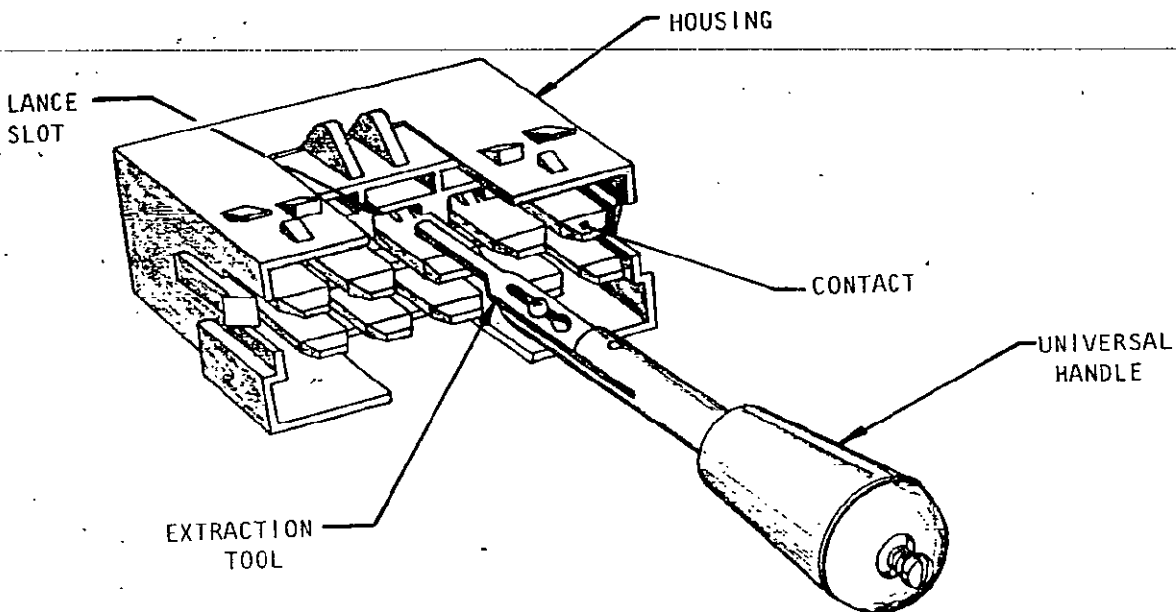


FIG 1

10F1