

**PROPER USE GUIDELINES**

Cumulative Trauma Disorders can result from the prolonged use of manually powered hand tools. Hand tools are intended for occasional use and low volume applications. A wide selection of powered application equipment for extended-use, production operations is available.

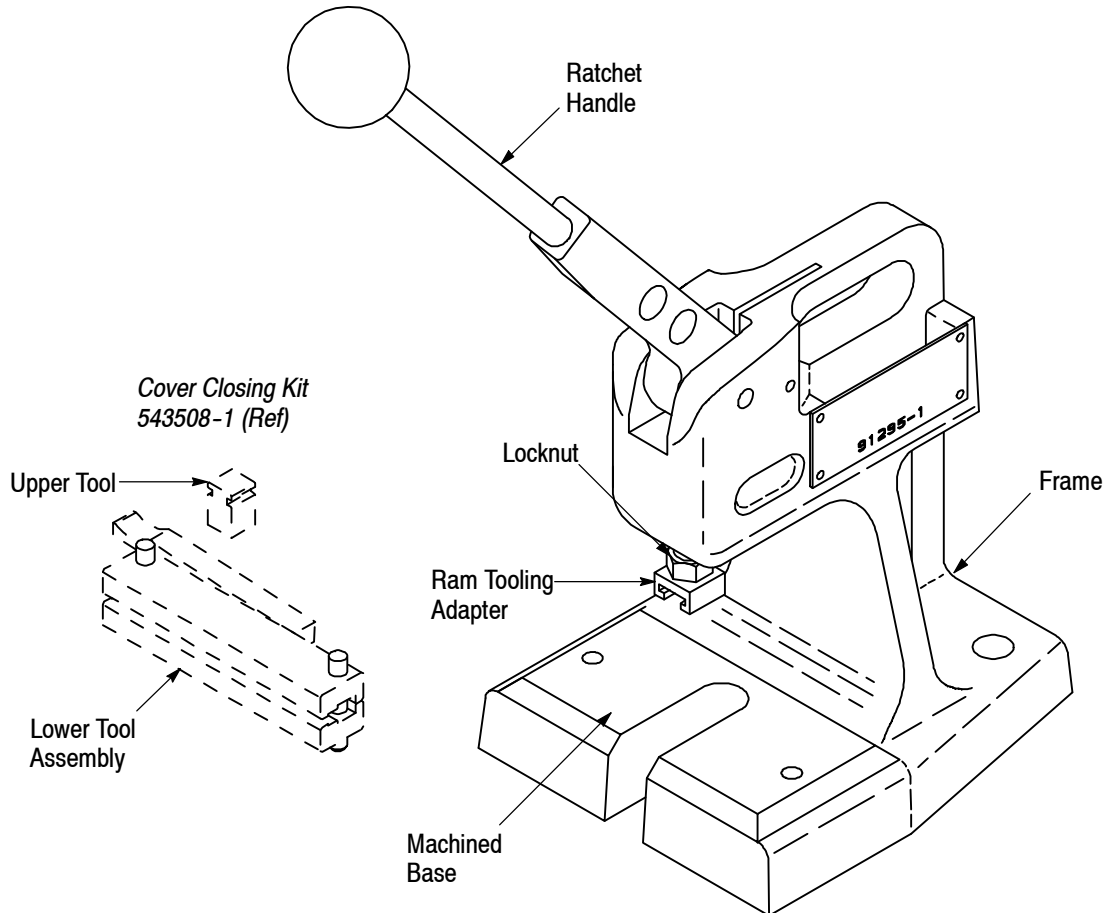


Figure 1

**1. INTRODUCTION**

This instruction sheet provides description, tooling assembly installation, and ram height adjustment for Manual Miniature Applicator Frame Assembly 91295-1.

**NOTE** *Dimensions on this sheet are in millimeters [with inch equivalents in brackets]. Figures and illustrations are for reference only and are not drawn to scale.*

Reasons for reissue of this instruction sheet are provided in Section 7, REVISION SUMMARY.

**2. DESCRIPTION**

The manual miniature applicator frame assembly features a bench-mountable frame, an adjustable

ram, and a ratchet handle. The ram holds the upper tooling and the machined base holds the lower tooling (example shown in Figure 1). The adjustable ram is used to regulate the ram height. The ratchet assures full seating of the product. Once engaged, the ratchet cannot be released until the steady downward movement of the handle is complete; then the ratchet releases and the handle is able to return to its original position. In case of a misaligned product, the ratchet release lever located behind the ram housing inside the frame handle opening can be used. See Figure 2. The frame assembly should be secured to a workbench to ensure stability during operation.

**3. INSTALLING TOOLING ASSEMBLY**

Each tooling assembly includes an upper tool and a lower tool assembly. Install the tooling assembly according to the following.

1. Attach the upper tool to the ram by inserting the upper tool into the ram tooling adapter. If necessary, refer to the instruction sheet packaged with the upper tool for any specific orientation with respect to the frame assembly.

2. Attach the lower tool subassembly to the machined base by inserting the locating pins located on the bottom surface of the lower tooling subassembly into the holes on the machined base. If necessary, refer to the instruction sheet packaged with the lower tool subassembly for specific attachment, orientation, and alignment.

**4. RAM HEIGHT ADJUSTMENT**

After installing the tooling assembly, ram height adjustment may be required. Refer to the instruction sheet packaged with the tooling assembly for specific ram height dimensions. When adjustment is required:

1. Loosen the locknut located above the ram tooling adapter.
2. Turn the tooling mount to adjust to the proper recommended shut height (refer to Figure 2), then tighten the locknut to secure the adjustment.

**5. INSPECTION**

It is recommended that the frame assembly be inspected immediately upon its arrival in your facility (and at regularly scheduled intervals) to ensure that the frame assembly has not been damaged during handling.

**6. REPLACEMENT AND REPAIR**

Order replacement tools through your representative, or call 1-800-526-5142, or send a facsimile of your purchase order to 717-986-7605, or write to:

CUSTOMER SERVICE (038-035)  
 TYCO ELECTRONICS CORPORATION  
 PO BOX 3608  
 HARRISBURG PA 17105-3608

For customer repair service, call 1-800-526-5136.

**7. REVISION SUMMARY**

Revisions to this instruction sheet include:

- Changed company logo

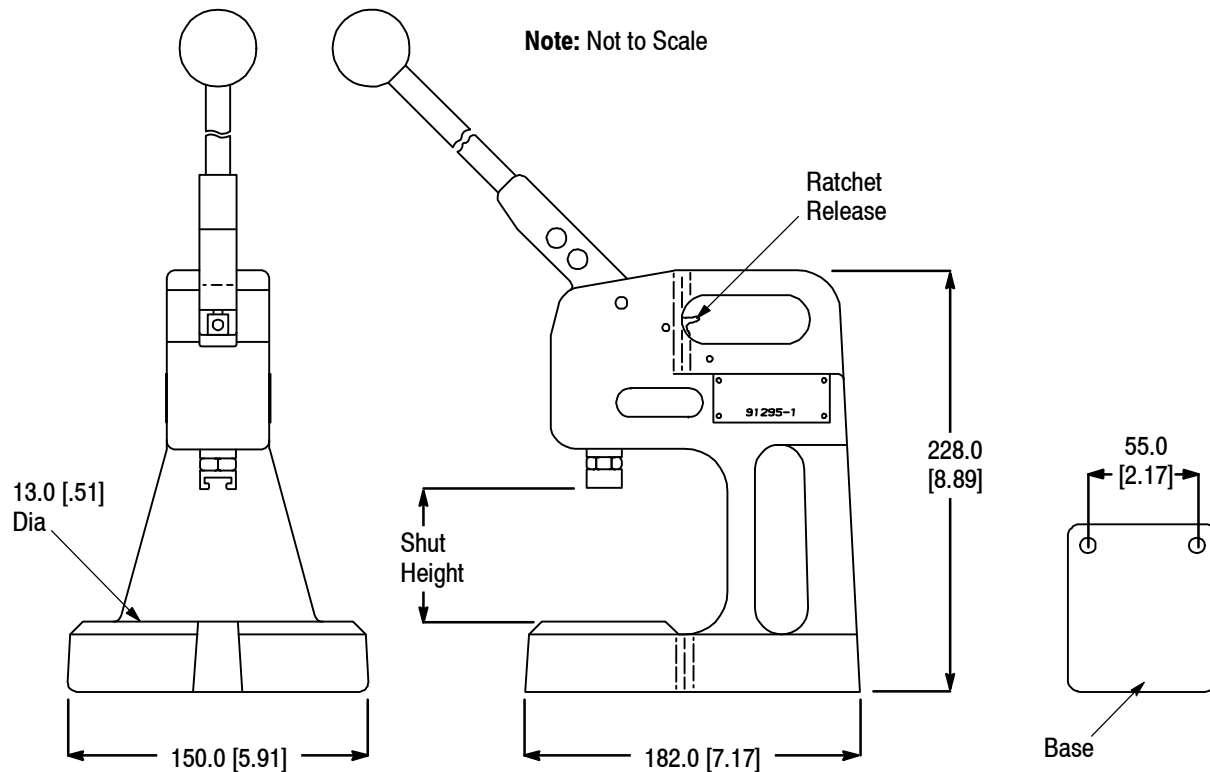


Figure 2