

AMP

AMP INCORPORATED

AMP*

IS 9803

HOTLINE U.S. 1 800 722-1111
 HOTLINE CAN. 1 416 470-4425
 FAX U.S. 1 800 522-6752
 FAX CAN. 1 800 245-4356

**STRUCTURE GROUNDING CLAMPS
 81416 and 81417 SERIES**

RELEASED
 6-9-92

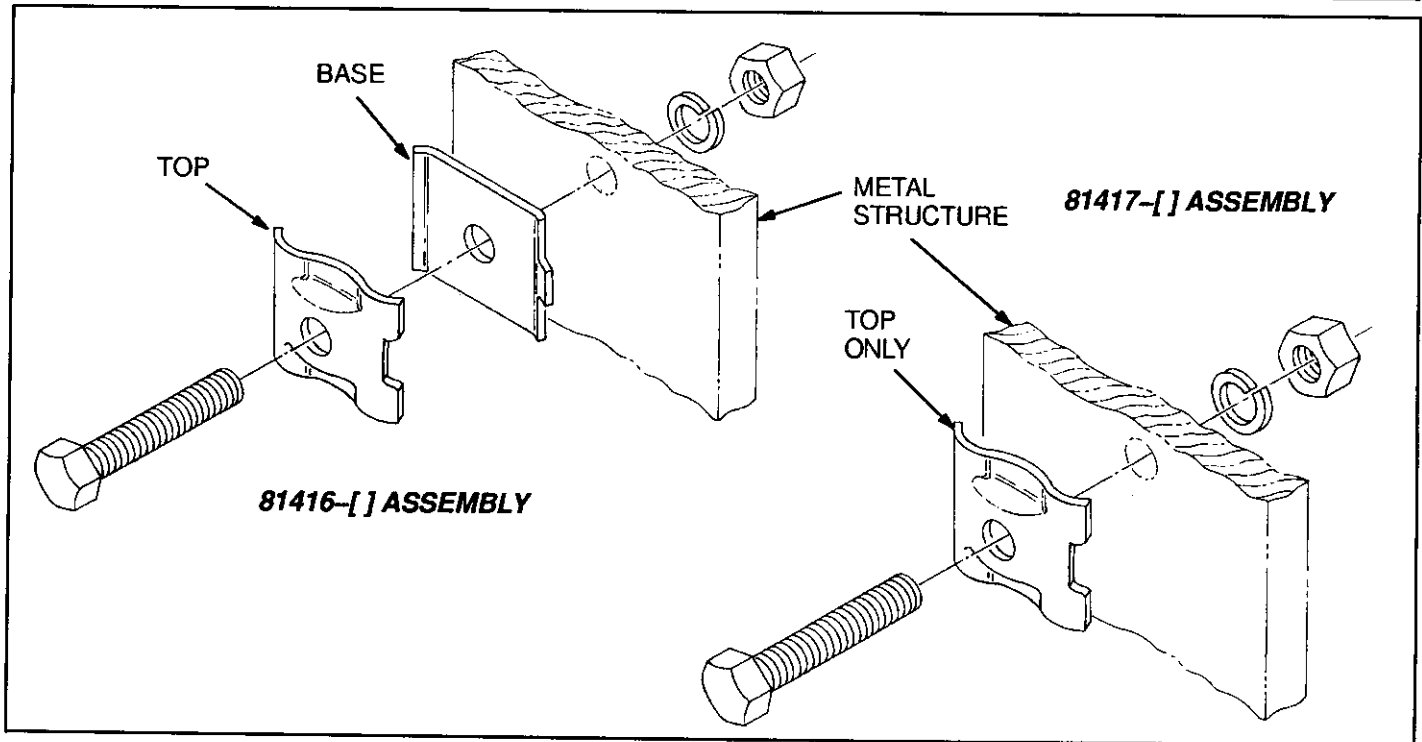


Fig. 1

92-141, 92-142

1. INTRODUCTION

This Instruction Sheet (IS) provides instruction on product application for AMP Structure Grounding Clamps 81416 Series (top, base and hardware), and 81417 Series (top only and hardware). These clamps are designed to accommodate No.4 solid through 350 MCM as a single wire, and 1/0 through 4/0 as a double wire. The structure grounding clamp provide a permanent, positive connection of the grounding wire to flat metal surfaces such as tower supports, base plates and substation structures. Read these instructions before mounting the clamps.

NOTE

All dimensions on this sheet are in inches.

DANGER

AVOID PERSONAL INJURY. Always follow all applicable safety precautions.

2. DESCRIPTION

Each clamp assembly is designed with "spring-like" qualities which prohibit relaxation under any environmental condition. The clamp top and base are of a high strength, corrosion resistant copper alloy; they are available unplated and tin plated, and with a variety of types of hardware. The clamp is available as a single piece (top only) or together with the base. See Figure 2.

3. PREPARATION AND INSTALLATION

— Proceed as follows:

1. Clean conductor and structure clamping areas using approved cleaning methods and materials.
2. Place clamp on conductor and attach to structure approximately as shown in Figure 3.

NOTE

When using single conductor, place in groove with notched area.

3. Tighten clamp hardware to 150 in-lbs (16.95 N•m) minimum (UL requirement) using a torque wrench.

4. ADDITIONAL INFORMATION

For additional information, contact:

AMP INCORPORATED
 PO BOX 3608
 HARRISBURG PA 17105-3608

or

AMP OF CANADA LTD
 20 ESNA PARK DR
 MARKHAM ONTARIO
 CAN L3R 1E1

HOTLINE U.S.:
 1 800-722-1111

HOTLINE CAN.:
 1 416 470-4425

or contact your local AMP Distributor.

CLAMP PLATING	PART NUMBERS•			DESCRIPTION	RANGE
	1/2 INCH				
	Galvanized Steel Round Head Bolt	Plated Steel Hex Head Bolt	Silicon Bronze Hex Head Bolt		
UNPLATED	81416-1	81416-2	81416-3■	Top and Base with Hardware	4 AWG Solid, Through 350 MCM Stranded (single conductor) or 1/0 AWG Through 4/0 AWG (Two Conductors)
TIN PLATED	81416-4	81416-5	81416-6		
UNPLATED	81417-1	81417-2	81417-3	Top Only with Hardware	
TIN PLATED	81417-4	81417-5	81417-6		

- Meet UL 467 requirements for above ground or direct burial applications.
- REA approved with silicon bronze hardware.

Fig. 2

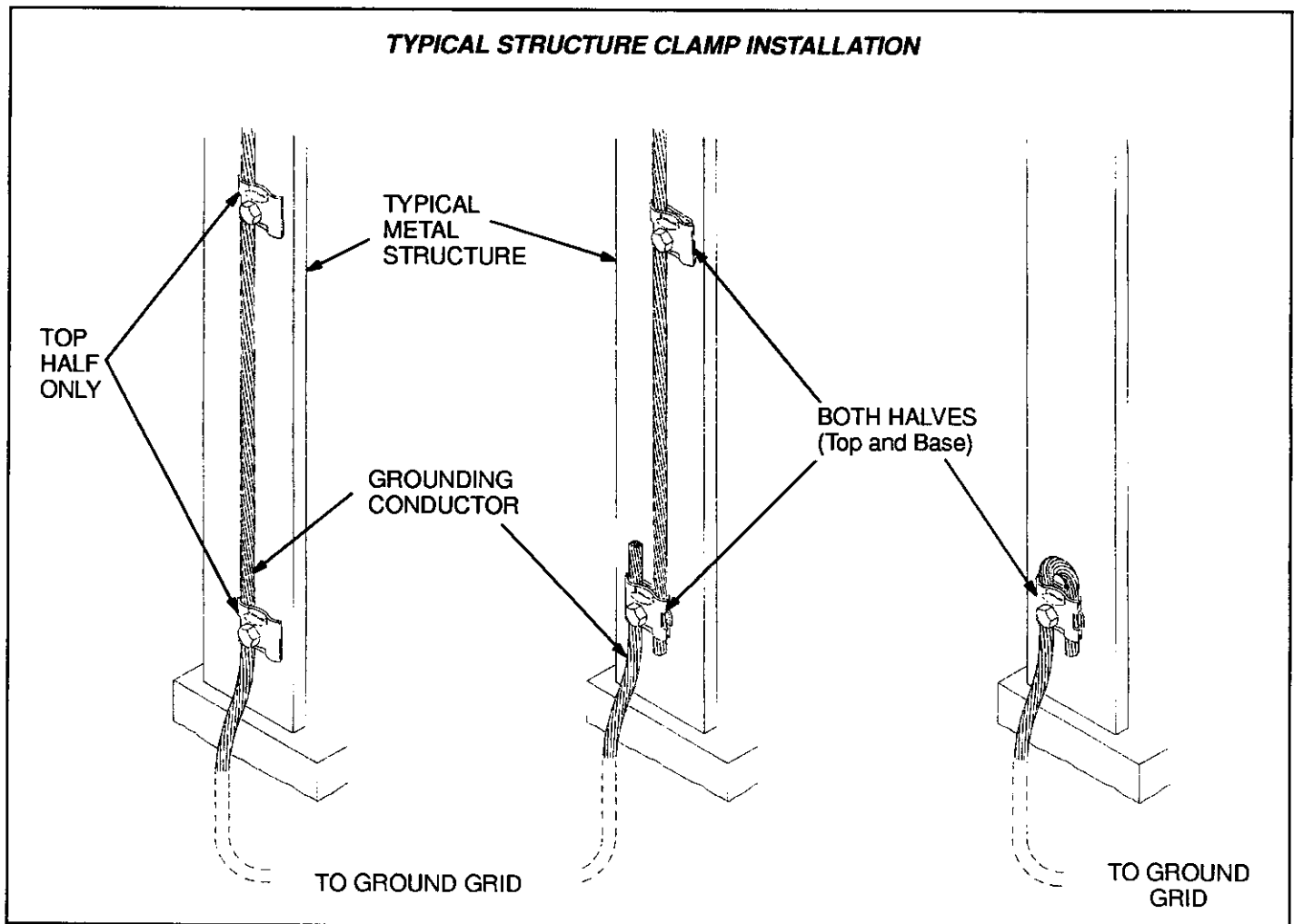


Fig. 3