

Figure 1

1. INTRODUCTION (Figure 1)

This instruction sheet covers the assembly of 50-Ohm RF Series BNC Bulkhead Jack Hex Crimp Connectors 413771-[]. The connectors are terminated with Hand Tool 354940-1 which accepts interchangeable crimping dies. To ensure part compatibility of connector-to-cable and tool-to-die assembly, refer to the Customer Drawing. For cable sizes not listed, contact Product Information number at the bottom of this page for connector recommendations. Operation and maintenance procedures for the hand tool are available in Instruction Sheet 408-9930.

NOTE All dimensions on this document are in metric units [with U.S. customary units in brackets]. Figures and illustrations are for identification only and are not drawn to scale.

Reasons for revision are given in Section 4, REVISION SUMMARY.

2. DESCRIPTION

The connector consists of a jack assembly, contact, jam nut, lockwasher, gasket, and a ferrule. A spacer and plastic tubing are also provided with connectors which use air core dielectric cable (see Customer Drawing for part availability). Details concerning product specifications are available in Catalog 1307191.

3. ASSEMBLY PROCEDURE

1. Slide ferrule over the end of the cable; then strip cable using the appropriate strip-length dimensions provided in Figure 2 or 3.

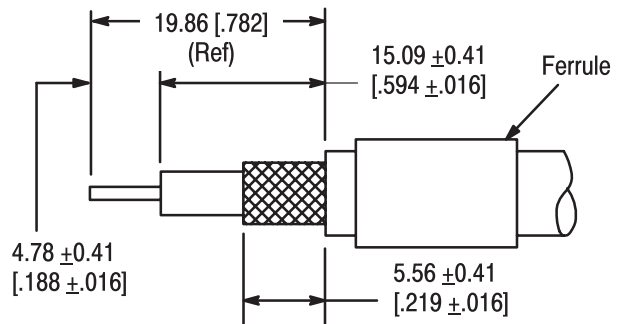
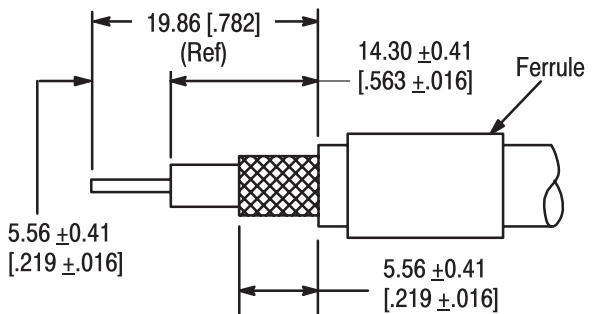


Figure 2



NOTE: For cables with air core dielectric only: RG-62/U, RG-62A/U, RG-62B/U.

Figure 3

NOTE



If a plastic spacer and tubing are provided with the connector, they must be installed before the center contact is crimped. The spacer is positioned over the center conductor and against the air core dielectric. To install the tubing, slide it over the dielectric. For part availability, refer to the Customer Drawing.

2. Insert center conductor into contact; then crimp contact using hand tool 354940-1 (fitted with the appropriate die assembly). See Figure 4.

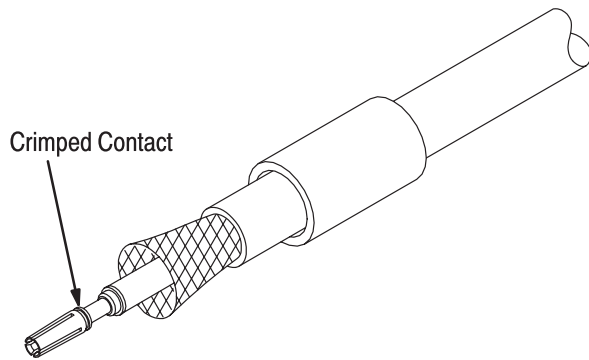


Figure 4

3. Insert contact into jack assembly until it snaps into place. Make sure that the cable braid is positioned over the support sleeve of the jack assembly. Gently pull back on the cable to ensure that the contact is held in place by the internal locking feature. See Figure 5.

4. Slide ferrule forward over braid and support sleeve; then crimp ferrule using hand tool 354940-1 (fitted with the appropriate die assembly). See Figure 6.

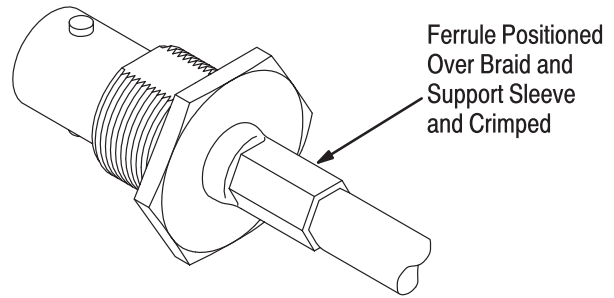


Figure 6

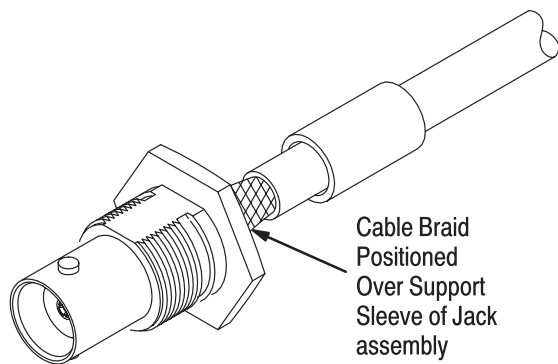


Figure 5

5. Make the panel cutout using the dimensions in Figure 7. Install gasket onto connector assembly; then insert connector through the cutout and secure it with the lockwasher and jam nut.

4. REVISION SUMMARY

- Updated document to corporate requirements
- New format
- Changed Hand Tool 220190-1 to 354940-1
- Changed Instruction Sheet IS 2901 to 408-9930
- Changed Catalog 82074 to 1307191

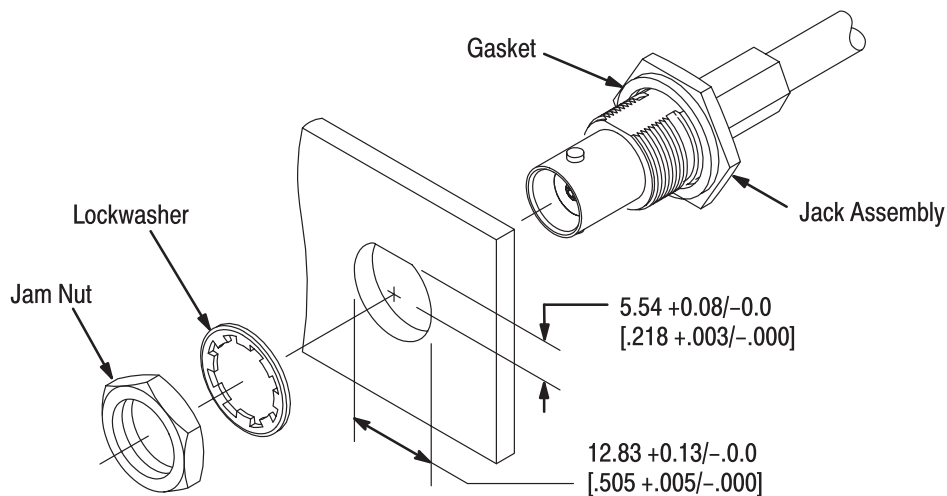


Figure 7