

AMPAMP INCORPORATED
HARRISBURG, PA 17105

REDUCED FOR PACKAGING

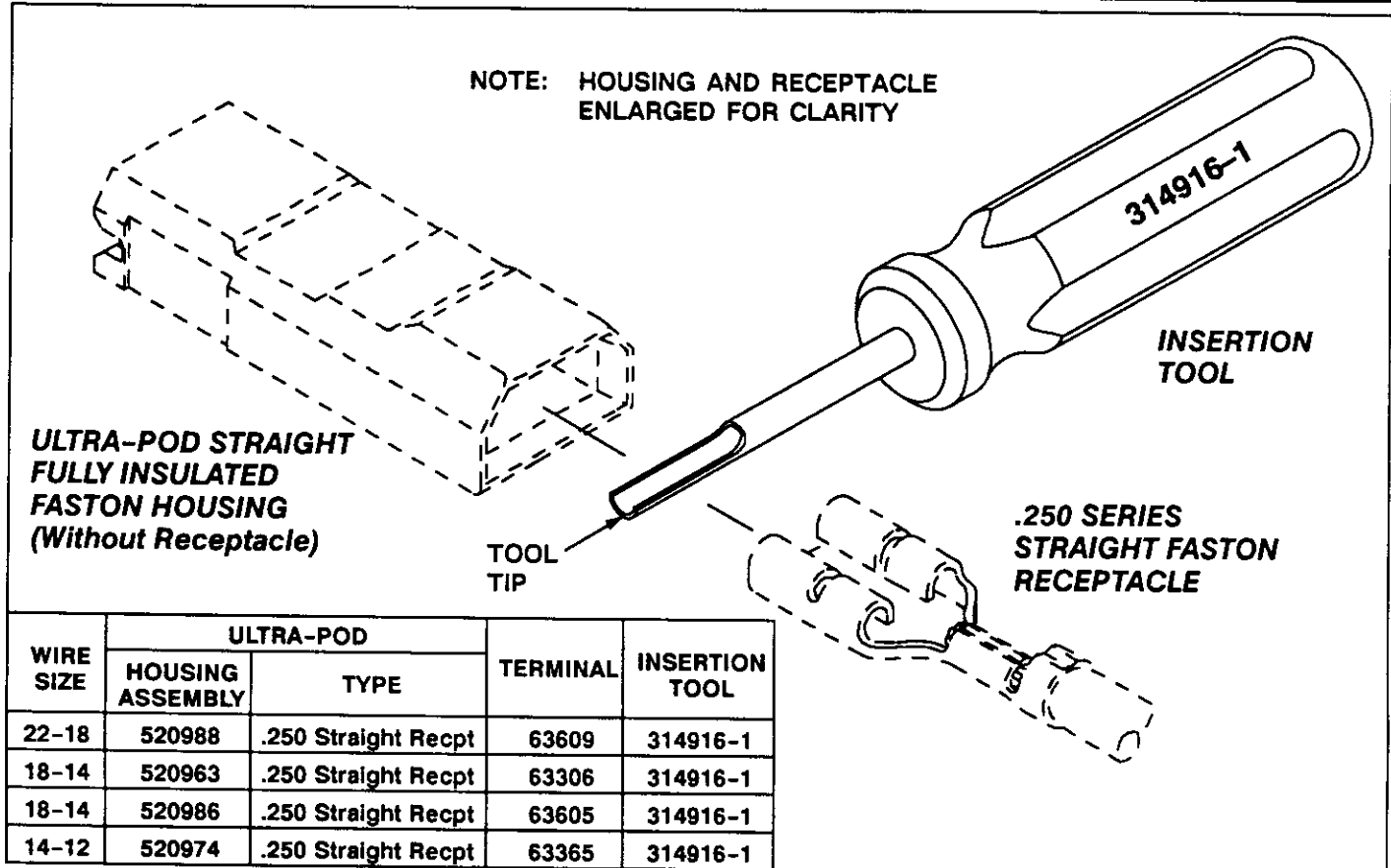
IS 9725INSERTION TOOL 314916-1
FOR AMP* ULTRA-POD FULLY INSULATED
FASTON* RECEPTACLESCUSTOMER HOTLINE
1 800 722-1111RELEASED
7-15-91

Fig. 1

cad

1. INTRODUCTION

AMP Insertion Tool 314916-1 is used to insert FASTON .250 Series Straight Receptacles into Ultra-Pod Fully Insulated Housings. Read these instructions thoroughly before inserting any contacts.

NOTE

All dimensions on this sheet are in inches.

2. DESCRIPTION

The tool tip features a channel to fit against the back of the contact; you are able to grasp the wire connected to the contact; the tool handle assists in applying even pressure during the entire procedure.

3. INSERTION PROCEDURE (See Figure 2)

Insert the contact as follows:

1. Start the contact and its attached wire into the selected housing cavity using your fingers.
2. Place the tip of the tool against the back of the contact (insulation support), and place the wire in the groove of the tool.
3. With one hand holding the housing, and the other hand holding the tool, slowly and steadily push the partially inserted contact into the cavity.
4. Push the contact into the cavity until it meets the retention feature inside the housing; lift up slightly on the tool handle, raising the rear of the crimped receptacle while pushing contact (maximum 12 lb. insertion force) under the retention feature. Contact will now bottom in the cavity. Withdraw the tool.
5. Ensure the insertion is correct by pulling lightly on the contact wire to make certain that the contact is locked in place.

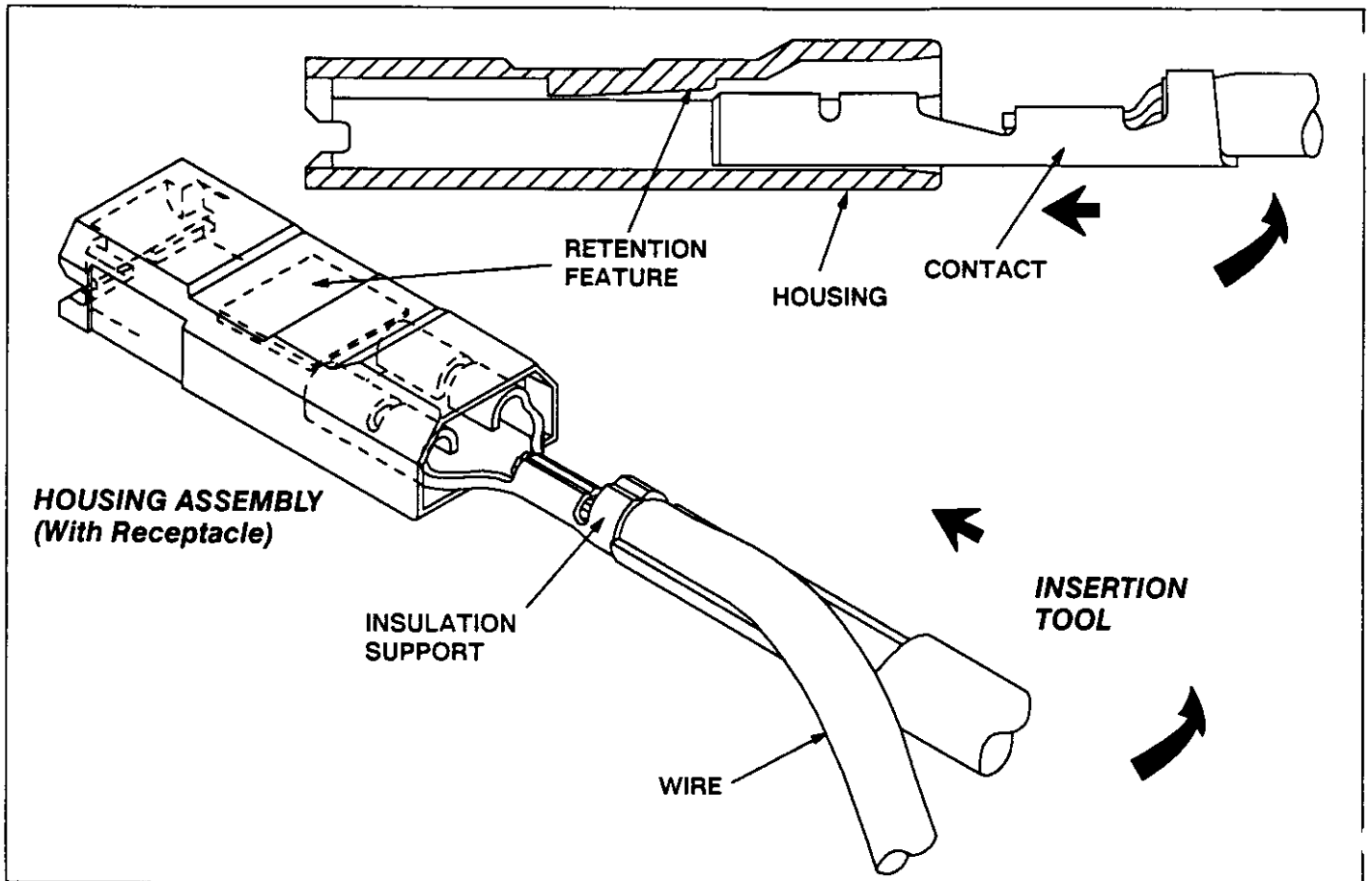


Fig. 2

cad

4. MAINTENANCE AND INSPECTION

a clean, dry place and cleaned with a soft, lint-free cloth.

To ensure proper operation, the tool should conform to the dimensions provided in Figure 3. It is recommended that the tool be inspected immediately on its arrival and at regularly scheduled intervals. The tool is not repairable and should be replaced when worn or damaged. It is recommended that the tool be stored in

Additional tools can be purchased from:

CUSTOMER SERVICE (38-35)
AMP INCORPORATED
P. O. BOX 3608
HARRISBURG, PA 17105-3608

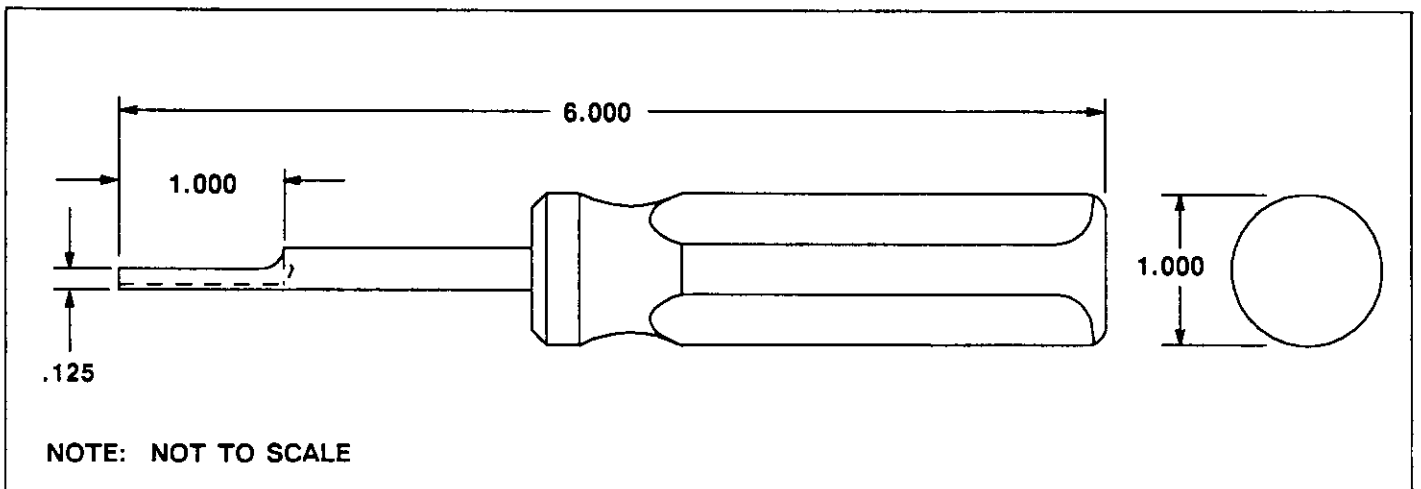


Fig. 3

cad