

■ REPLACEABLE PARTS

Fig. 1

1. INTRODUCTION

The AMP Extraction Tip 465665-1, shown in Figure 1, is used with the Universal Handle Assembly 465629-1 to remove .250 Series FASTIN-FASTON terminals, listed in Figure 2, from Tab and Receptacle Housing Connectors. Read these instructions thoroughly before removing any terminals. For assembly of tip to handle, refer to IS 7141 packaged with handle.

2. DESCRIPTION

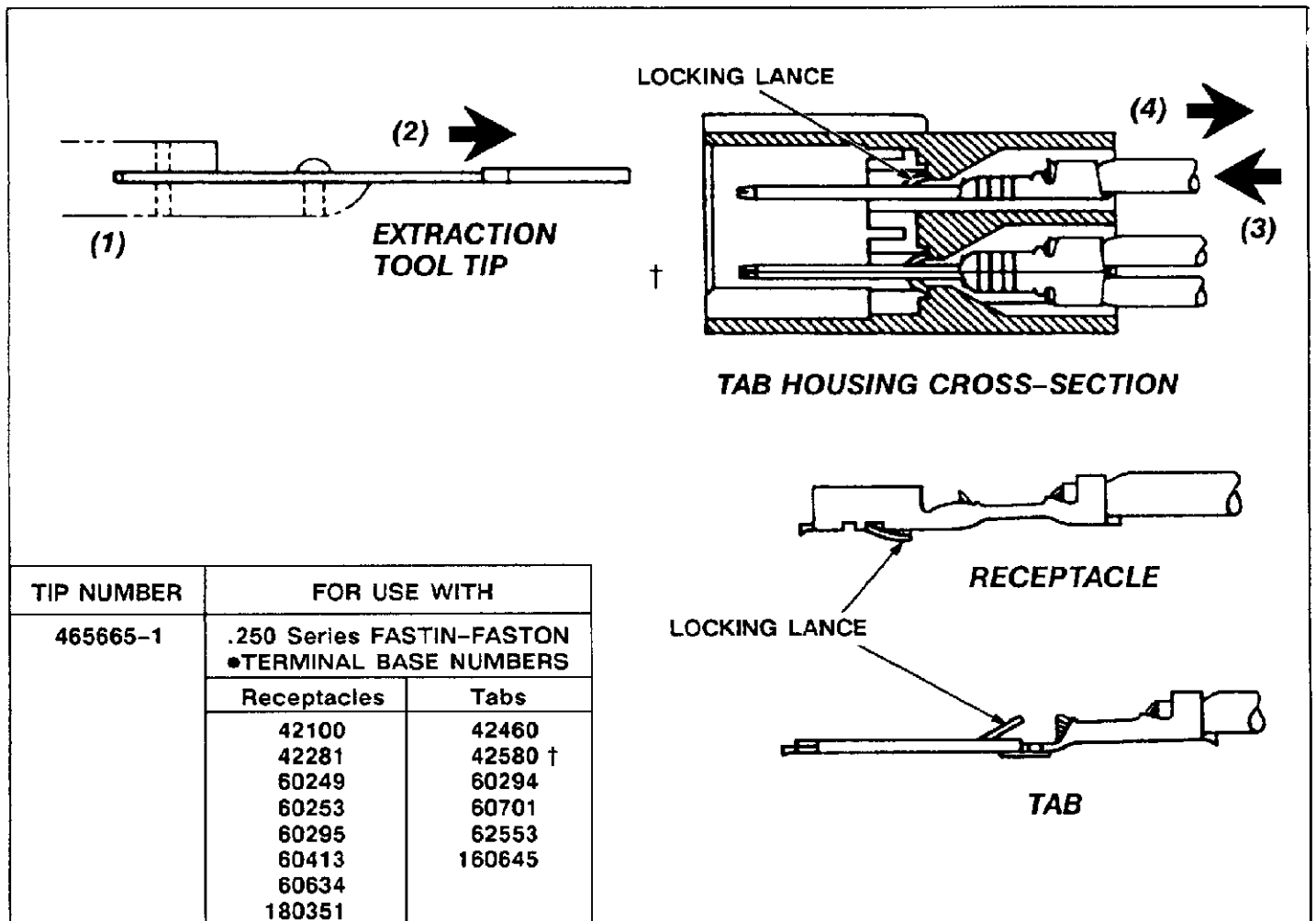
The extraction tip, once installed on the handle assembly, is used in a straight line manner, aligned with the mating face of the connector housing to depress the locking lance of the contact which retains the contact in the housing. See Figure 2.

3. EXTRACTION PROCEDURE

It will be necessary to depress the locking lance of the contact from its cavity inside the connector housing.

**NOTE**

*All dimensions on this sheet are in inches.*



† Used for back-to-back with a combined thickness of .032.

● Partial listing, for further information contact your AMP Representative.

Fig. 2

Refer to Figure 2 and proceed as follows:

1. Orient the tip of the extraction tool with the mating face of the connector.

2. Insert tip of tool, aligned in the center of the housing cavity where the locking lance is located.

3. If locking lance is difficult to depress, push wire from BACK of housing TOWARD tool and depress locking lance.

4. With locking lance depressed, pull BACK on wire and remove contact from cavity.

5. Remove tool from housing.

#### 4. MAINTENANCE AND INSPECTION

To ensure proper operation, the tool should conform to the dimensions provided in Figure 3. It is recommended that the tool be inspected immediately on its arrival and at regularly scheduled intervals. It is recommended that the tool be stored in a clean, dry place and cleaned with a clean, soft, lint-free cloth.

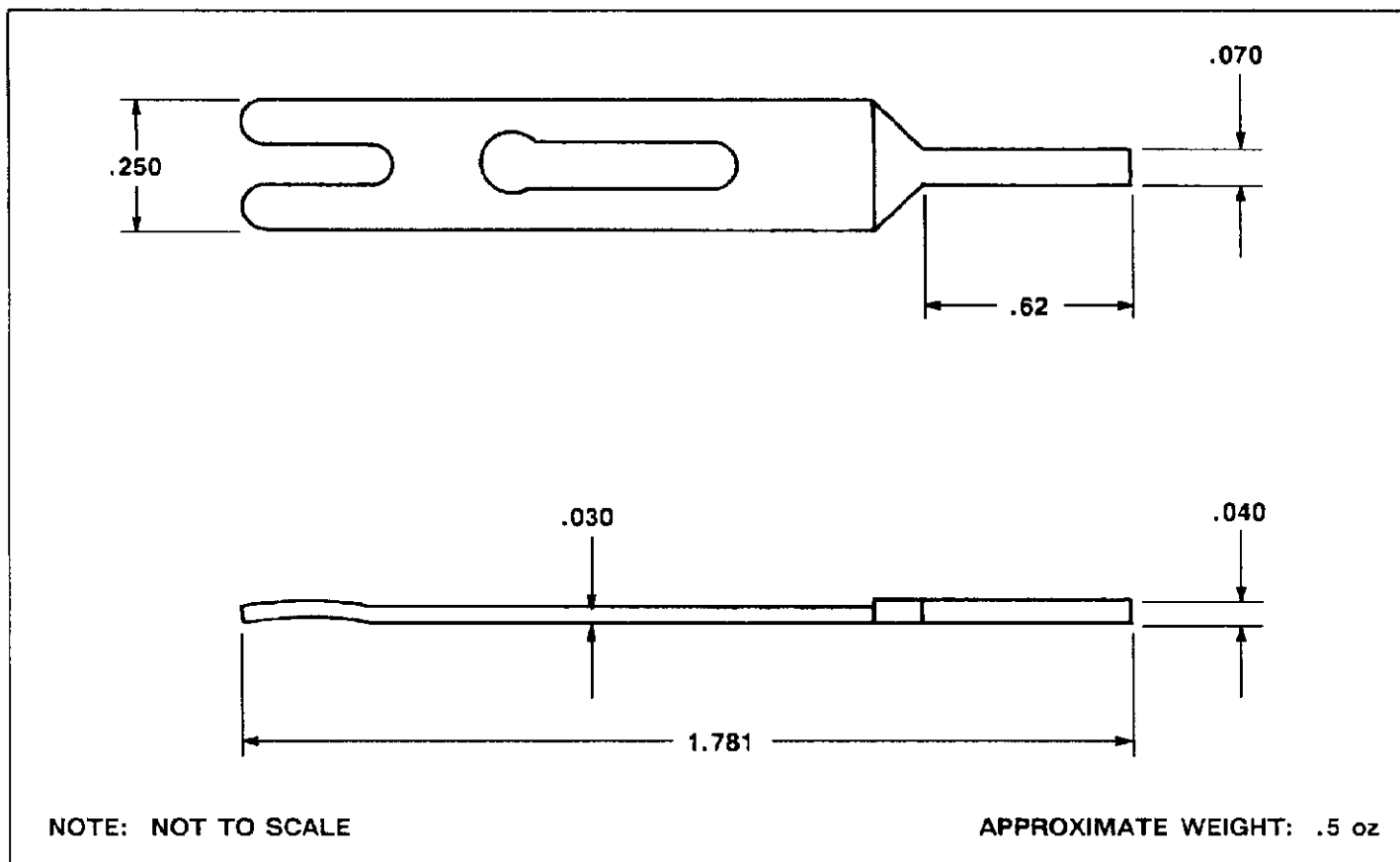


Fig. 3

## 5. REPAIR

A complete inventory of the customer-replaceable parts listed in Figure 1 should be stocked for immediate replacement. Other than those replaceable parts, the remaining pieces are not repairable. Replacement parts, or new tools, can be ordered from:

CUSTOMER SERVICE (38-35)  
AMP INCORPORATED  
P. O. BOX 3608  
HARRISBURG, PA 17105-3608