

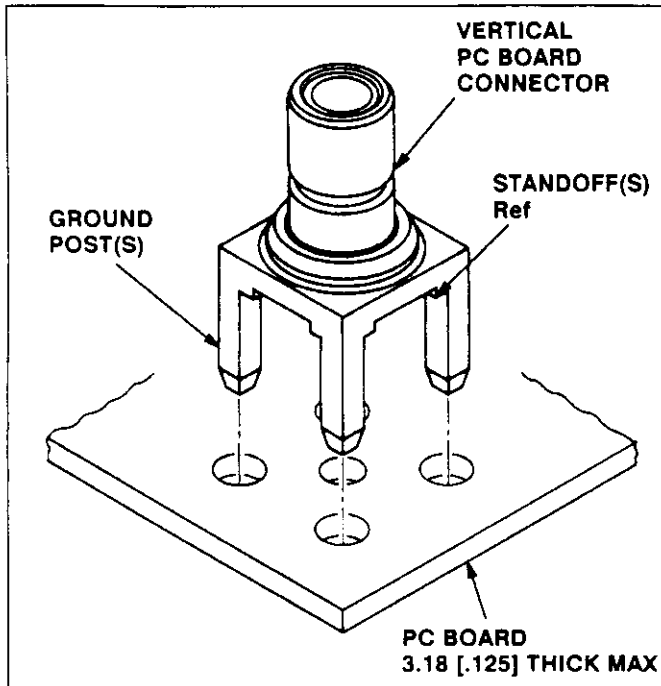
**AMP**AMP INCORPORATED  
HARRISBURG, PA 17105CUSTOMER HOTLINE  
1 800 722-1111AMP\* SMB  
PRINTED CIRCUIT (PC) BOARD  
VERTICAL JACK CONNECTOR P/N 413990**IS 9513**RELEASED  
9-23-91

Fig. 1 90-235

**1. INTRODUCTION**

This instruction sheet (IS) covers the installation of AMP SMB Vertical Jack Connectors designed for printed circuit (pc) board mount applications. Read these instructions thoroughly before mounting a connector to a pc board.

**NOTE**

Dimensions on this instruction sheet are in millimeters followed by inches in brackets.

**2. DESCRIPTION**

Each connector consists of a receptacle body with a center contact and dielectric, four ground posts with standoffs, and a signal post. The connector can be mounted from the center to the outer edge of a 3.18 [.125] thick (maximum) pc board. See Figure 1.

**3. MOUNTING PROCEDURES (Figure 2)**

1. Determine location for connector on pc board.
2. Make a layout on the pc board using the dimensions shown in Figure 2.
3. Insert the connector into the pc board until the standoffs are seated on the pc board, as shown in Figure 2.
4. Solder the connector to the pc board using standard hand-solder or wave-solder techniques. The connector must remain seated on the pc board when soldering.
5. Measure the mounting height of the connector, as shown in Figure 2. The mount height should measure  $7.85 \pm .20$  [.309  $\pm$  .008].

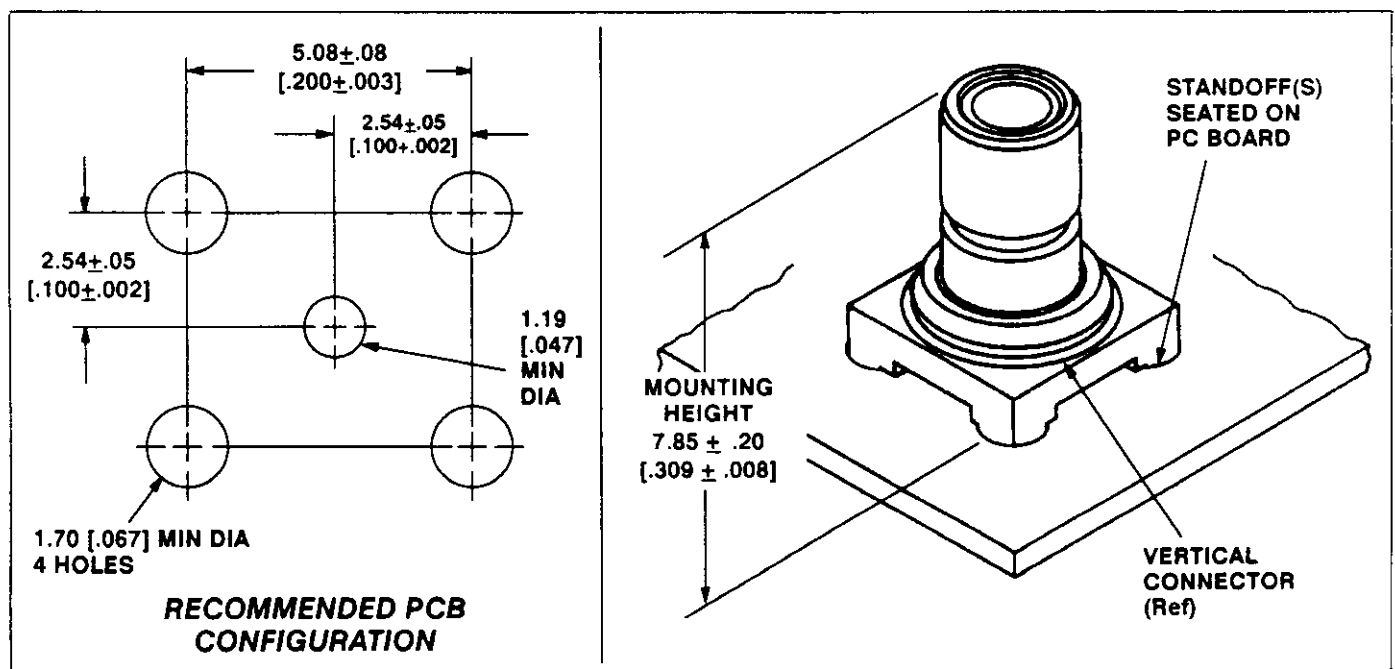


Fig. 2

200-061E. 90-236