

**PROPER USE GUIDELINES**

Cumulative Trauma Disorders can result from the prolonged use of manually powered hand tools. Hand tools are intended for occasional use and low volume applications. A wide selection of powered application equipment for extended-use, production operations may be available.

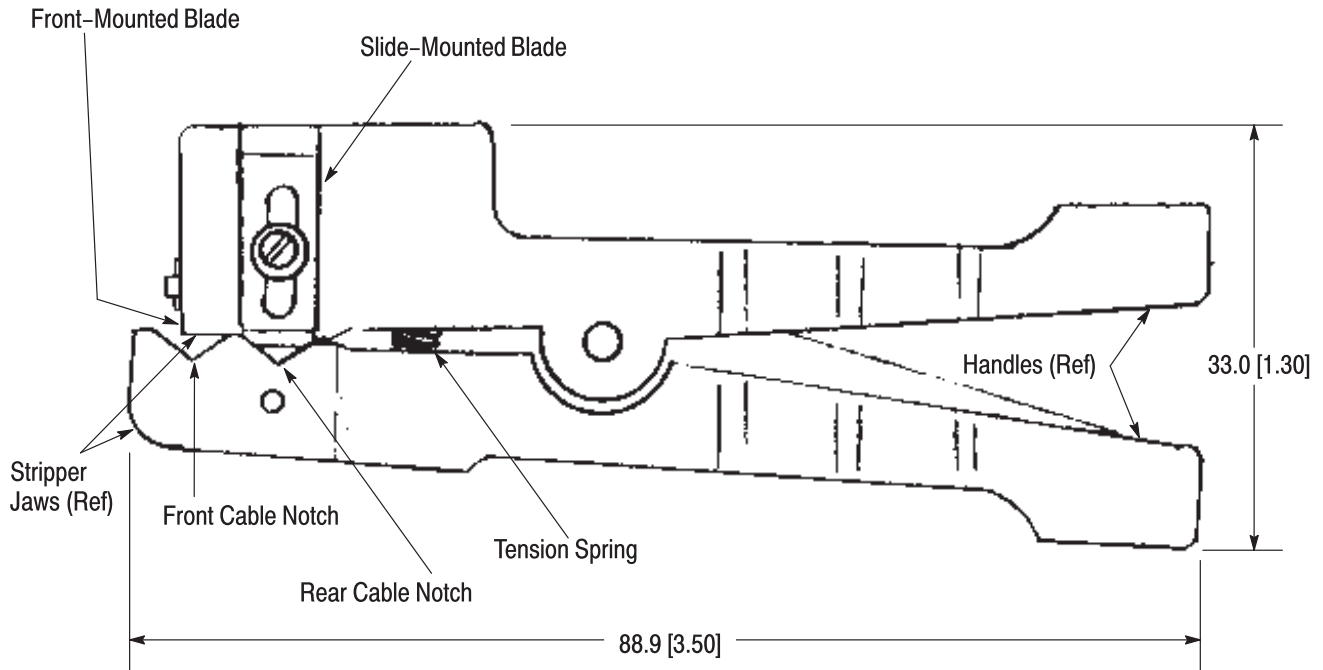


Figure 1

**1. INTRODUCTION**

This instruction sheet covers the use of Fiber-Optic Cable Jacket Stripper 501198-1 which is shown in Figure 1. The stripper is supplied in several fiber-optic kits such as OPTIMATE\* Installers Kit 501258. Read this material thoroughly before proceeding.

**NOTE** *All dimensions in this document are in millimeters [with inches in brackets]. Figures and Illustrations are for reference only and are not drawn to scale.*

Reasons for reissue of this document are provided in Section 4, REVISION SUMMARY.

**2. DESCRIPTION** (Figure 1)

Fiber-Optic Cable Jacket Stripper 501198-1 is designed to strip fiber-optic cable ranging in diameter from 3.18–6.35 mm [.125–.250 in.]. The stripper features two side-mounted, square blades; one front-mounted, rounded blade; a tension spring, and two cable notches.

The two side-mounted blades are designed to cut into the cable at a pre-determined depth, and the front-mounted blade is used to make a length-wise cut in the cable jacket. The notches hold the cable in place during the stripping procedure.

**3. USING THE STRIPPER**

**3.1. Adjusting the Stripper Blades**

To adjust the stripper blades, proceed as follows:

1. For fiber-optic cable, only one side blade is required. Decide which blade will not be used, and loosen the screw that holds it in place. Slide the blade up as far as it will go, and then tighten the screw.
2. Place the cable in the rear notch and butt the cable against the blade being used for the stripping procedure.
3. Loosen the blade-holding screw and raise or lower the blade to the proper depth. The blade must cut through the cable jacket, without cutting into the material below the jacket.

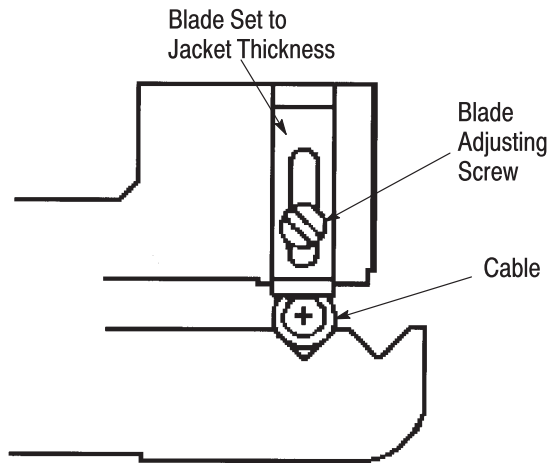


Figure 2

4. Using a sample cable, check for proper blade-height adjustment. See Figure 2. Follow the stripping procedure listed in Paragraph 3.2 and perform a test strip. Re-adjust the stripper if necessary.

### 3.2. Stripping the Cable (Figure 3)

Once the stripper has been properly adjusted and the cable strip point has been determined, proceed as follows:

1. Open the stripper jaws and insert the cable into the rear notch so that the unstripped cable will be held in the jaws, and the stripper blade is facing the end of the cable.
2. Position the blade at the cable strip point, release the stripper handles, and rotate the stripper downward for several rotations. Refer to Figure 3.

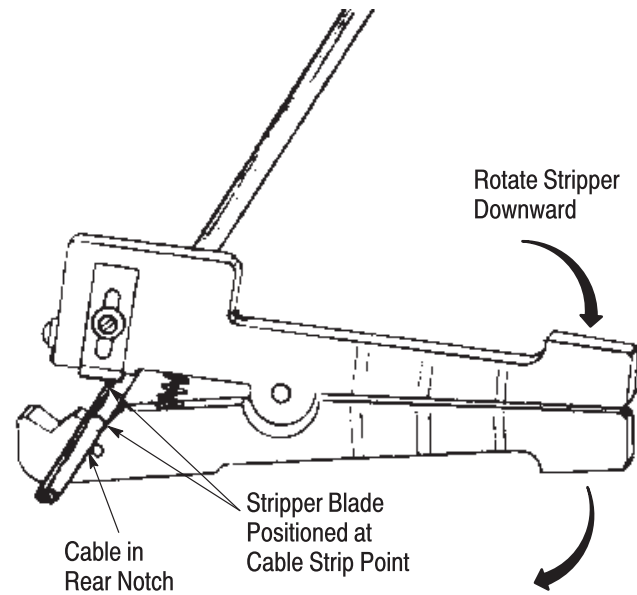


Figure 3

#### CAUTION



*The tension spring in the stripper is designed to provide the correct pressure on the stripper blades. Do NOT force the stripper jaws closed.*

3. Remove the stripper and slide the stripped cable jacket away from the cable.

### 4. REVISION SUMMARY

- Updated document to corporate requirements
- New format
- Added new Figure 2 and renumbered