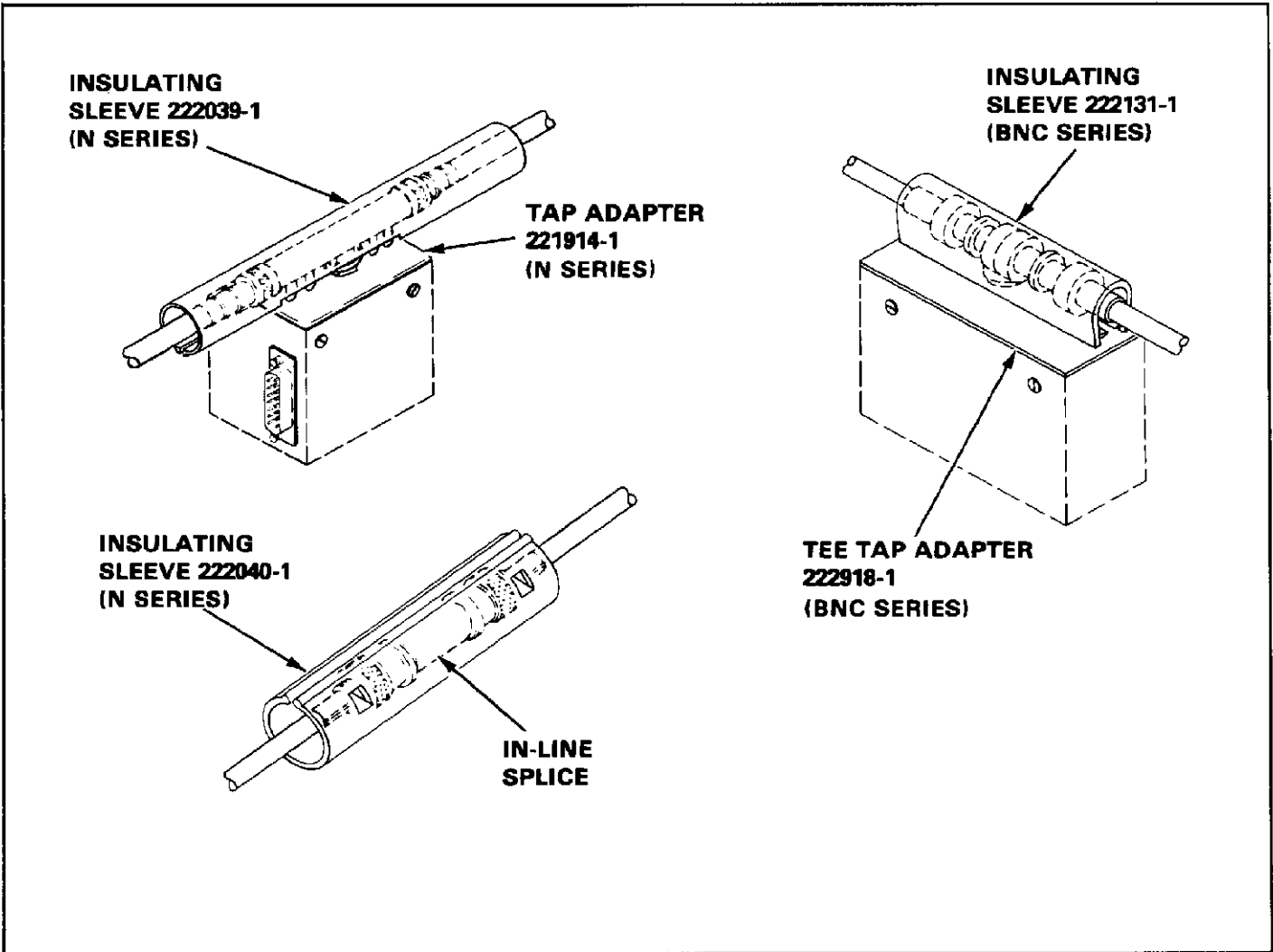


CUSTOMER HOTLINE 1 800 722-1111



1. INTRODUCTION

This instruction sheet (IS) describes Insulating Sleeves 222039-1, 222040-1, and 222131-1. The sleeves are used to cover all exposed metal components on AMP LAN-LINE★ Tap Adapters and attached connectors to avoid connection of electrical ground on the coaxial cable to the earth ground of a building.

2. DESCRIPTION (Figure 1)

The sleeves, shown in Figure 1, are made from PVC. Here's how they are used:

- Sleeve 222039-1 is used with N Series Tap Adapter 221914-1.

- Sleeve 222040-1 is used when the N Series Tap Adapter is removed from the system and replaced with an in-line splice.
- Sleeve 222131-1 is designed for use with BNC Series Tee Tap Adapter 222918-1, or with BNC Series Vertical Tap Adapter 222994-1, when equipped with a tee connector (not shown).

3. INSTALLATION

Spread the sleeve apart and push it straight down over the connectors and cable.