

Figure 1

87-47

1. INTRODUCTION

This instruction sheet describes the assembly and installation of AMP 50-Ohm N Series Tap Adapter 221914-1. Read these instructions carefully before assembling and installing the tap adapter.

Reasons for reissue are in Section 5, REVISION SUMMARY.

2. DESCRIPTION

The tap adapter consists of a plastic body, two jacks for connecting N Series connectors, three probe-type contacts, and a plastic contact cover. See Figure 1.

The tap adapter, which complies with IEEE Standard 802.3, 10Base5, lets you tap a 50-ohm network cable and connect an RS-232 transceiver to the cable. An RS-232 device is then connected to the transceiver.

3. ASSEMBLY

1. If the transceiver has tap mounting screws installed, remove them.
2. Remove the contact cover from the tap adapter.
3. Plug the tap adapter into the transceiver. See Figure 2.
4. Install two transceiver mounting screws to secure the tap adapter in place.

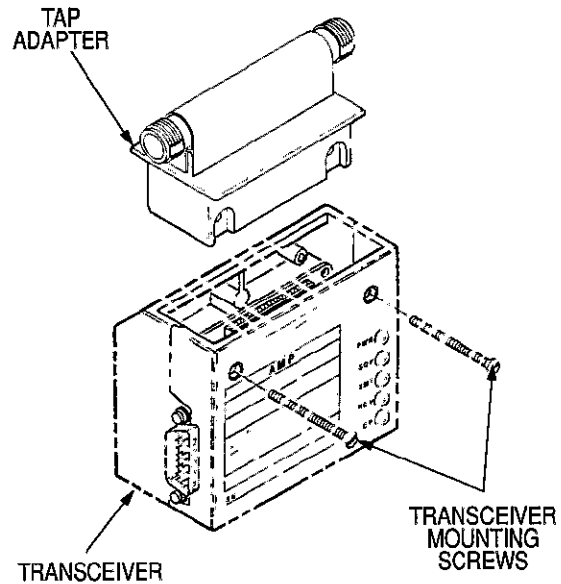


Figure 2

87-26

4. INSTALLATION (Figure 3)

A tap adapter is installed on a cable as follows:

NOTE

The tap adapter should not be subjected to more than 133 N [30 lb] tension.

1. Turn off the system power.
2. Cut the cable to be tapped.

3. Terminate each end of the cable with a 50-ohm N Series plug connector.
4. Connect the N Series connectors to the tap adapter.
5. Insulate all exposed metal parts of the tap adapter and connectors from external ground. Insulating Sleeves 222039-1 and 222040-1 are available from AMP; see instruction sheet 408-9355 for installation instructions.

NOTE

Put the contact cover back on the tap adapter whenever the transceiver is removed from the adapter.

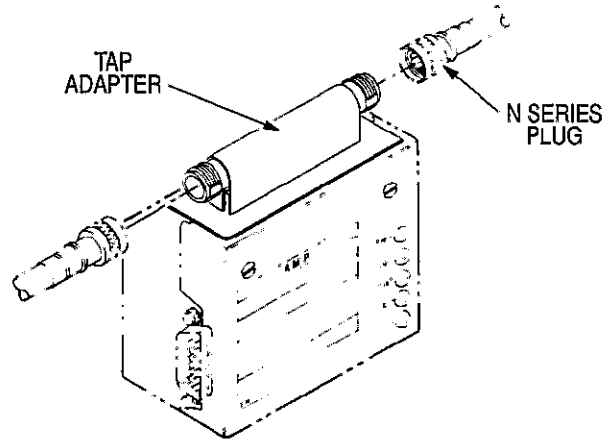


Figure 3

88-25

5. REVISION SUMMARY

The following changes and additions were made to this document per EC 0990-0252-93:

- New format
- Metric measurements added