

Figure 1

1. INTRODUCTION

This instruction sheet covers the installation and use of AMPLIMITE Two-Piece Spring Latches which are used with AMPLIMITE connectors. Read these instructions carefully before installing the spring latches.

NOTE



Dimensions in this instruction sheet are in metric units [with U.S. customary units in brackets]. Figures and illustrations are for identification only and are not drawn to scale.

2. DESCRIPTION

AMPLIMITE two-piece spring latches are used with AMPLIMITE latching blocks to secure mated AMPLIMITE connectors (see Figure 1). The spring latches are designed to be used with the following connectors when the connector is mounted in a post molded strain relief: HDE-20, HDP-20, and HDP-22 metal-shell connectors; and HDF-20 standard profile metal-shell connectors.

3. INSTALLING SPRING LATCHES (Figure 2)

Install spring latches as follows:

1. Slide spring latches onto connector flange (see Figure 2).
2. Position spring latches on connector so that spring latch clamps are 5.59 mm [.220 in.] from edge of connector flange as shown in Figure 2.
3. Post mold the strain relief on connector. Note that for proper operation of the spring latch, the walls of the strain relief must lie 5.08 mm [.200 in.] to 6.10 mm [.240 in.] away from the edge of the connector flange as illustrated in Figure 2.

4. INSTALLING LATCHING BLOCKS

For instructions concerning the selection and installation of latching blocks used with AMPLIMITE spring latches, refer to Instruction Sheet 408-9128.

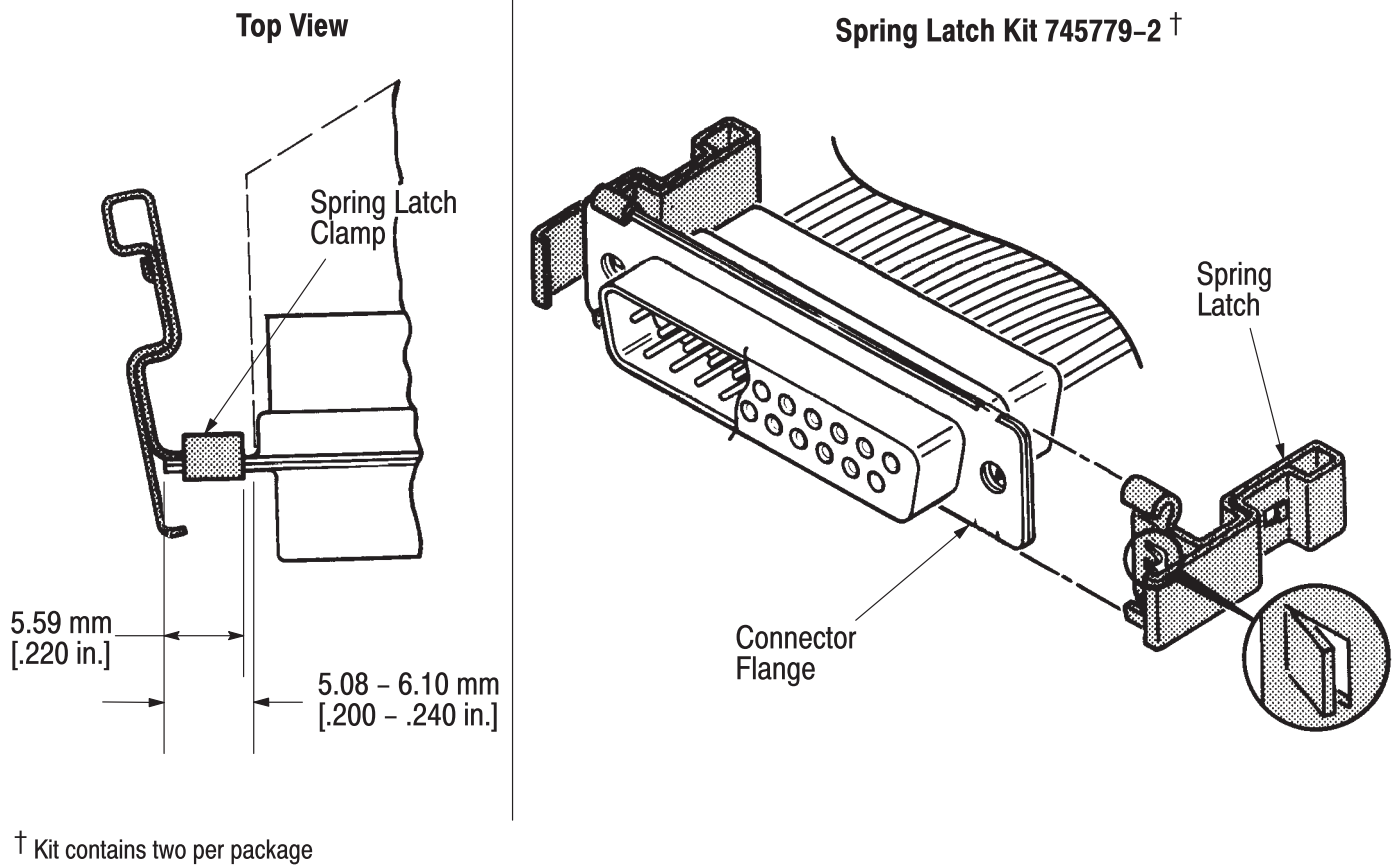


Figure 2

5. ENGAGING CONNECTORS

Align connectors and push them together until spring latches snap into grooves in both latching blocks.

6. DISENGAGING CONNECTORS

Grasp connector and squeeze latches open. While holding the spring latches open, pull the connectors straight apart.

7. REVISION SUMMARY

Revisions to this instruction sheet include:

- Updated document format to corporate standards
- Added Revision Summary