
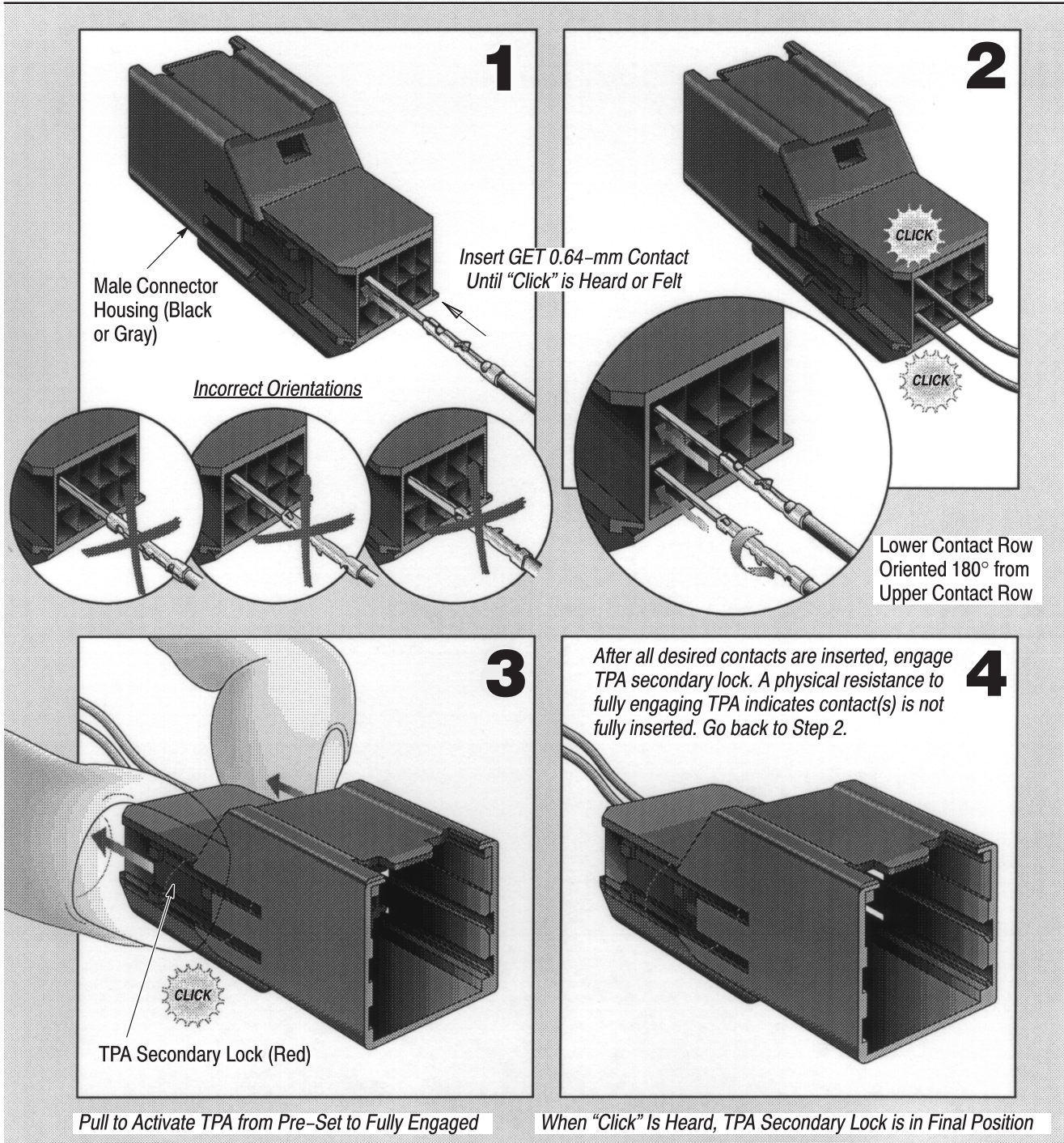


1. MOUNTING

NOTE This document is representative of all connector positions in this product family.



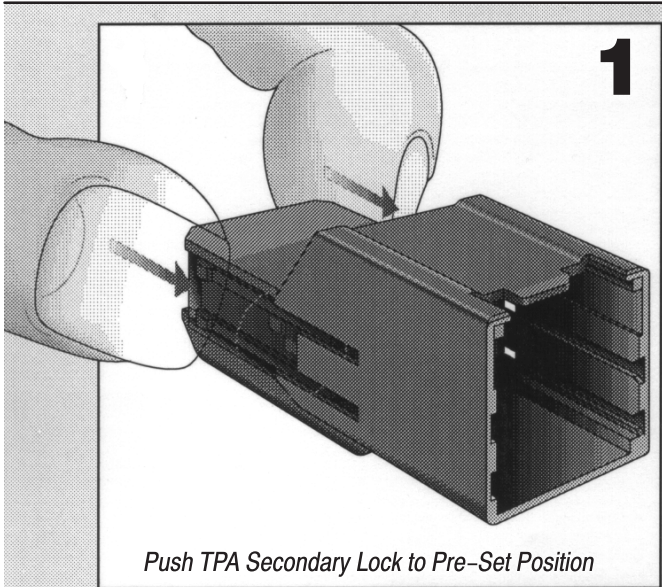
Reasons for reissue of this instruction sheet are provided in Section 3, REVISION SUMMARY.



2. DISMOUNTING

NOTE

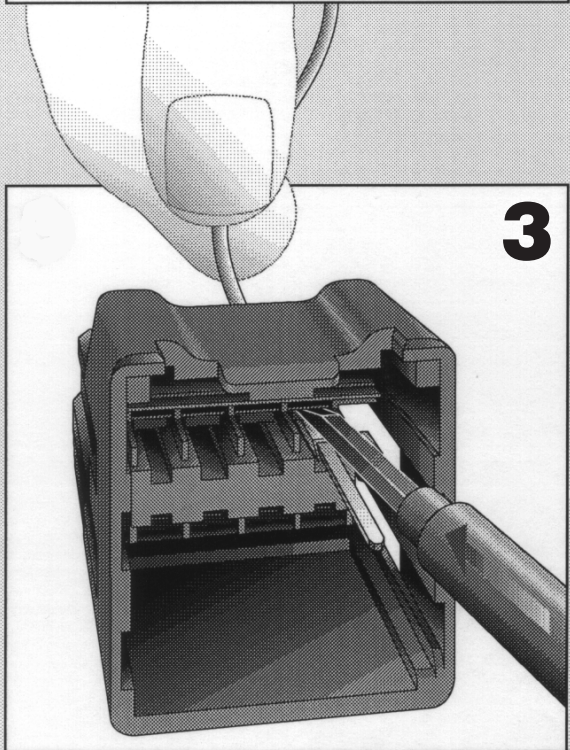

DO NOT re-use damaged or worn contacts; instead, replace them with new contacts and discard the old ones.



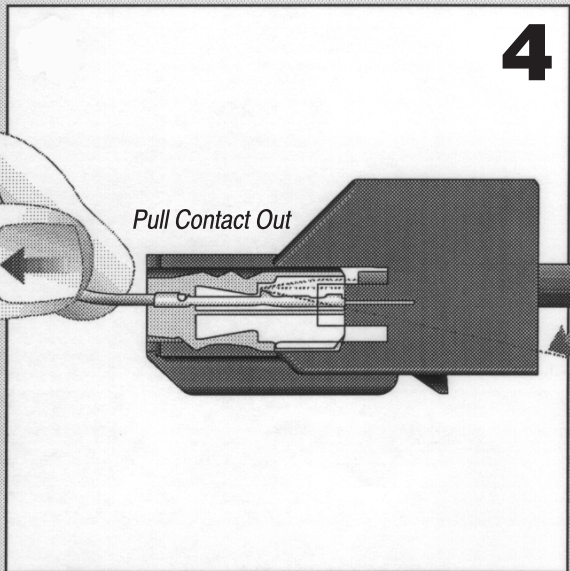
Push TPA Secondary Lock to Pre-Set Position



To remove TPA, push TPA past pre-set position. Use Extraction Tool 3-1579007-6 under TPA to gently pry out.



To remove contacts, place extraction tool under beam that holds contact in place.



Rotate extraction tool to release beam while simultaneously pulling contact out.

3. REVISION SUMMARY

Revisions to this instruction sheet include:

- Updated document to corporate requirements