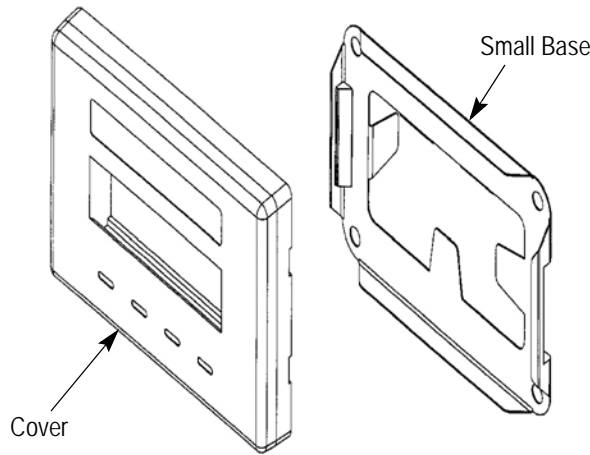




Small Base Outlet Kit 1375005-[]



Large Base Outlet Kit 1375006-[]

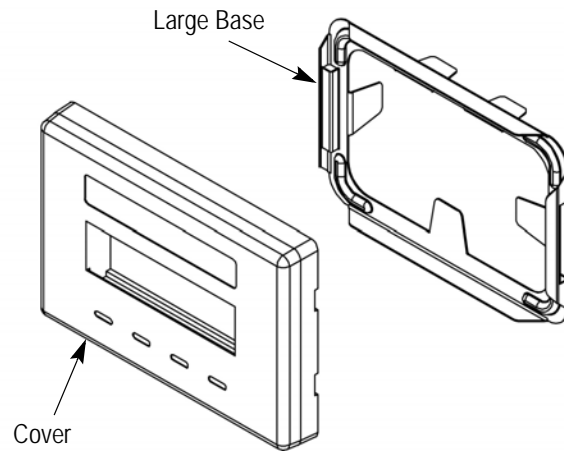


Figure 1

1. INTRODUCTION

This instruction sheet provides installation procedures for the SL Series Furniture Outlet Kits shown in Figure 1.

Reasons for reissue of this document are provided in Section 5, REVISION SUMMARY.

NOTE
 Dimensions are in millimeters with [inches in brackets]. Figures and illustrations are for reference only and are not drawn to scale.

NOTE
 Standard 110 style keystone and Shielded SL style jacks will NOT fit into the furniture outlets.

NOTE
 Refer to Product Catalog 82164 for a listing of available jacks and inserts.

To obtain information on AMP NETCONNECT* products, call PRODUCT INFORMATION at the number at the bottom of this page or visit the AMP NETCONNECT website at www.ampnetconnect.com.

2. DESCRIPTION

Each outlet kit includes a base and cover. The plastic covers are available in five standard colors: light almond, black, white, gray, and electrical ivory. The metal base attaches directly to the furniture panel, and accommodates two size panel knockout openings. See Figure 2.

AMP NETCONNECT logo is a trademark of TE Connectivity.

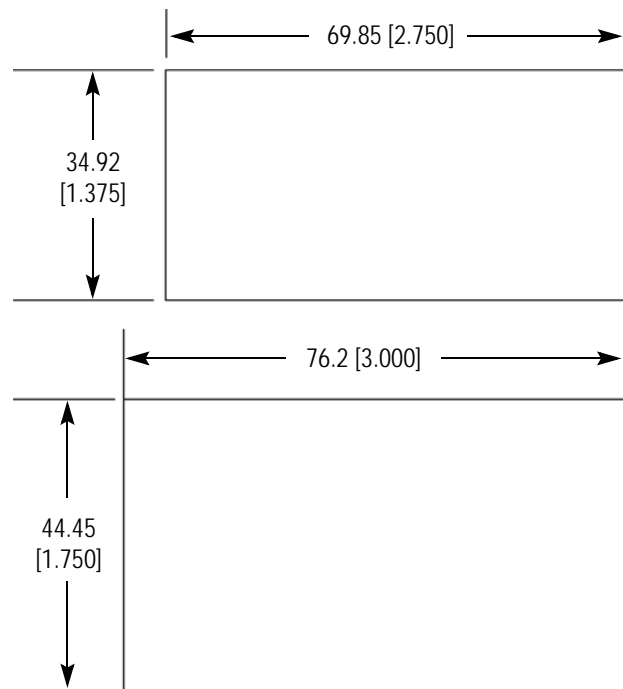


Figure 2

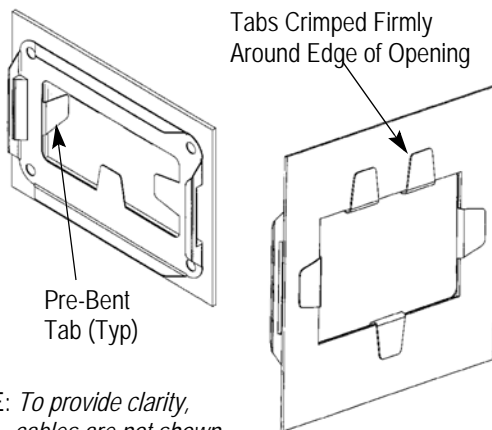
3. MOUNTING PROCEDURES

Remove the appropriate knockout from the furniture panel or base and pull the cables through the opening.

3.1. Base Installation (Figure 3)

Select the proper kit that corresponds to the opening size. The base mounts directly to the furniture panel. Proceed as follows:

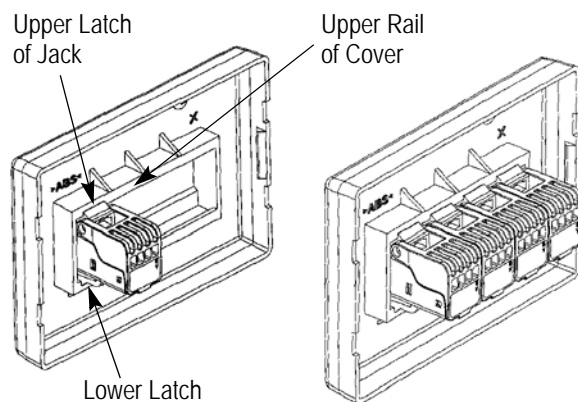
1. Route the wires through the center opening in the metal base. Insert the metal base into the opening using the pre-bent tabs as a guide.
2. While firmly holding the pre-bent tabs against two sides of the furniture opening, bend the side tab tightly around the edge of the furniture opening.
3. While maintaining the correct position of the metal base in one hand, bend the freestanding tabs tightly around the edge of the opening.



NOTE: To provide clarity, cables are not shown.

Figure 3

4. Bend the remaining pre-bent tabs around the edge of the opening to complete the installation.
5. Using slip-joint pliers, firmly crimp the tabs around the edge of the opening, locking the metal base into the correct position.



NOTE: To provide clarity, cables are not shown.

Figure 4

3.2. Jack Termination and Installation (Figure 4)

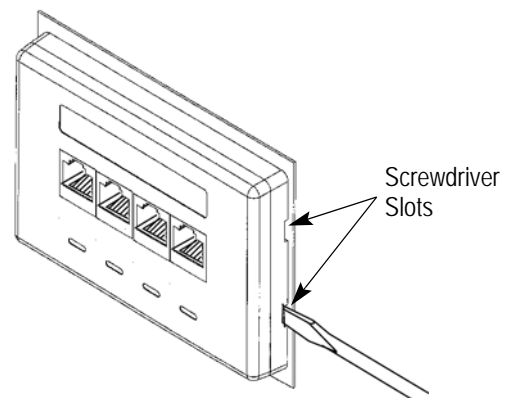
1. Terminate the SL Series Furniture Outlet Kit Jacks according to the instructions packaged with the jacks.
2. Install the jacks into the plastic outlet cover by locating the upper latch of the jack onto the upper rail of the cover. Next, gently pivot the jack until the lower latch of the jack engages onto the lower rail of the cover and snaps into place. Repeat these procedures for the remaining three port locations.

3.3. Insert Installation

Install the inserts into the plastic outlet cover by locating the upper latch of the insert onto the upper rail of the cover. Next, gently pivot the insert until the lower latch of the insert engages onto the lower rail of the cover and snaps into place. Repeat these procedures for the remaining three port locations.

3.4. Cover Installation (Figure 5)

Install the loaded plastic outlet cover onto the pre-attached metal base by centering the cover over the base and gently pushing the wiring into the furniture panel and snapping the cover into place.



NOTE: To provide clarity, cables are not shown.

Figure 5

4. COVER REMOVAL (Figure 5)

Insert a small flat-bladed screwdriver into the slots provided on the cover and gently lift the cover from the base.



Care must be used to avoid damaging the base or cover.

5. REVISION SUMMARY

- Updated document to corporate requirements