

TE CONNECTIVITY PART NO.	PREVIOUS PART NO.	PANEL SIZE
1059631-1	4557-5119-00	6.4 mm [.064 in.] Thick
1059632-1	4557-5119-02	
1059612-1	4557-3205-00	

Figure 1

1. INTRODUCTION

This instruction sheet contains the assembly procedures for the OSP Panel Feedthrough Connectors shown in Figure 1. These connectors are threaded installation type connectors that attach to the cable panel thickness listed in Figure 1. Figure 1 also contains the previous part numbers of these OSP Panel Feedthrough Connectors.

NOTE *Dimensions on this sheet are in millimeters [with inches in brackets], unless otherwise specified. Figures and illustrations are for reference only and are not drawn to scale.*

The table in Figure 2 references the torque tool required to apply these connector. The table includes tool description, TE part number, and the corresponding previous part number.

APPLICATION TOOLING		
TOOL DESCRIPTION	TE PART NO.	PREVIOUS PART NO.
Torque Tool	1059773-1	4598-5014-54

Figure 2

Reasons for revision can be found in Section 3, REVISION SUMMARY.

2. ASSEMBLY PROCEDURES

2.1. Preparing the Mounting Hole (Figure 3)

1. Drill a 1.68 +/- 0.025 mm [.066 +/- .001 in.] diameter pilot hole through the panel.
2. Insert a step reamer into the pilot hole and ream to the depth shown in Figure 3.

3. Tap .250-36 thread to the depth shown in Figure 3.

4. Plate per customer application recommended total. Plating is .00483 mm [.00019 in.].

NOTE *Plating is optional.*

5. Clean the panel in a suitable solvent.

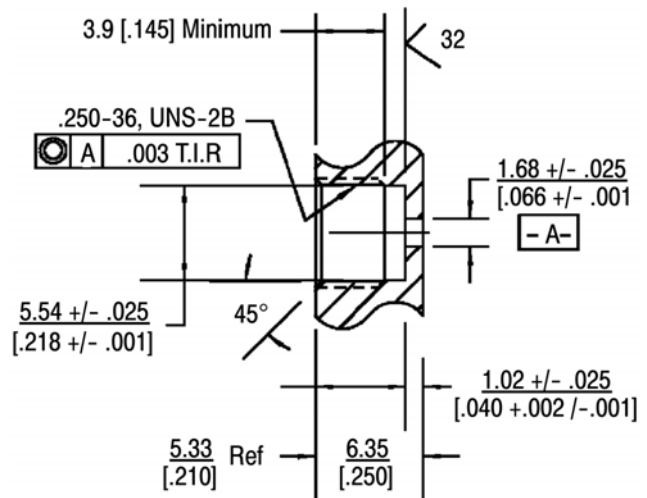


Figure 3

2.2. Installing the Connector Into the Panel

1. Assemble the metal gasket onto the connector.
2. Thread the connector into the mounting hole.

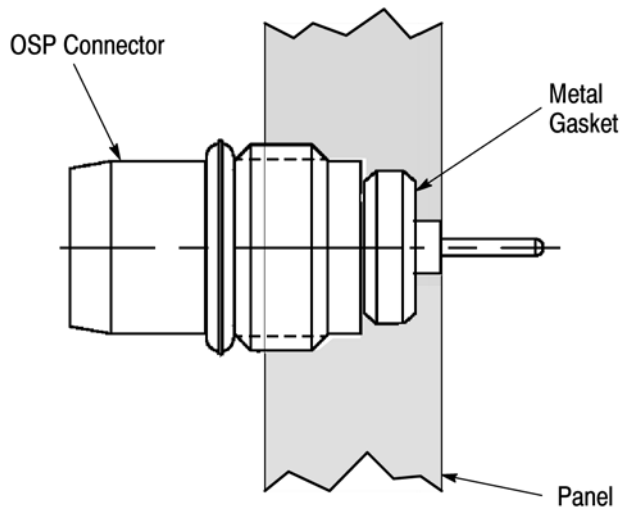


Figure 4

3. Using the torque tool (see Figure 2), tighten the connector to 2.03 N•m [18 in.-lbs].

4. This completes the installation of the connector. The finished connector should appear as shown in Figure 4.

3. REVISION SUMMARY

- New logo