

Figure 1

1. INTRODUCTION

Extraction Tool 91124-1 is designed for removing both male and female Type XII contacts from various connectors. Read these instructions thoroughly before extracting any contacts.



Dimensions are in metric units [with inches in brackets]. Illustrations are not drawn to scale.

2. DESCRIPTION

This tool features a plastic handle with two metal tool tips for releasing the contact locking latches (see Figure 1).

3. EXTRACTION PROCEDURES

The following procedures apply to both male and female contacts and to all connectors that accept these contacts. Refer to Figure 2 and proceed as follows:

1. Align tool tips with contact cavity offsets on mating face of connector.
2. Insert tips straight into cavity until they bottom.



The locking latches are now released.

3. Holding tool in position grasp wire and pull contact straight out BACK of connector.
4. Remove tool from cavity.

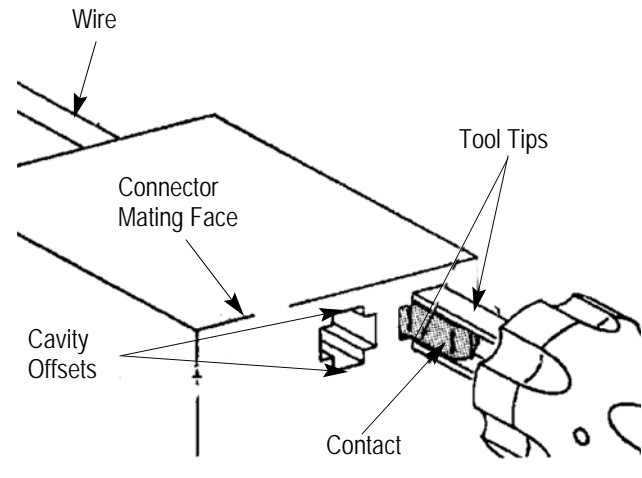


Figure 2

4. TOOL CERTIFICATION

Extraction Tool 91124-1 should be certified and must conform to the dimensions in Figure 3.

It is recommended that the tool be inspected immediately upon arrival in your factory to assure that the tool has not been damaged during shipping and handling, and at regularly scheduled intervals.

Additional tools can be purchased from:

CUSTOMER SERVICE (038-035)
TYCO ELECTRONICS CORPORATION
PO BOX 3608
HARRISBURG PA 17105-3608

5. REVISION SUMMARY

Since the previous release of this instruction sheet, the new company logo has been applied.

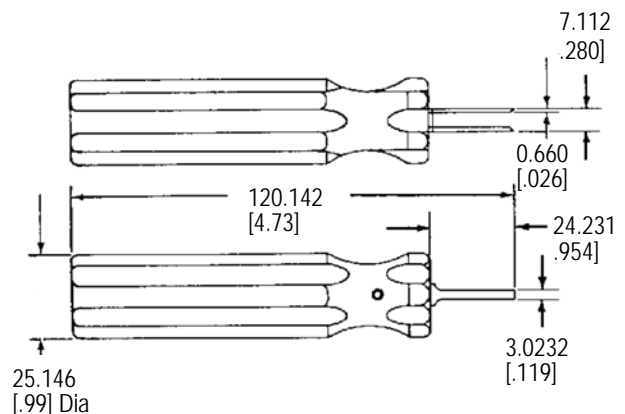


Figure 3