

Figure 1

This extraction tool is designed to remove a Combo Line contact from a Combo Line housing. Features of the extraction tool are shown in Figure 1.

1. USING THE TOOL



NOTE

If any small dents, burrs, or chips are evident on the sleeve of the tool, remove them using a fine abrasive.

1. Rotate the contact to be removed so that the seam is centered on one of the stabilizers of the housing cavity. This will facilitate removal by preventing the contact locking lances from being concealed behind the stabilizer. See Figure 2.
2. Push the wire of the contact so that the contact is forced toward the housing mating face. This will disengage the locking lances from the connector.
3. While maintaining inward pressure on the wire, align the slots of the tool sleeve with the housing cavity stabilizers. Push the tool straight into the cavity until the sleeve bottoms. The contact locking lances should be released.
4. Keep the sleeve firmly bottomed and depress the plunger. The contact will partially eject from the wire end of the housing.
5. Pull the contact from the wire end of the housing, then remove the tool from the cavity.

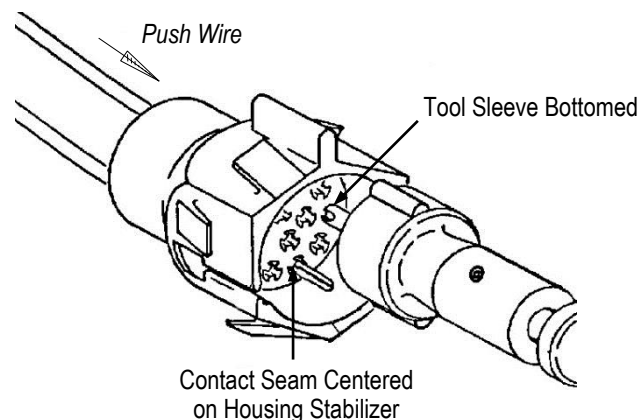


Figure 2

2. REVISION SUMMARY

Revisions to this instruction sheet include:

- Removed discontinued housing and contact part numbers and previous Sections 2 and 4