

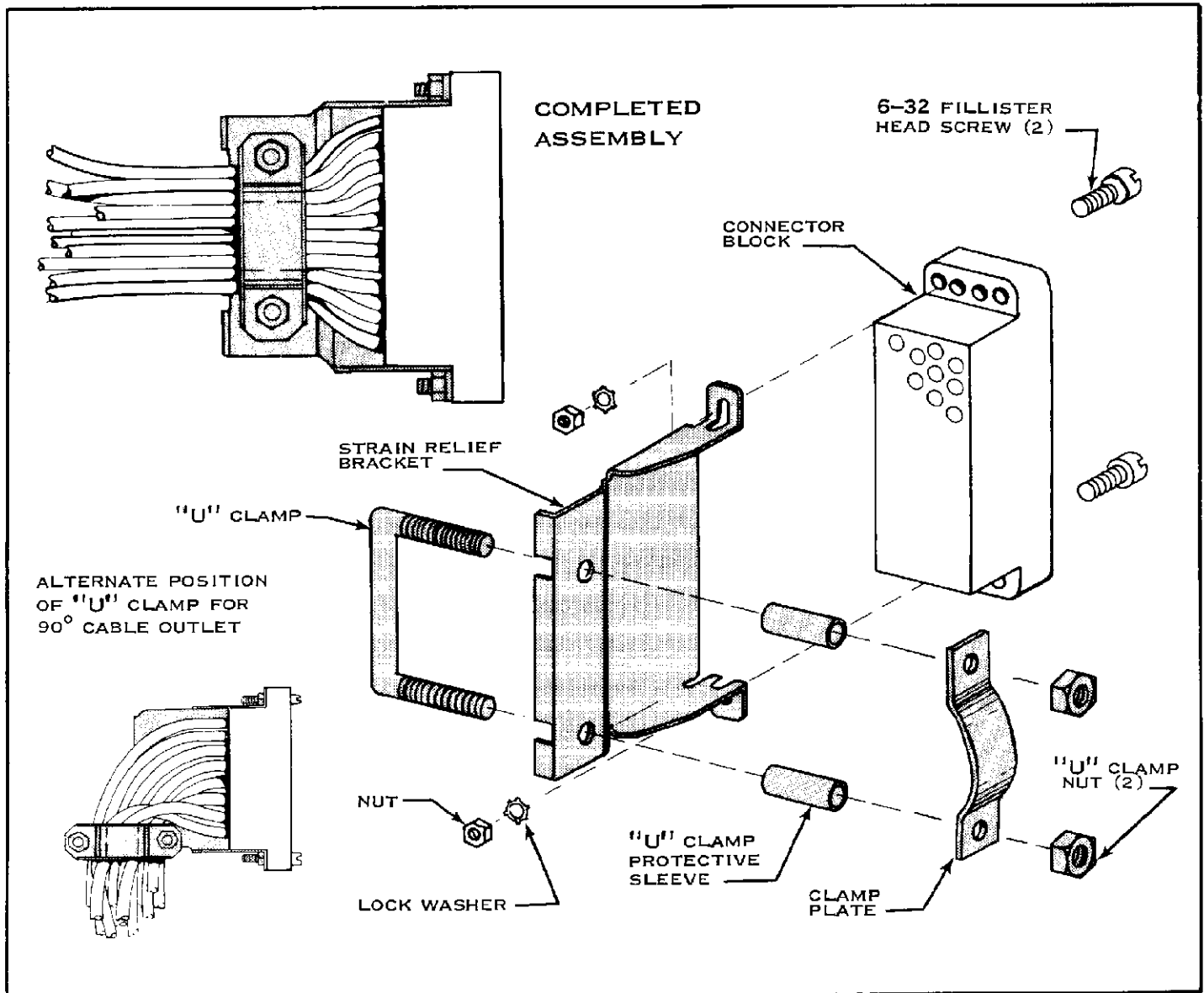
CONNECTOR PRODUCTS DIVISION

1. This Strain Relief Clamp (see Figure 1), when attached to a 75 Position Series "M" Connector, relieves strain on the Contacts caused by the weight of free-hanging Wires.

2. ASSEMBLY INSTRUCTIONS (SEE FIGURE 1)

- (a) Attach Strain Relief Bracket to Connector Block using:
 (1) Two #6-32 Screws with Nuts and Lockwashers.
 (2) A-MP Corner Guide Pins and/or Sockets. See AMP Instruction Sheet No. 7164 for selection of A-MP Guide Pins and/or Sockets.

- (b) Bundle Wires to pass thru "U"-Clamp.
 (c) Assemble "U"-Clamp, Protective Sleeves, Clamp Plate and "U"-Clamp Nuts to Strain Relief Bracket. Do not tighten Nuts.
 (d) Allow a little slack in Wires between "U"-Clamp and Connector Block.
 (e) Tighten "U"-Clamp Nuts.



© 1965 by AMP Incorporated. All international rights reserved. A-MP® products covered by U. S. and foreign patents and/or patents pending.

*Trademark of AMP Incorporated

FIG. 1