



A-MP<sup>®</sup> SHIELD & CABLE CLAMP  
FOR 104 POSITION  
CENTER FASTENER CONNECTOR

IS 7148	
RELEASED	5-15-64
REVISED	

CONNECTOR PRODUCTS DIVISION

1. Select proper Shield Assembly from Figure 1.
2. Attach left hand Shield Half to Connector Block (see Figure 2) using:

ASSEMBLY NUMBER	CABLE OUTLET
202169- □	45°
202395-□	90°

Fig. 1

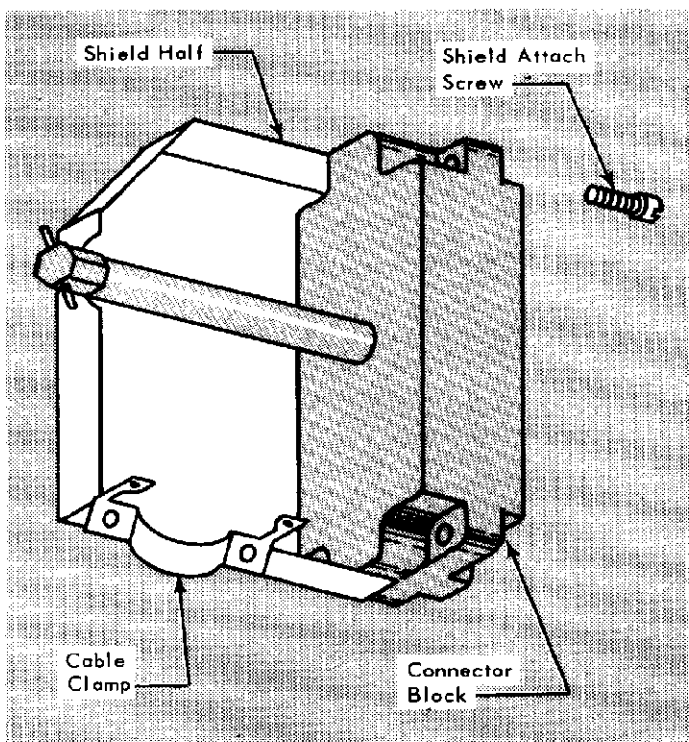


Fig. 2

- (a) Two 6-32 x 3/8 Shield Attach Screws.
- (b) One Long Guide Pin and one Shield Attach Screw.
- (c) Guide Pin(s) and/or Guide Socket(s).

NOTE: For use of A-MP Guide Pins and Sockets refer to AMP Instruction Sheet No. 7121.

3. Bundle Wire to fit thru Cable Clamp.

4. Attach right hand Shield Half to Connector Block according to instructions in Step 2.
5. Attach fixed Clamp Half to right hand Shield Half using two 4-40 x 1/4 Clamp Attach Screws. See Figure 3.
6. Assemble the two Clamp Halves using two 4-40 x 3/4 Clamp Screws. See Figure 3.

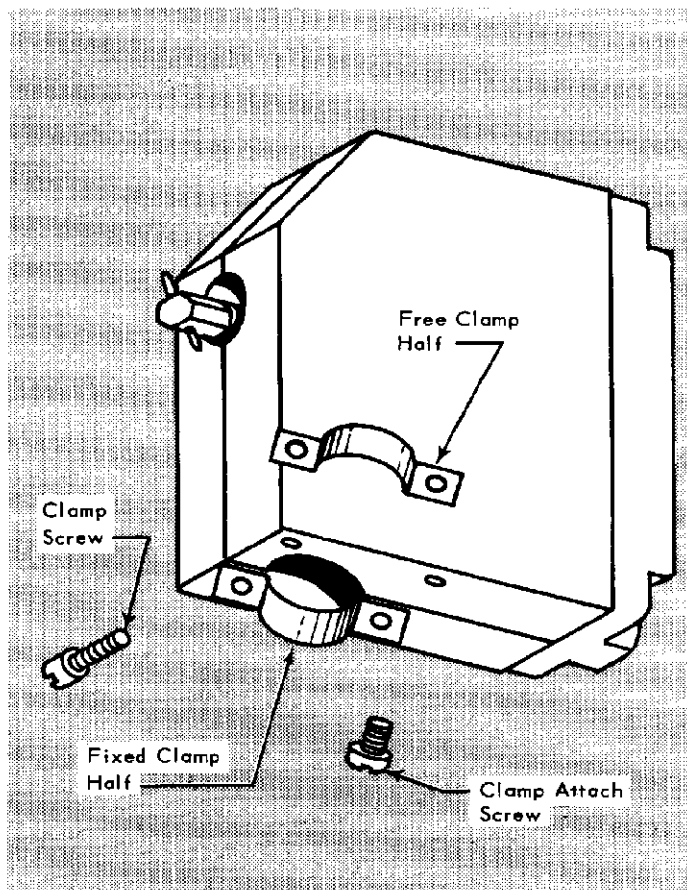


Fig. 3

7. See Figure 4 for completed 45° and 90° Shield Assemblies.

© Copyright 1964 by AMP Incorporated. All international rights reserved. A-MP<sup>®</sup> U. S. A. and foreign. A-MP<sup>®</sup> products covered by U. S. and foreign patents and/or patents pending.

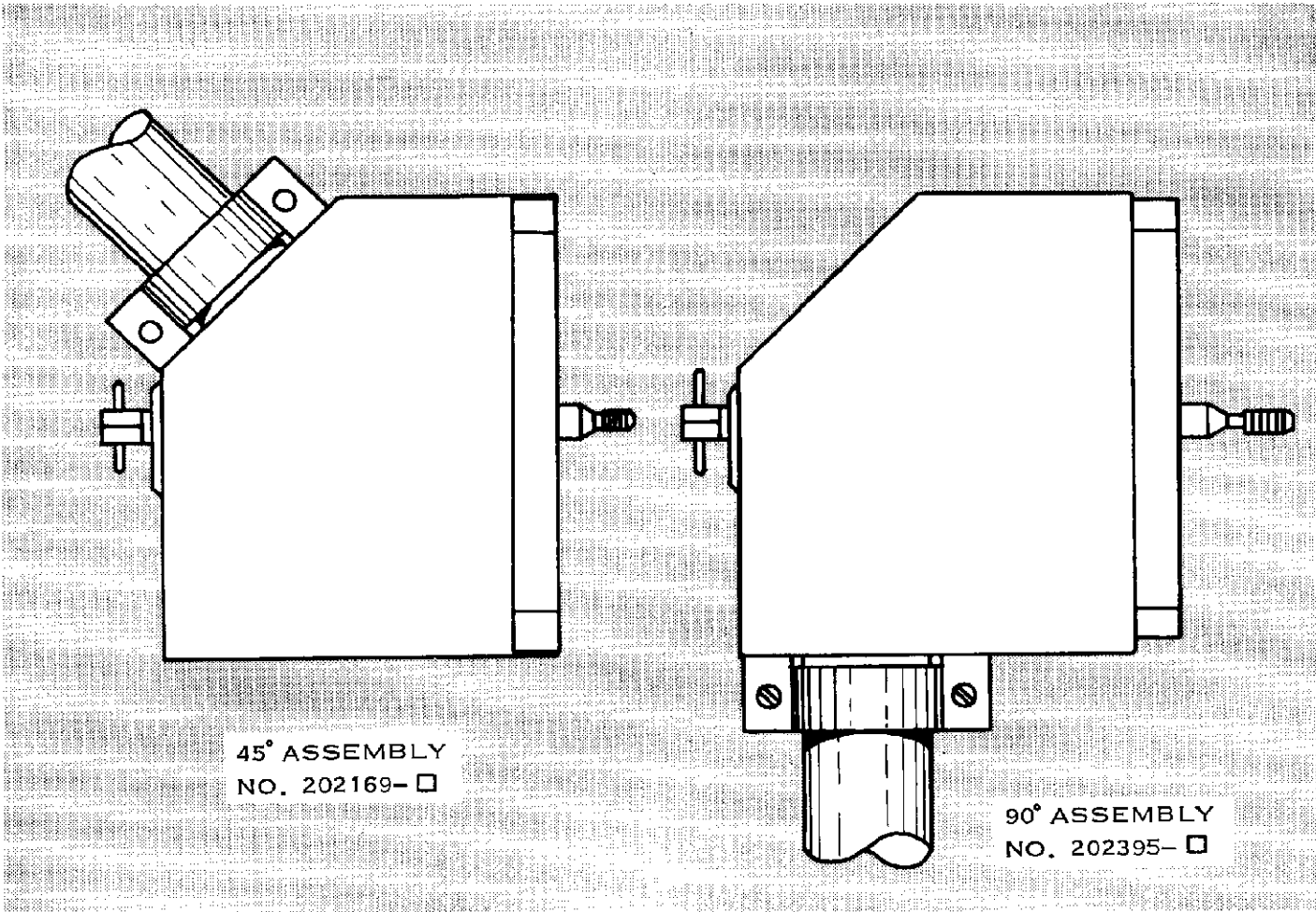


Fig. 4