

Figure 1

1. INTRODUCTION

This instruction sheet covers the installation procedure for AMP* BNC Series Commercial Twist-On Plug Connectors 414265-[] and Jack Connectors 222428-[]. Cable sizes and connector part numbers are available in AMP Catalog 82074. Read these instructions thoroughly before assembling any of the connectors.

NOTE

Dimensions are in millimeters [followed by inches in brackets]. Figures are for identification only and are not drawn to scale.

Reasons for reissue are provided in Section 4, REVISION SUMMARY.

2. DESCRIPTION (Figure 1)

These twist-on connectors are 50-ohm connectors designed for use with coaxial cable having solid center conductors. Plugs feature secure mating characteristics with the appropriate jacks and are designed for quick-connect and -disconnect applications. The connectors are intermateable per MIL-C-39012. These connectors are *not* recommended for use in applications where the cable frequently moves or flexes.

3. ASSEMBLY PROCEDURE

Determine cable type for your application; then select the appropriate connector (see applicable AMP customer drawing). Proceed as follows:

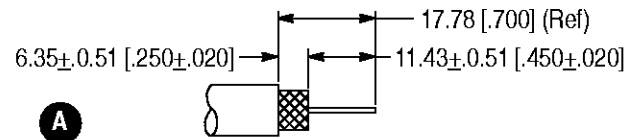
1. Strip the cable to the dimensions shown in Figure 2A.
2. Twist the cable braid *clockwise* around the dielectric (see Figure 2B) until at least 0.79 [.031] of dielectric is exposed and the braid is positioned flat on the dielectric.

CAUTION

Make sure that the cable braid does not touch the cable center conductor; otherwise, a short circuit will occur.

3. Refer to Figure 2C, and gently insert the cable into the connector as far as it will go.
4. While pushing firmly on the cable, screw the connector onto the cable jacket until it stops. See Figure 2D. This completes the installation of the cable onto the connector.

Stripping Dimensions for Plug



Stripping Dimensions for Jack

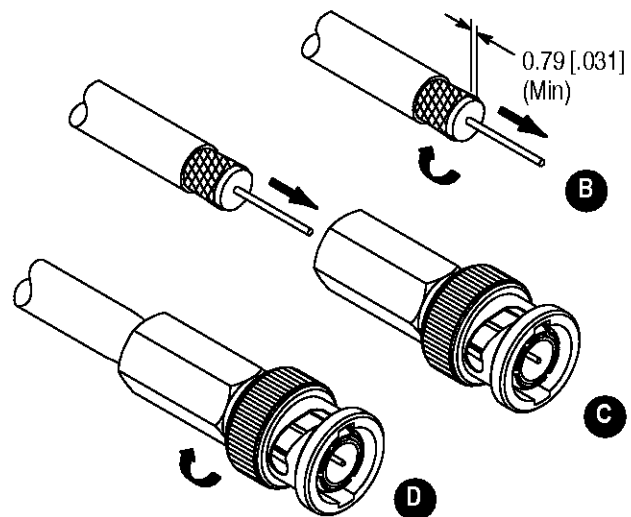
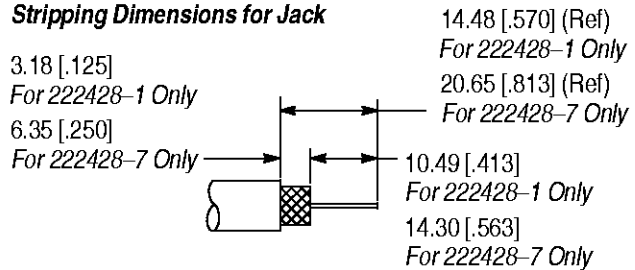


Figure 2

4. REVISION SUMMARY

Revisions to this instruction sheet per EC 0990-0650-97 include:

- Modified dimensions and part numbers in Figure 2.