

Figure 1

1. INTRODUCTION

Slide latch kits, locking post kits, and slide latch clip kits are designed to be assembled onto AMPLIMITE* Subminiature D connectors and connectors with cable clamp housings. The kits secure mating connectors in panel-mounting or free-hanging applications. Read these instructions carefully before starting assembly.

NOTE



All numerical values in this instruction sheet are in metric units [with U.S. customary units in brackets]. Dimensions are in millimeters [and inches]. Figures are not drawn to scale.

Reasons for reissue of this instruction sheet are provided in Section 5, REVISION SUMMARY.

2. DESCRIPTION (See Figure 1)

2.1. Slide Latch Kits

Each slide latch kit contains a slide latch, two lockwashers, two screws, two hex nuts, and two flat washers (if required). There are three styles of slide latch kits (Style I, Style II, and Style III) which differ from one another in the components, screw thread size, and application of the connector.

2.2. Slide Latch Clip Kits

The slide latch clip kit contains two identical clip component assemblies. Each assembly consists of one clip, one screw, one flat washer, one lock washer, and one nut.

2.3. Locking Post Kits

Each locking post kit contains two locking posts, two hex nuts, two lockwashers, and two flat washers (if required). There are two types of locking post kits (Type I and Type II) which differ from one another in the components, screw thread size and head thickness, and application of the connector.

NOTE



For specific component dimensioning or related product information, refer to Catalog 82068. For part numbers not referenced in the catalog, contact PRODUCT INFORMATION at the number at the bottom of this page.

3. APPLICATION AND ASSEMBLY

Both types of locking post kits can be used with any style of the slide latch kits and any style of the slide latch kit can be used with both types of the locking post kit. The kit selection depends on the application: either free-hanging, front panel mounting, or rear panel mounting. For panel-mounting applications, it is recommended that the locking post kit be assembled on the panel-mounted connector.

3.1. Slide Latch Kits (See Figure 2)

Style I kits are used with cable clamp housings that do not extend beyond the front flange of the connector or on connectors without cable clamp housings.

Style II kits are used on any cable clamp housings with a mounting ear configuration. The cable clamp housing extends beyond the front of the connector flange.

Style III kits are used on connectors without cable clamp housing or with cable clamp housings without a

mounting ear configuration. The cable clamp housing extends beyond the front of the connector flange.

To assemble these kits, proceed as follows:

1. Secure one screw onto the connector flange with the flat washer (if supplied), lockwasher and hex nut. Tighten the screw to a torque between 0.11 and 0.22 N-m [1 and 2 in.-lb]. See Figure 3, Detail A.
2. Slide the front side of the slide latch over the installed screw to hold the slide latch in position. See Figure 3, Detail B.

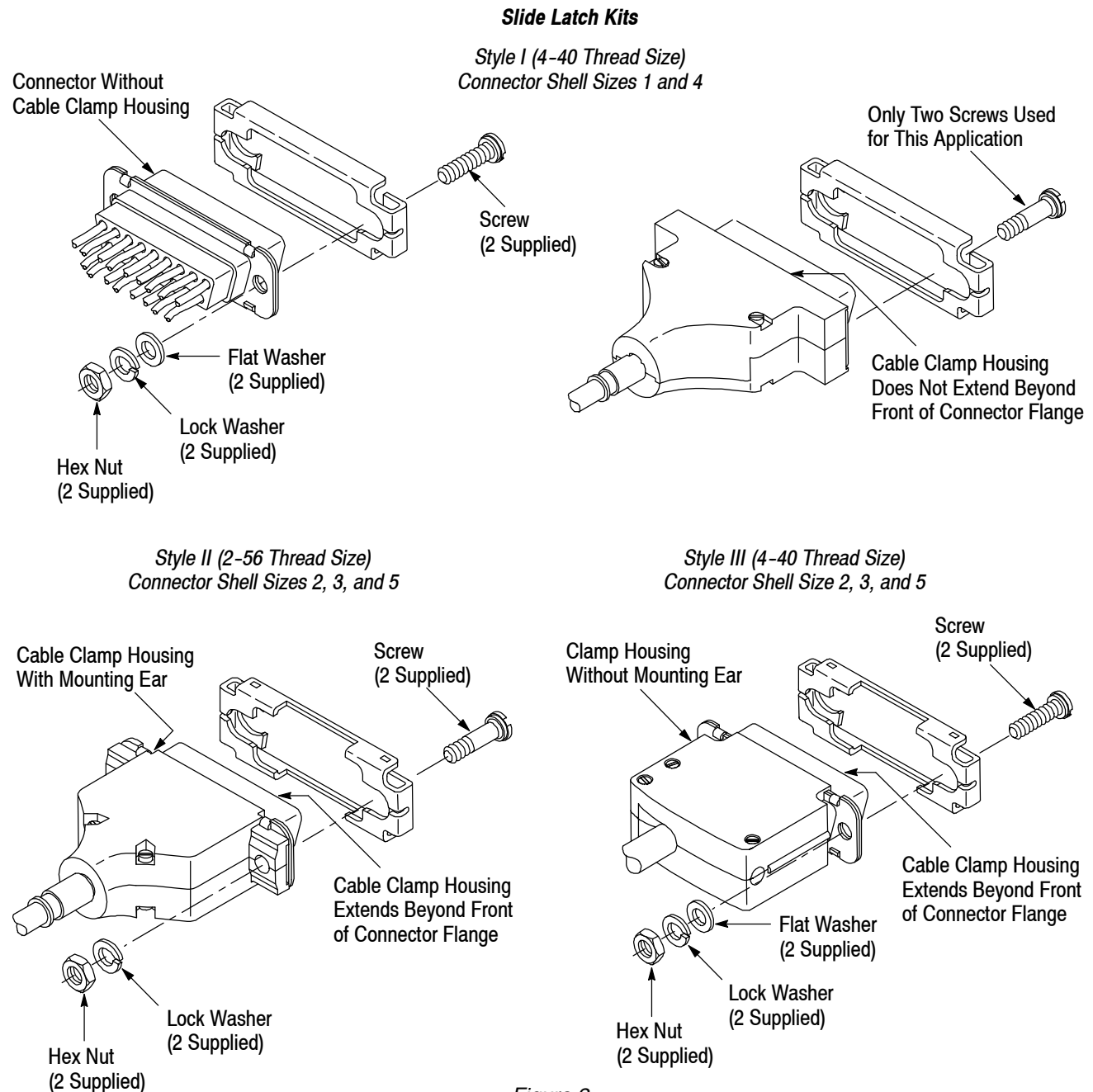


Figure 2

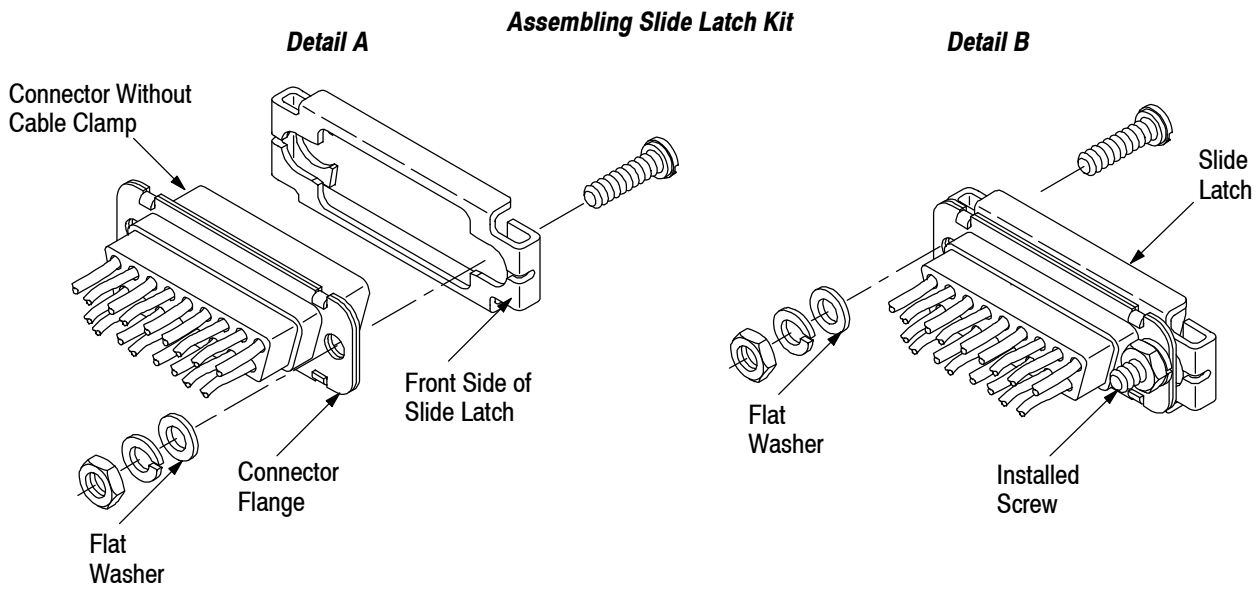


Figure 3

3. Thread the remaining screw onto the other side of the connector flange with the hardware and tighten to a torque between 0.11 and 0.22 N•m [1 and 2 in.-lb].
4. Push the slide latch from side-to-side to ensure proper movement.

3.2. Slide Latch Clip Kits (See Figure 4)

Install both clip components onto the connector half as follows:

1. Orient the clip on the front of the connector flange with the rolled edge against the side of the flange.
2. Insert the screw through the clip and flange.
3. Secure the screw with the flat washer, lock washer, and nut.

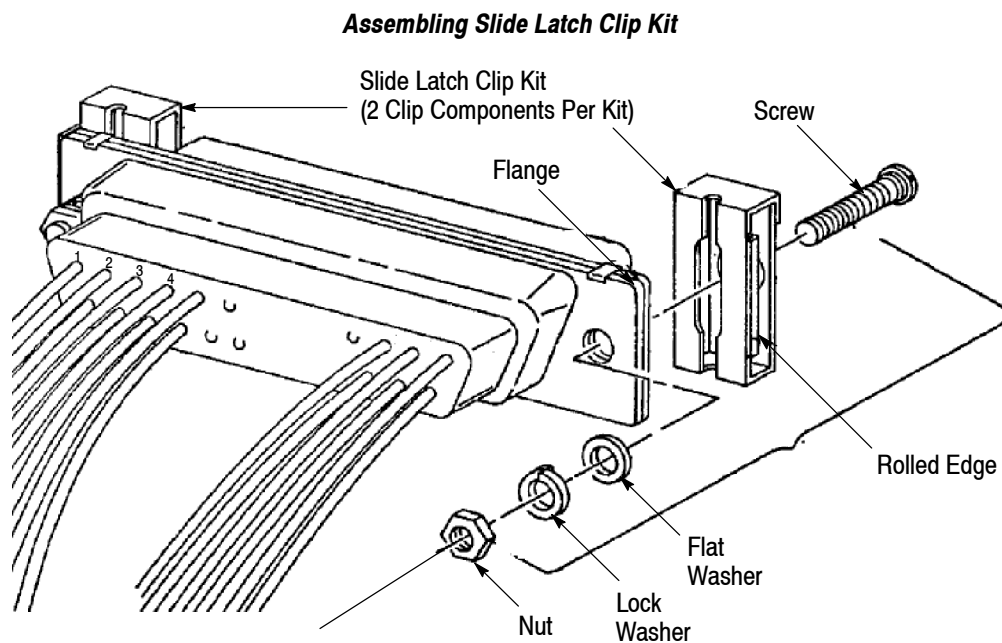


Figure 4

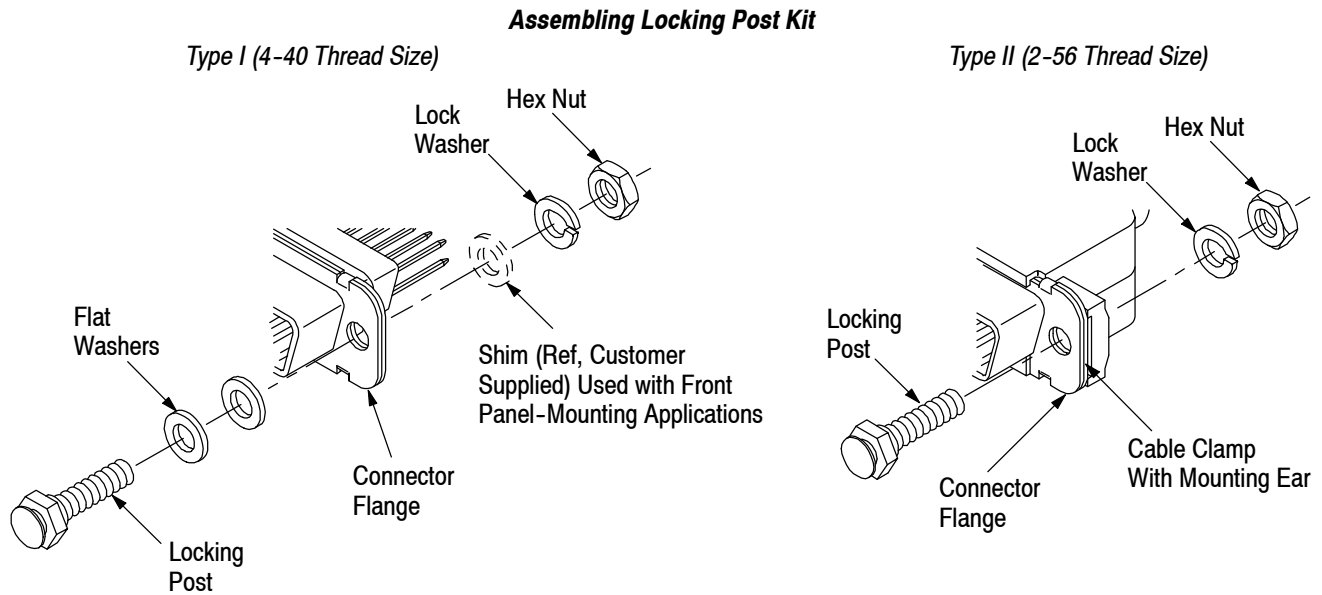


Figure 5

3.3. Locking Post Kits (See Figure 5)

A. Type I

Type I kits are used with a cable clamp housing without mounting ears.

Free-Hanging and Front Panel-Mounting Applications

1. Install two flat washers onto the locking post and then insert the post into the front of the connector mounting flange. If applicable, insert it through the panel.
2. Secure the locking post with the lock washer and nut.

NOTE For front panel mounting, it is recommended that a shim be used between the connector flange and panel to prevent bowing of the flange. Shims are not supplied with kit. See Figure 5.

Rear Panel-Mounting Applications

1. Determine the thickness of the panel and install the flat washers onto the locking post accordingly: use two flat washers for panels less than 0.76 mm [.030 in.] thick; use one flat washer for panels 0.76–1.52 mm [.030–.060 in.] thick; and do not use any flat washers for panels with a maximum thickness of 1.52 mm [.060 in.].

NOTE Use flat washers as specified to ensure full mating of connectors when they are latched.

2. Insert the locking post through the panel and through the connector flange.

3. Secure the locking post with the lock washer and nut.

4. Discard unused flat washers.

B. Type II

Type II kits are used with a cable clamp housing with mounting ears for free-hanging applications.

1. Insert the post into the front of the connector flange.
2. Secure the locking post with the lock washer and nut.

4. ENGAGING AND DISENGAGING CONNECTORS

4.1. With Slide Latches (See Figure 6)

Engage the connectors with slide latches as follows:

1. Position the slide latch so that the large latch opening is directly over a slide latch screw.
2. Align the connector mating faces and plug the two connectors together.
3. Move slide latch from side-to-side to lock the connectors together.

Disengage the connectors with slide latches as follows:

1. Move the slide latch from side-to-side until it snaps into the unlocking position.
2. Grasp the connectors and pull straight apart.

Engaging Connectors with Slide Latches

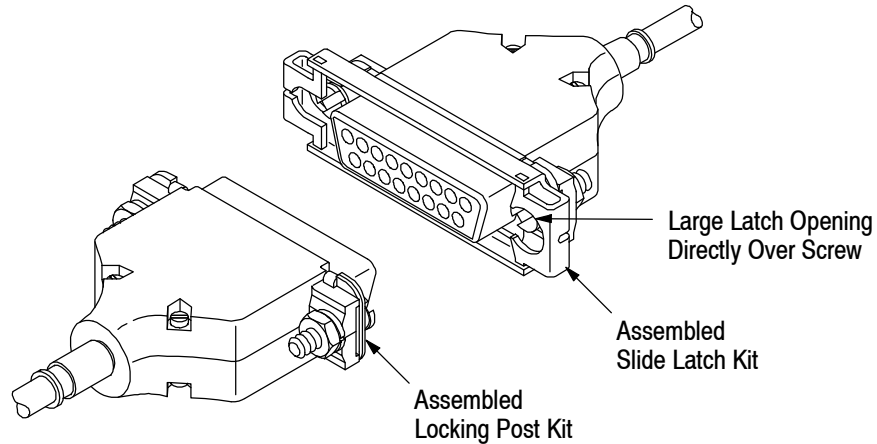


Figure 6

4.2. With Slide Latch Clips (See Figure 7)

Engage the connectors with slide latch clips as follows:

1. Slide each clip up or down so that the entire screw head is visible in the large post slot.

NOTE *The word "OPEN" will extend over the edge of the flanges. One clip will appear to be upside-down.*

2. Align the connector mating faces and engage the halves, making sure the posts enter the large post slots in the clips. Slide the clips in opposite directions to latch the connector halves together.

NOTE *For proper alignment, the "tongues" of the slide latch clip must cover the edge of the connector flange. See Figure 7.*

Disengage the connectors with slide latch clips as follows:

1. Slide the clips in opposite directions.
2. Grasp the connector halves and pull them straight apart.

5. REVISION SUMMARY

Revisions to this instruction sheet include:

- Updated document to corporate requirements
- New logo

Engaging Connectors with Slide Latch Clips

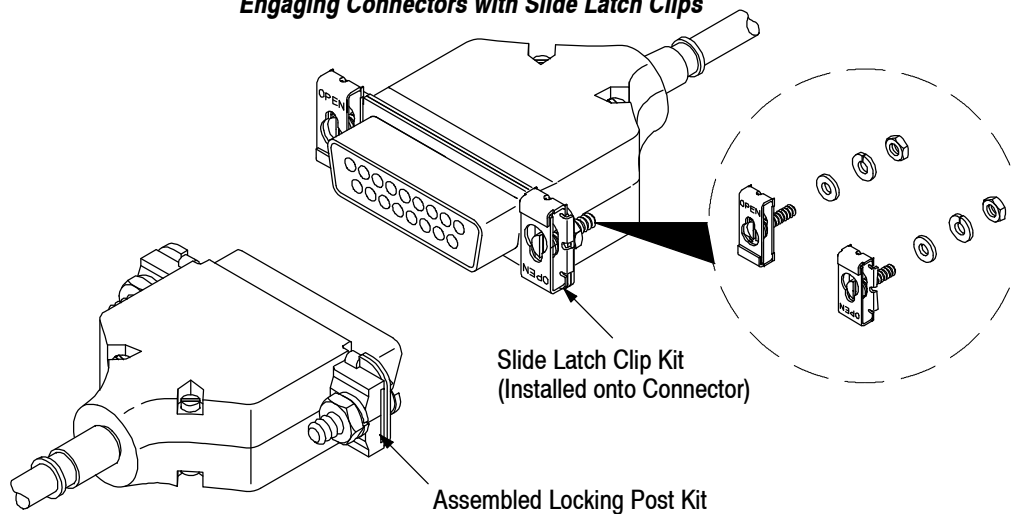


Figure 7