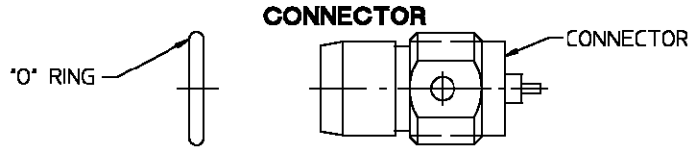


CONNECTOR TYPE

OSP PANEL FEEDTHROUGH
PLUG RECEPTACLE -
THREADED INSTALLATION

TOOLS REQUIRED:

TORQUE TOOL: 4598-5014-54
STEP REAMER DRILL: 2098-0442-54
BOTTOMING TAP: 2098-5618-54

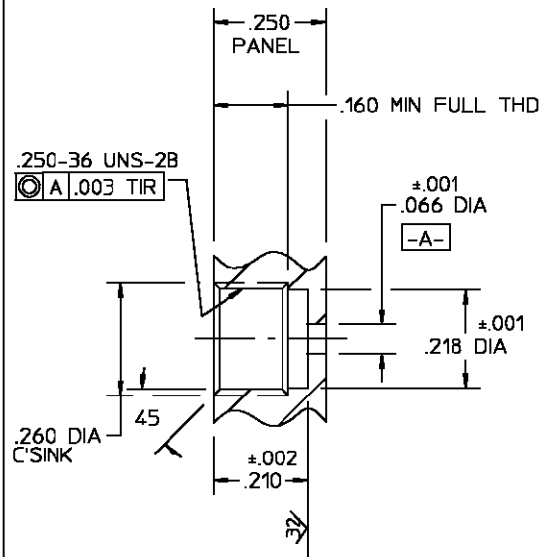


ASSEMBLY OPERATIONS

1.0 MOUNTING HOLE PREPARATION

- 1.1 DRILL .066±.001 DIAMETER PILOT HOLE THROUGH PANEL.
- 1.2 INSERT STEP REAMER INTO PILOT HOLE AND REAM TO DEPTH SHOWN.
- 1.3 TAP .250-36 THREAD TO DEPTH SHOWN.
- 1.4* PLATE PER CUSTOMER APPLICATION RECOMMENDED MAXIMUM TOTAL PLATING IS .00019.
- 1.5 CLEAN IN SOLVENT.

* PLATING OPTIONAL



2.0 INSTALLATION OF CONNECTOR INTO PANEL

- 2.1 THREAD CONNECTOR INTO MOUNTING HOLE.
- 2.2 USING TORQUE TOOL TORQUE CONNECTOR TO 18 in-lbs.
- 2.3 THIS COMPLETES INSTALLATION OF THE CONNECTOR.

