

Figure 1

### 1. INTRODUCTION

This instruction sheet covers installation and assembly procedures for AMP\* FLEX-MODE 110Connect 4-Port with printed circuit (pc) board assemblies.

**NOTE** Dimensions on this sheet are in metric units [with U.S. customary units in brackets], and Figures are not drawn to scale

### 2. DESCRIPTION (Figure 1)

The FLEX-MODE module consists of a faceplate, two spacer tubes, a set of identification icons for data or telephone receptacles, and a printed circuit board assembly that features 110Connect connectors and 4-pair modular jacks. The modules can be panel mounted. Panel cutout requirements are shown in Figure 1.

### 3. INSTALLATION PROCEDURES

1. Remove panel knockouts from modular furniture.
2. Pull cables through panel opening, as shown in Figure 2.

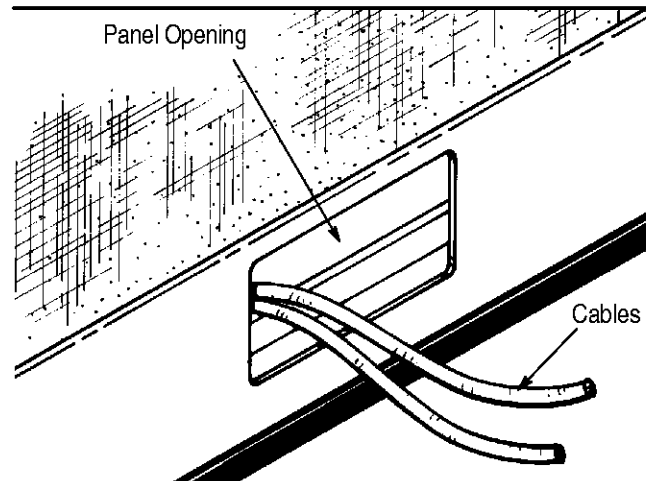


Figure 2

3. Terminate cables to the 110Connect connector blocks according to color code on wiring label or color markings on top of connector blocks as shown in Figure 3.

**NOTE** Wiring practices must comply with TIA/EIA-568-A Specification at all times.

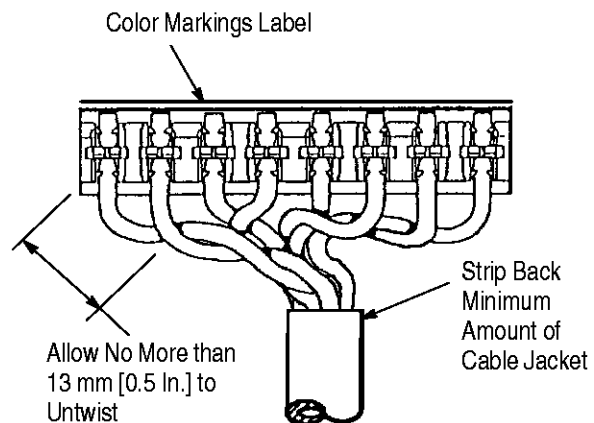


Figure 3 (cont'd)

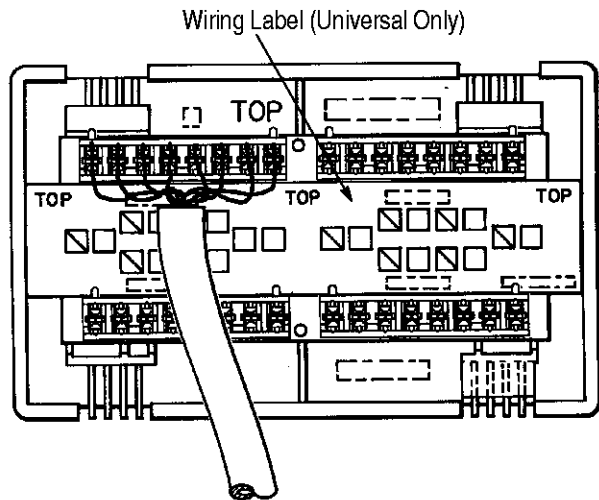


Figure 3 (end)

4. Install assembled faceplate as shown in Figure 4. If the faceplate assembly is not secure in the panel opening, use supplied spacer tubes to firmly secure faceplate.

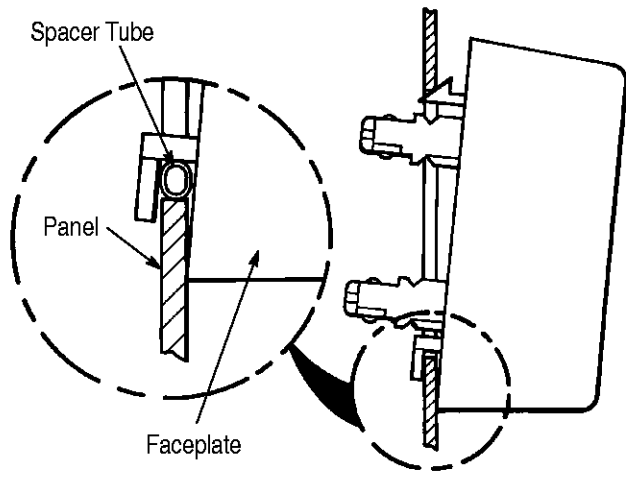


Figure 4

5. Insert icon into the appropriate slot above the 110Connect jacks. See Figure 5.

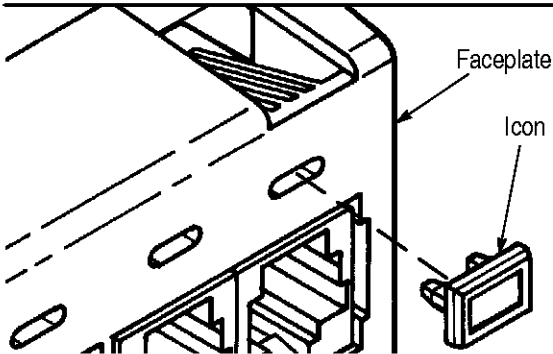


Figure 5

**NOTE**

For installation of FLEX-MODE modules into modular furniture manufactured by Herman Miller, Westinghouse, and Knoll, special adapters, back-up plates, extenders, and accessory clips may be needed. For further information call AMP FAX/PRODUCT INFO 1-800-522-6752.

**NOTE**

If the mounting depth of the modular furniture is limited, a FLEX-MODE extender, like the one shown in Figure 6, can be used to increase depth.

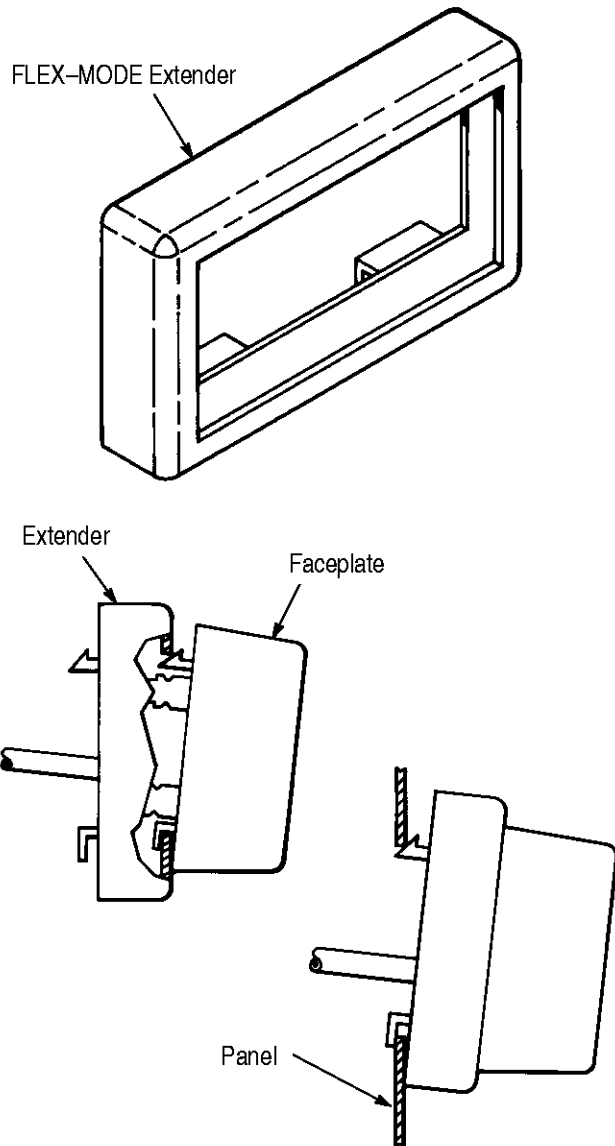


Figure 6

**4. REVISION SUMMARY**

Per EC 0990-0340-99

- Initial release of instruction sheet