

PART NUMBER	HOUSING COLOR	CONTACT PLATING
382575-2	Black	.000381 [.000015] Gold●
382575-3	Black	.00076 [.000030] Gold●

● In contact area only.

Figure 1

1. INTRODUCTION

This instruction sheet covers installation procedures for the AMP* 2mm Mini-Shunt Connectors listed in Figure 1. These connectors are used for mating, commoning, or shorting two 0.5-mm [.020-in.] -square posts on 2.0-mm [.079-in.] centerlines.

NOTE

Dimensions on this sheet are in metric units [with U.S. customary equivalents in brackets].

Reasons for reissue are provided in Section 5, REVISION SUMMARY.

2. DESCRIPTION

Each shunt connector consists of a glass-filled polyester housing pre-loaded with receptacle contacts of beryllium copper material.

3. INSTALLING CONNECTORS

Determine which posts are to be commoned. Fingers or tweezers may be used. Align connector over posts and *push connector straight down onto posts until bottomed.*

CAUTION

Care should be taken when using tweezers that excessive force is not applied to sides of connector, which could cause shunt damage.

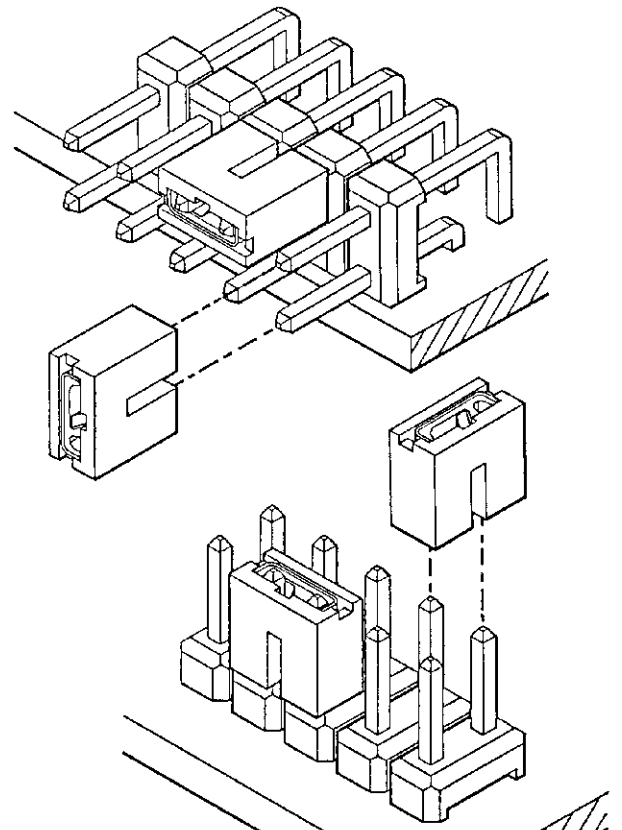


Figure 2

4. REMOVING CONNECTORS

Fingers or tweezers may be used to *pull straight up on connector.*

5. REVISION SUMMARY

Revisions to this document include:

Per EC 0990-0620-98

- Removed obsolete part numbers from Figure 1