

SHUNT CONNECTORS	
PART NUMBER●	CENTERLINE SPACING
390102	3.81 X 5.08 [.150 X .200]
382909	2.54 X 5.08 [.100 X .200]

● Refer to the customer drawing for the number of positions of the shunt connector

Figure 1

### 1. INTRODUCTION

This instruction sheet covers the installation procedures for the AMP\* Multiposition Shunt Connectors listed in Figure 1. These connectors are used for mating, commoning, or shorting two 0.64-mm [.025-in.] square or round posts 5.08-mm [.200-in.] contact centerline spacing.

#### NOTE

All dimensions are in millimeters [with inches in brackets].

Reasons for reissue are provided in Section 5, REVISION SUMMARY.

### 2. DESCRIPTION

Each shunt connector consists of a glass-filled polyester housing pre-loaded with receptacle contacts of copper alloy material.

### 3. INSTALLING SHUNTS (Figure 2)

Determine which posts are to be commoned. Fingers or needle-nose pliers may be used. Align connector over posts and push connector straight down onto posts until bottomed.

#### CAUTION

Care should be taken when using pliers that excessive force is not applied to sides of connector, which could cause shunt housing or contact damage.

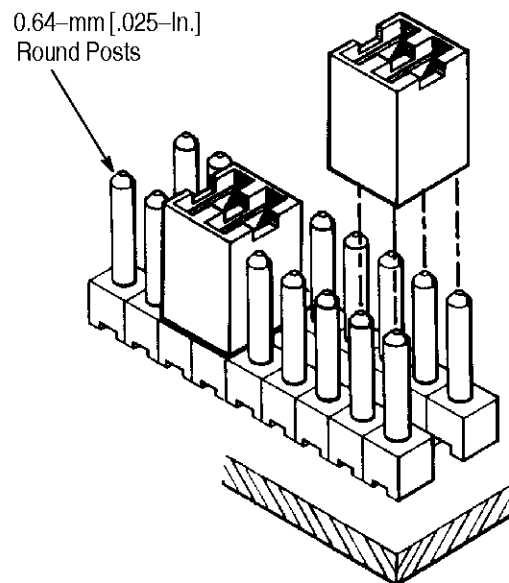


Figure 2

### 4. REMOVING SHUNTS

Fingers or needle-nose pliers may be used to pull straight up on connector.

### 5. REVISION SUMMARY

Revisions to this document include:

Per EC 0990-0621-98:

- Removed obsolete part numbers from Figure 1
- Added part number 390102 to table in Figure 1
- Added centerline spacing dimensions for part number 390102
- Revised dimensions in Section 1