

1. INTRODUCTION

This instruction sheet provides termination requirements for the NECTOR S Bus Bar Connector. Read this document thoroughly before starting this process. For additional application information, refer to Application Specification [114-20131](#).

2. TERMINATION REQUIREMENTS

2.1. Cable Termination to NECTOR S Bus Bar Connectors

**CAUTION**

The cable carrier must always be gently pried off. Do NOT push the wire to be terminated through the opening of the connector body and cable carrier in the pre-staged position, otherwise damage may occur.

Two small screwdrivers can be used to gently pry the locking tabs of the cable carrier away to remove the cable carrier from the housing body. Care must be taken to avoid damaging the tabs on the cable carrier. See Figure 1.

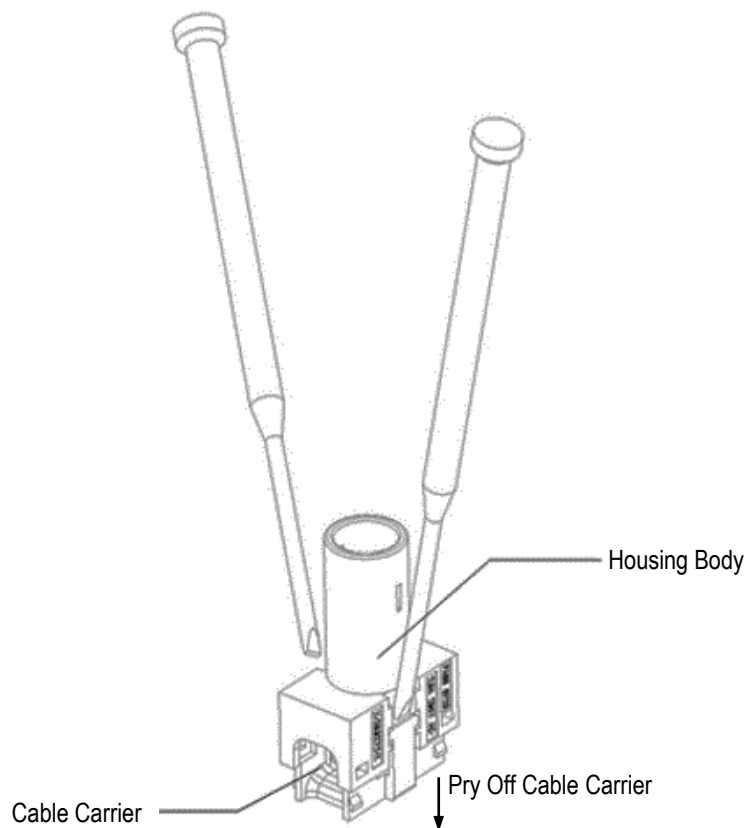


Figure 1

2.2. Positioning the Cable

Lay the cable to be tapped into the channel of the cable carrier.

**CAUTION**

Make sure that the cable is resting FLAT inside the channel to ensure the termination is successful See Figure 2.

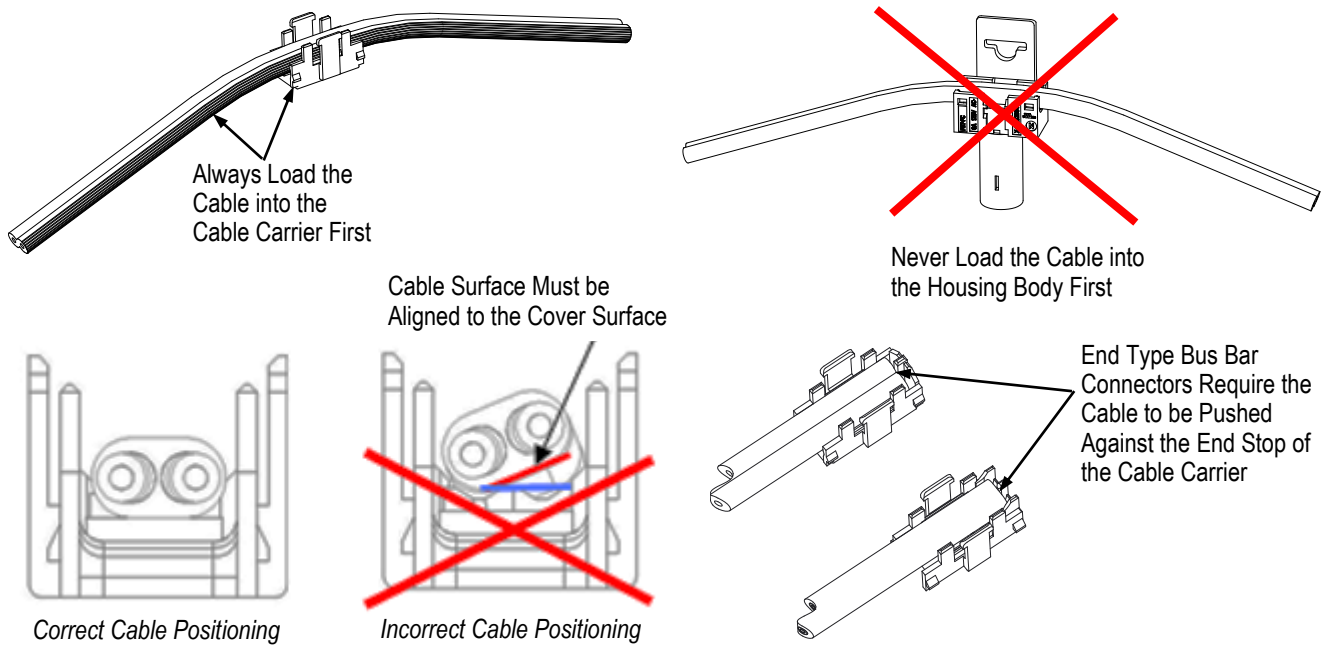


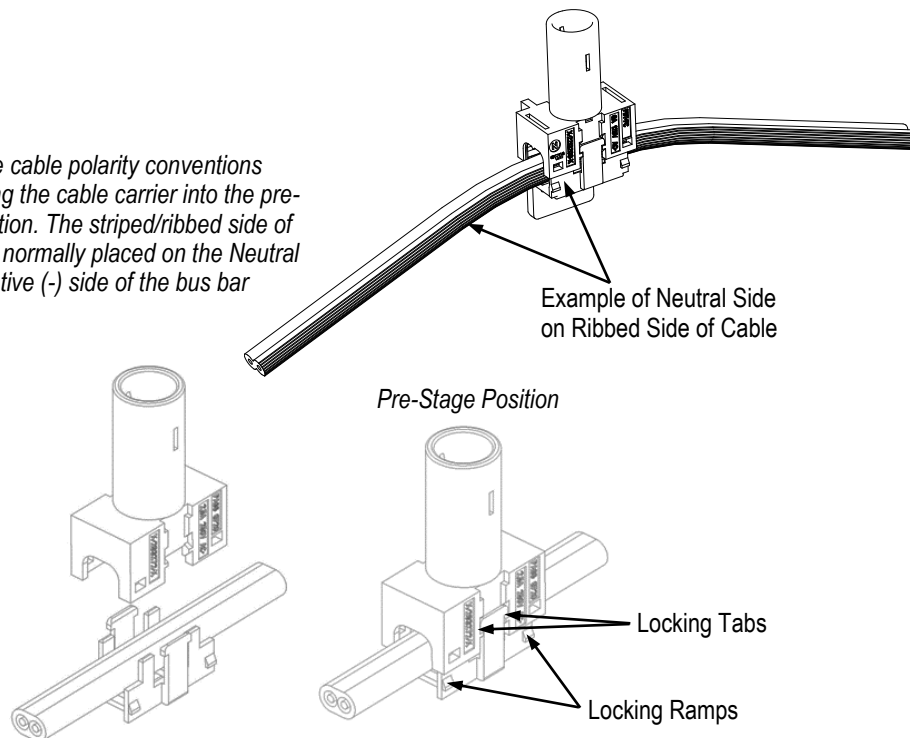
Figure 2

2.3. Housing Body

Install the housing body onto the cable carrier with the cable between the two parts until the locking tabs on the cable carrier engage with the locking ramp features on the housing body in the pre-stage position. See Figure 3.

CAUTION

Always note cable polarity conventions when placing the cable carrier into the pre-staged position. The striped/ribbed side of the cable is normally placed on the Neutral (N) or Negative (-) side of the bus bar connector.



NOTE

Keep the cable flat in the cable carrier during this step.

Figure 3

2.4. Connector Termination



NOTE

Pre-form the cable to fit into the cable support fixture while ensuring the cable remains flat in the cable carrier.

The cable to be terminated must be routed through the support features in the hand tool to ensure a good termination. Then, place the pre-staged connector into the TE hand tool (p/n 8-528441-7) and squeeze the handles fully to terminate the connector onto the cable. The handle on the tool must be fully depressed to release and remove the terminated connector assembly. See Figure 4.

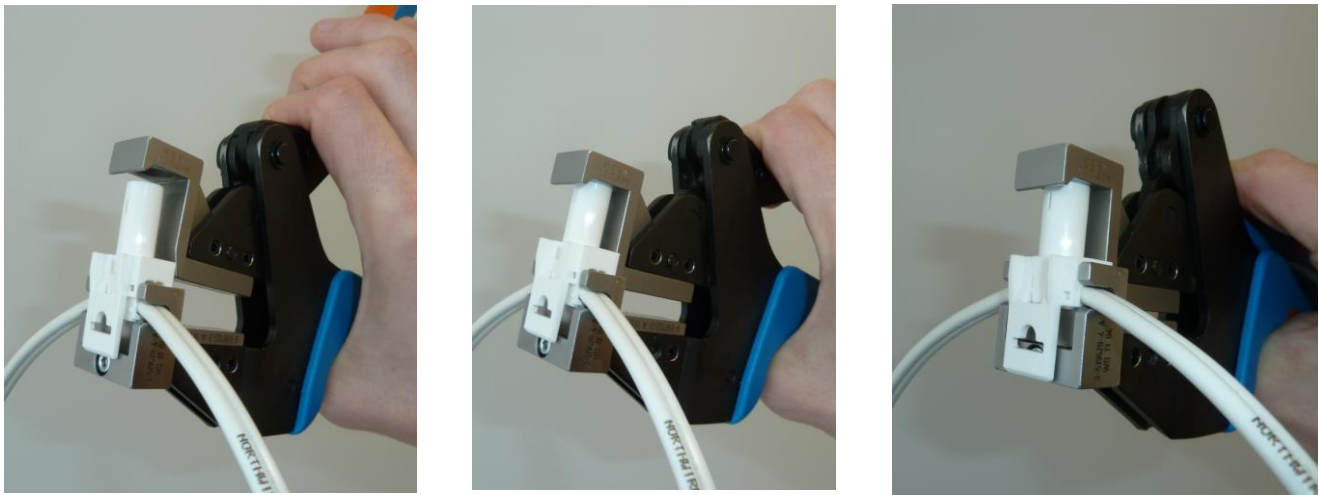


Figure 4



CAUTION

Terminating the NECTOR S Bus Bar Connector with tooling other than the recommended TE hand tool can result in improperly terminated connectors. Additional details on the hand tool are available in Instruction Sheet 411-18493. If the TE hand tool is not used, the termination must be done using a tool with a parallel type action (an arbor press for example). When a non-TE tool is used to terminate this product, it is important to hold the cable flat in the cable carrier, while terminating. After termination, the latching features must be inspected to ensure that all latches on both sides of the bus bar connector are fully seated. This product cannot be properly terminated using standard single pivot type hand pliers. See Figure 5.

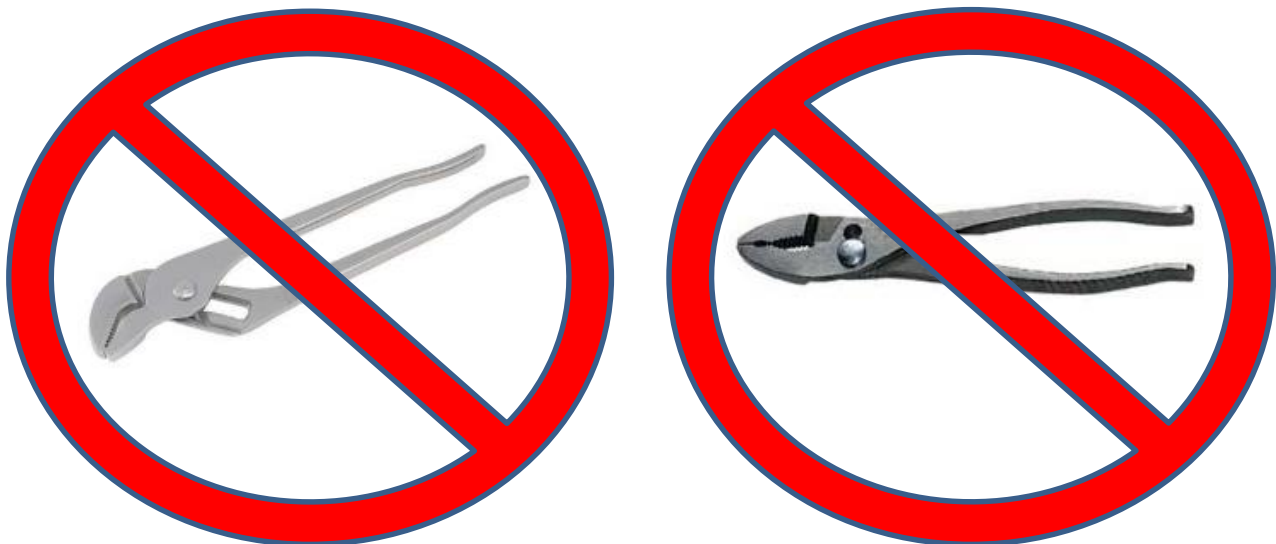
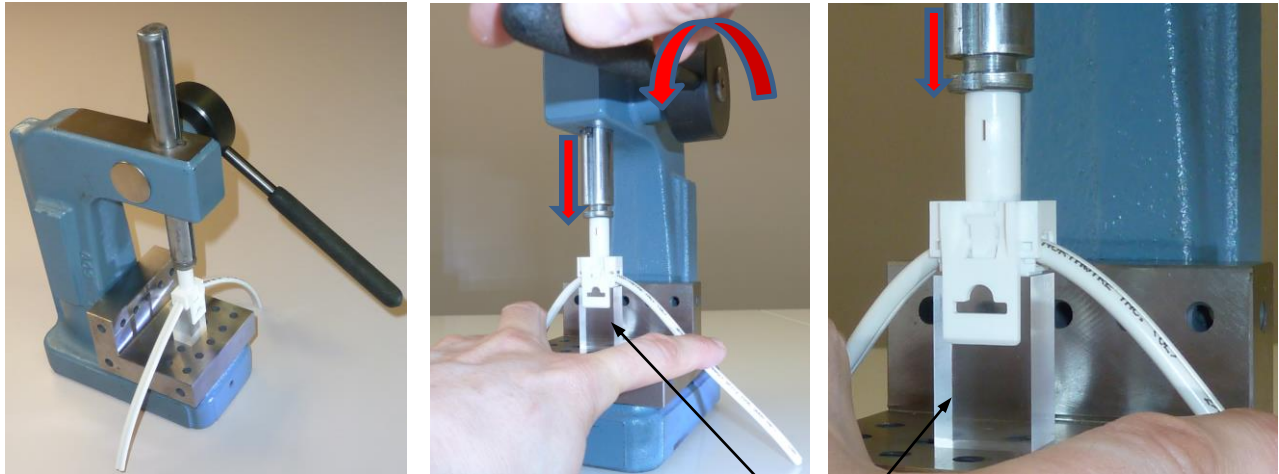


Figure 5 (cont'd)

Arbor Press Termination



20-25 mm [.750-1.00 in.]
Wide Support Block Used
to Form Cable so it is
Held in the Cable Carrier
During Termination

Figure 5 (end)

2.5. Termination Inspection

Inspect the terminated connector to ensure all of the latch features on the connector housing body and cable carrier are fully seated. Verify the cable is flat in the termination area. A terminated connector assembly is not designed to be repaired. If the connector features are not properly seated or damaged, the connector must be removed and replaced with a newly terminated connector. See Figure 6.

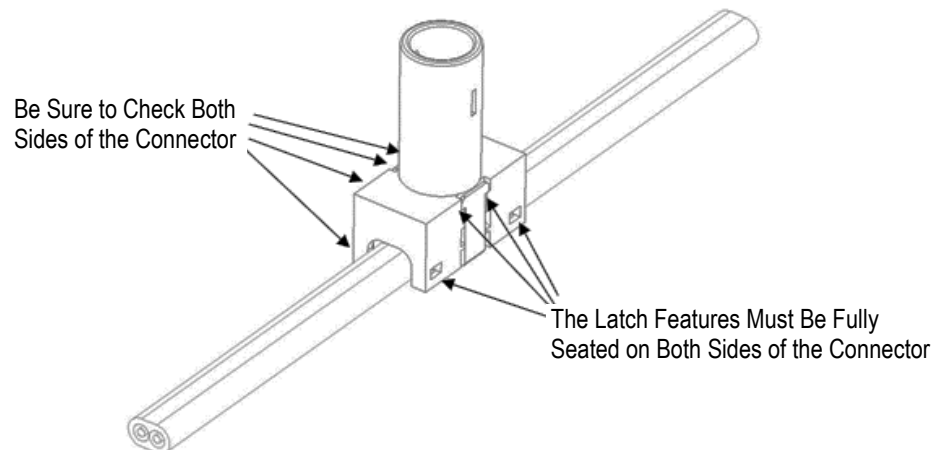


Figure 6

3. REVISION SUMMARY

- Initial release of document