

FEMALE CONNECTOR Part Number and Description	WIRE DRESS COVER Part Number and Description	TERMINAL		
		Part Number and Description	Wire Diameter	Application Specification
2236995-[] 90-Way Vehicle	2282189-1 Right-Angle Exit	1456968-[] Generation Y Signal	0.35-0.50 mm ²	114-13183
2236994-[] 90-Way Transmission	2288250-1 Vertical Exit	1924879-[] GET TS Power	0.50 mm ²	114-13236
2236993-[] 126-Way Engine	2282186-1 Right-Angle Exit	1924782-[] GET TS Power	1.0 mm ²	114-13236

Figure 1

Each female connector requires terminals and a wire dress cover (both available separately) for assembly. Part numbers and descriptions are given in Figure 1.

This instruction sheet covers assembly (inserting terminals into female connector, installing wire dress cover onto female connector, and mating female connector with header) and disassembly (unmating female connector from header, removing wire dress cover, and extracting terminals) of the female connector.

i **NOTE**
 All numerical values are in metric units [with U.S. customary units in brackets]. Figures are not drawn to scale.

Reasons for re-issue of this instruction sheet are provided in Section 4, REVISION SUMMARY.

1. ASSEMBLY PROCEDURE

1.1. Insert Terminals

1. Crimp the terminals according to the applicable application specification given in Figure 1.
2. Before inserting any terminals, make sure that the TPA is in the pre-set (as shipped) position as shown in Figure 2. If the TPA is not in the pre-set position, alternately insert the tip of a small screwdriver into the TPA slots, and move the TPA from the housing to the dimension given in Figure 2. Do not remove the TPA from the housing.
3. Grasp the terminal approximately 20 mm [.78 in.] behind the wire barrel, and align the terminal with the desired circuit cavity of the connector. Refer to Figure 3, Detail A for orientation of each terminal.
4. Insert the terminal into the circuit cavity until there is an audible click. *Lightly*, pull the wire to ensure that the terminal is held in place.
5. Repeat steps 3 and 4 for the remaining terminals.

USCAR is a trademark.

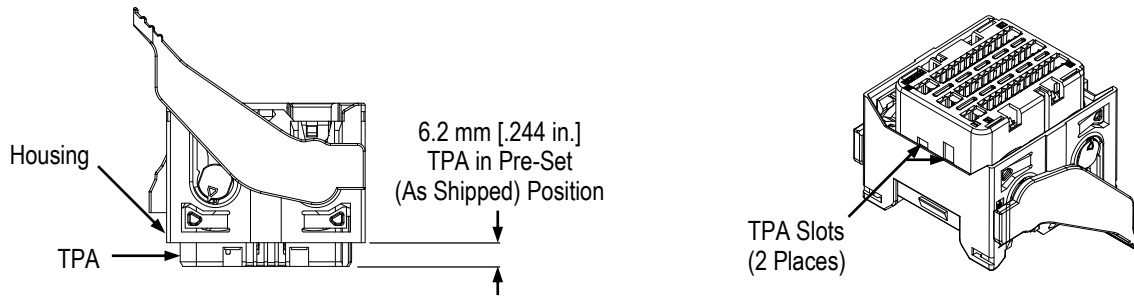


Figure 2

- After all terminals are inserted, hold the connector at the wire end, and evenly press the TPA into the housing to the dimension given in Figure 3, Detail B. There will be an audible click when the TPA is fully seated.


NOTE

If the TPA does not fully seat, move the TPA to the pre-set position (refer to step 1), ensure that all terminals are fully inserted, then fully seat the TPA.

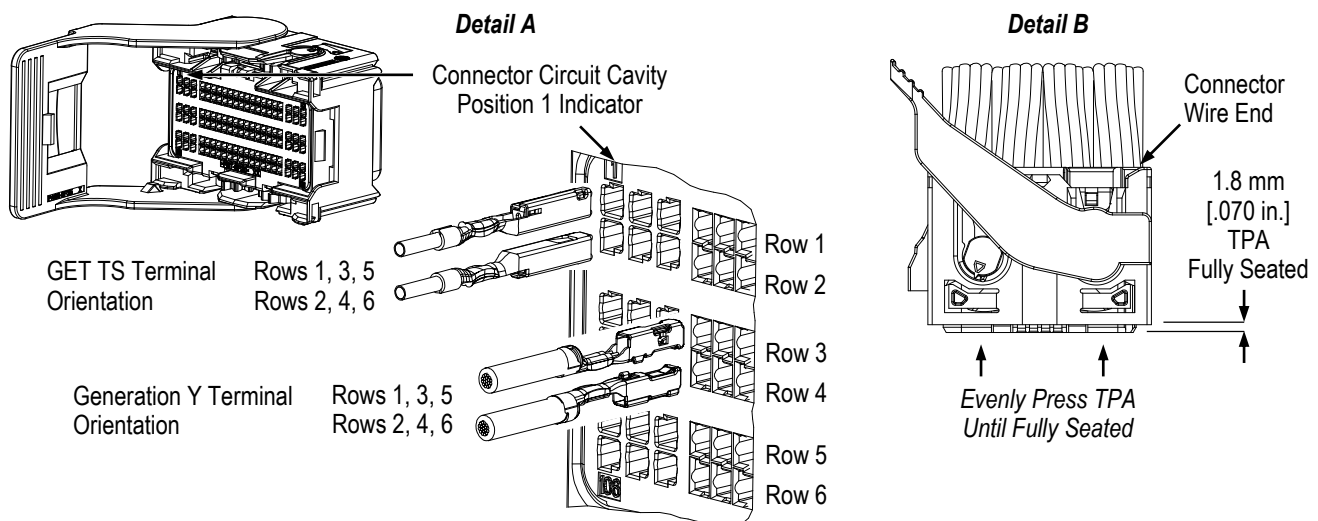


Figure 3

1.2. Install Wire Dress Cover

A. Vertical Exit

- Position the wire dress cover over the wire end of the connector so that the back tabs align with the housing back slots. Bundle the wires in the exit. Refer to Figure 4, Detail A.
- Tilt the wire dress cover slightly, and insert the back tabs into the housing back slots as shown in Figure 4, Detail A.
- Rotate the wire dress cover until the front tab enters the connector front slot and there is an audible click. Confirm that the back tabs are secure in the back slots. See Figure 4, Detail B.

B. Right-Angle Exit

- Position the wire dress cover over the wire end of the connector so that the front tab aligns with the connector front slot and the back tab aligns with the connector back slot. Bundle the wires in the exit. Refer to Figure 4, Detail A.
- Evenly press the wire dress cover onto the connector until the front tab enters the front slot, the back tab enters the back slot, and there is an audible click from each. See Figure 4, Detail B.

Installing Wire Dress Cover

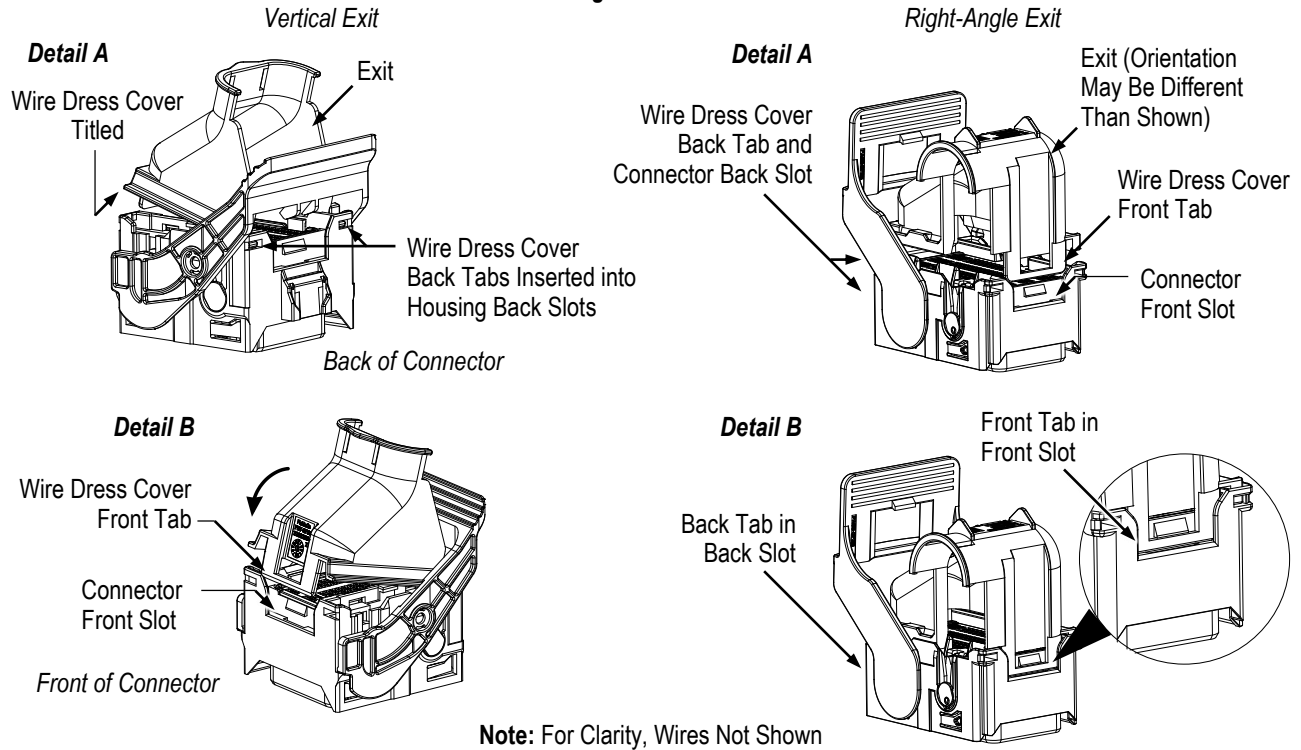


Figure 4

1.3. Mate Female Connector with Header

1. Ensure that the mating lever is in the pre-set position as shown in Figure 1.
2. Align the mating face of the connector with the port of the header, seat the connector onto the header, then push it until there is an audible click. The mating lever will move to the pre-stage position as shown in Figure 5, Detail A.
3. For the 90-way connector, rotate the mating lever away from the wire dress cover exit until it latches onto the connector.

For the 126-way connector, rotate the mating lever toward the wire dress cover exit until it latches onto the wire dress cover. See Figure 5, Detail B.

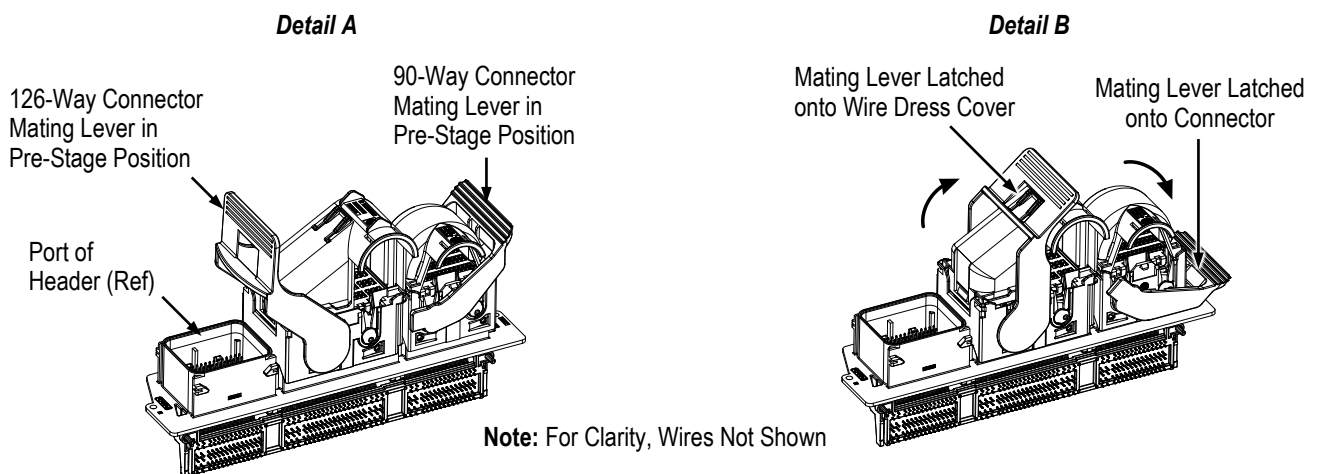


Figure 5

2. DISASSEMBLY

2.1. UnMate Female Connector from Header

1. Press the latch holding the mating lever (shown in Figure 5), and rotate the mating lever until it stops.
2. Evenly lift the connector from the header.

2.2. Remove Wire Dress Cover

1. Insert the tip of a screwdriver between the wire dress cover front tab and connector front slot (shown in Figure 4), then rotate the screwdriver until the tab releases from the slot.
2. For the vertical exit wire dress cover, rotate the wire dress cover until the back tabs release from the housing back slots, then remove the wire dress cover.

For the right-angle exit wire dress cover, repeat step 1 for the back of the wire dress cover, then remove the wire dress cover.

2.3. Remove Terminal

1. Alternately insert the tip of a small screwdriver into the TPA slots (shown in Figure 2), and move the TPA to the pre-set position; then remove it from the housing. Retain the TPA.
2. Push the wire of the terminal to be removed into the circuit cavity until it stops (this will maximize the clearance between the circuit cavity latch and top of terminal).
3. Hold the wire in place and, from the mating face of the connector, insert the tip of removal tool [3-1579007-6](#) into the circuit cavity so that it is located between the circuit cavity latch and the top of the terminal. See Figure 6, Detail A. *Gently* push the tool and rotate it toward the terminal to deflect the circuit cavity latch. See Figure 6, Detail B.
4. Holding the tool in place, *gently* pull the wire until the terminal is free from the housing.



CAUTION

To avoid damage to the terminal, do not pull the wire until the circuit cavity latch is deflected.



NOTE

Do not re-use a terminal after removal.

5. Re-install the TPA as described in step 2 of Paragraph 1.1.
6. If desired, insert a new terminal as described in Paragraph 1.1.

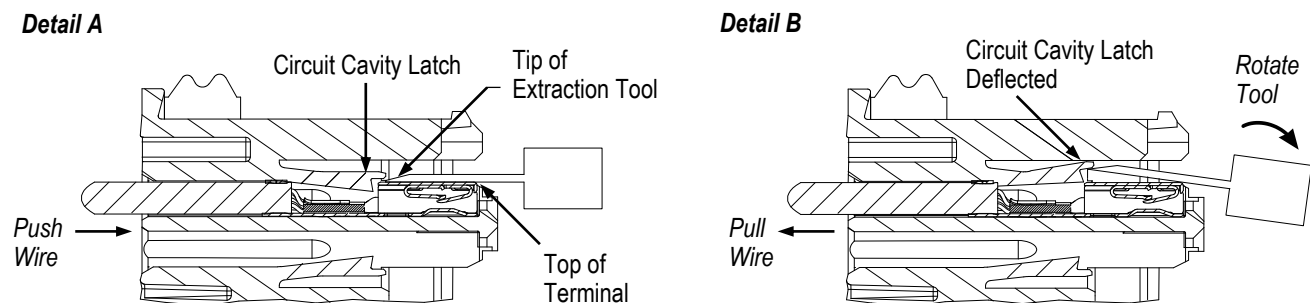


Figure 6

3. REPLACEMENT AND REPAIR

Do not use defective or damaged product. The connector, wire dress cover, and terminals cannot be repaired.

4. REVISION SUMMARY

Revisions to this instruction sheet include:

- Corrected connector part numbers Figure 1